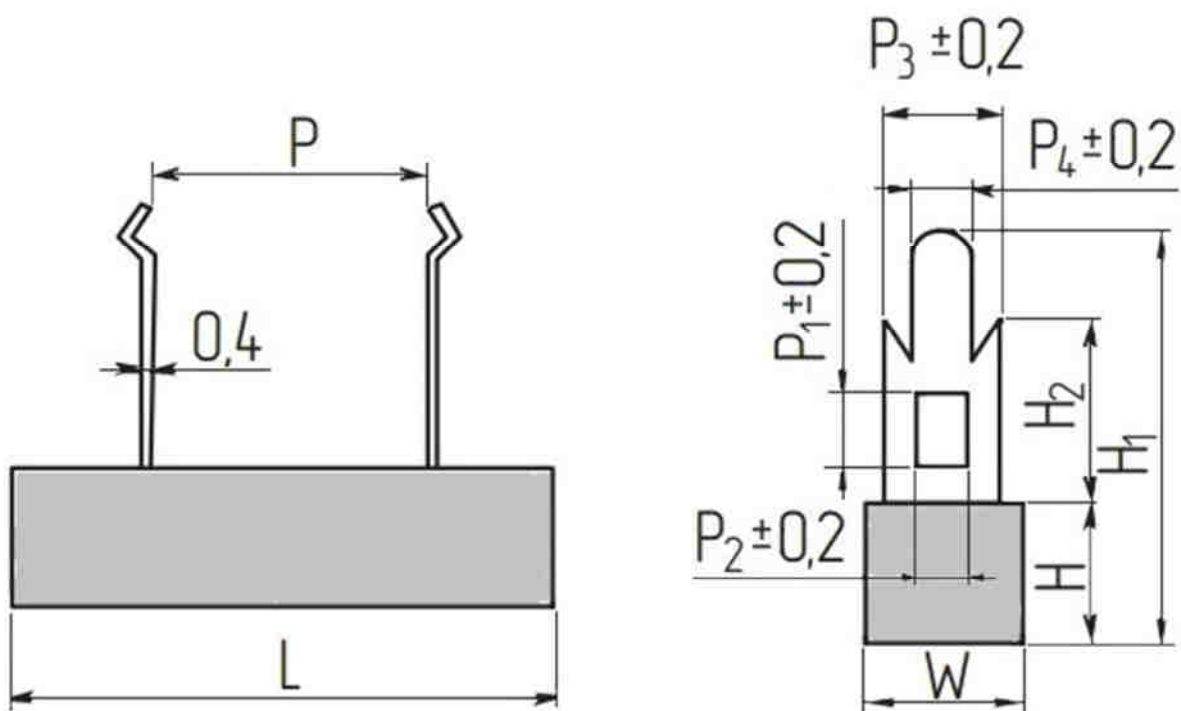
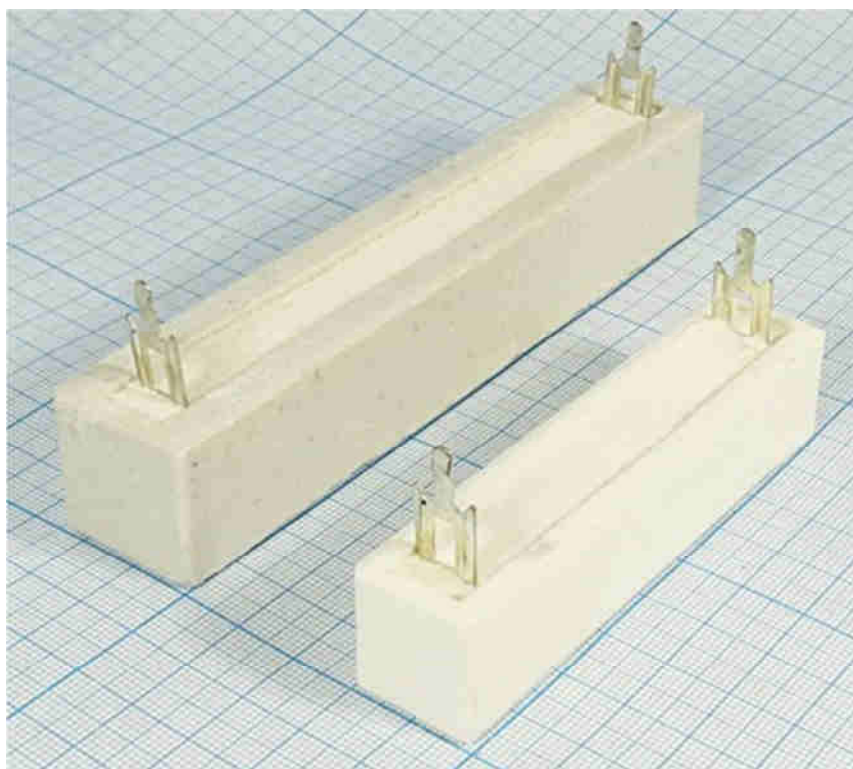


ПРОВОЛОЧНЫЕ РЕЗИСТОРЫ В КЕРАМО-ЦЕМЕНТНОМ КОРПУСЕ СЕРИИ SQZ.



ГАБАРИТНЫЕ РАЗМЕРЫ

Type	Dimension (mm)										Resistance Range (Ω)	
	L \pm 1.5	W \pm 1	H \pm 1	P \pm 1.5	P1	P2	P3	P4	H1 \pm 1	H2 \pm 1	SQZ	RS+SQZ
5W	25(28)	10	10	9.5(15)	4.2	2	5	1.5	25	10.5	0.1-130	131-50K
7W	36	10	10	20	4.2	2	5	1.5	25	10.5	0.1-430	431-50K
10W	48	10	10	32	4.2	2	5	1.5	25	10.5	0.2-470	471-50K
15W	48	12.5	12	32	4.2	2	5	1.5	26	10.5	1-600	601-150K
20.25W	60	15	13	42	7	6	10	2.7	36	15.0	1-1K	1.1K-150K
30.40W	75	19	19	57	7	6	10	3	36	15.0	1-1K	
50W	90	19	19	67	7	6	10	3	60	30.0	1-1K	
100W	133	24.6	24	112.5	6.2	3.4	10	3	41	10.0	1-1K	

ЭЛЕКТРИЧЕСКИЕ ХАРАКТЕРИСТИКИ

Test Items	Condition	Spec.
Operating Temp.	-30°C~155°C	
Resistance Temp. Coeff.	-30°C~155°C	\pm 300PPM / °C
Short Time Overload	10 times of rated voltage for 5 sec.	\pm 2 %
Temp. Cycle	-30°C~85°C for 5 cycles	\pm 1 %
Load Life	70°C on-off cycle 1,000 hrs.	\pm 5 %
Moisture-Proof Load Life	40°C 95% RH on-off cycle 1,000 hrs.	\pm 5 %
Solder Pot	270°C for 3 sec.	\pm 1 %
Incombustibility	16 times of rated wattage for 5 min.	not flamed

