



TDA7053A

LINEAR INTEGRATED CIRCUIT

STEREO BTL AUDIO OUTPUT AMPLIFIER WITH DC VOLUME CONTROL

■ DESCRIPTION

The UTC **TDA7053A** is stereo BTL output amplifiers with DC volume control and specially is designed for use in TV and monitors, but are also suitable for battery-fed portable recorders and radios.

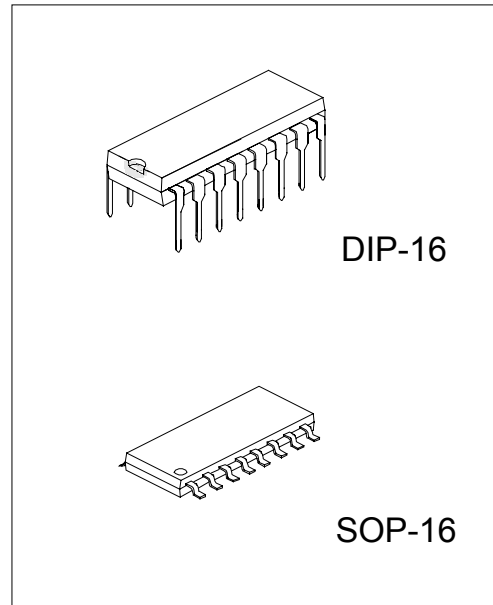
Different packages are supplied for different output power, DIP-16 for 2×1W and SOP-16 for 2×0.5W.

■ FEATURES

- * DC volume control
- * Few external components
- * Mute mode
- * Thermal protection
- * Short-circuit proof
- * No switch-on and switch-off clicks
- * Good overall stability
- * Low power consumption
- * Low HF radiation
- * ESD protected on all pins.

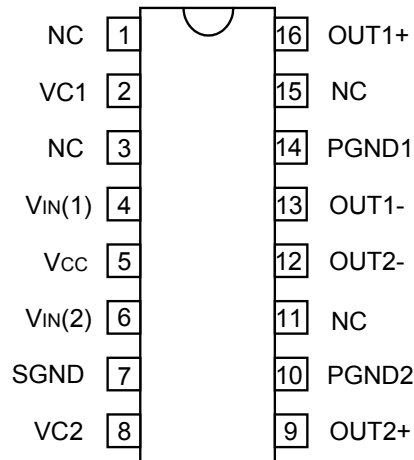
■ ORDERING INFORMATION

Order Number		Package	Packing
Normal	Lead Free Plating		
TDA7053A-D16-T	TDA7053AL-D16-T	DIP-16	Tube
TDA7053A-S16-R	TDA7053AL-S16-R	SOP-16	Tape Reel
TDA7053A-S16-T	TDA7053AL-S16-T	SOP-16	Tube



*Pb-free plating product number: TDA7053AL

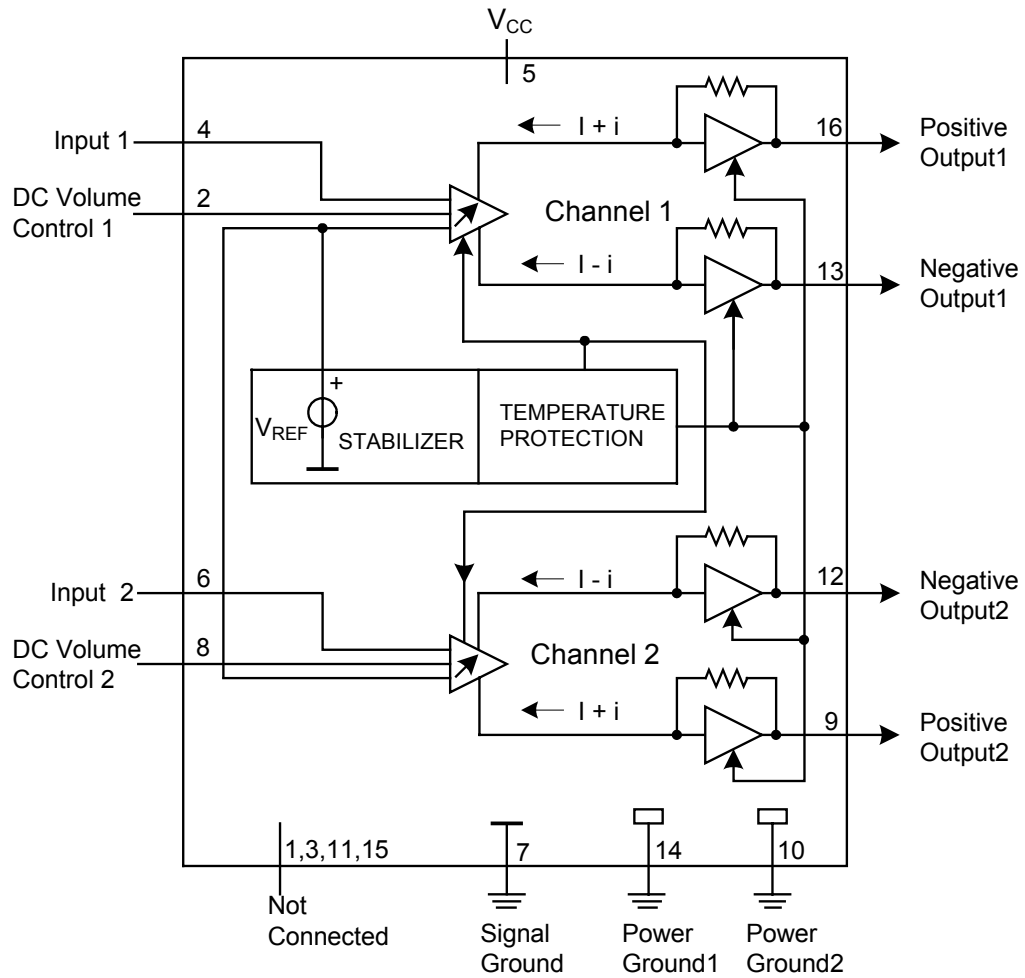
■ PIN CONFIGURATION



■ PIN DESCRIPTION

PIN NO.	SYMBOL	DESCRIPTON
1	NC	No connection
2	VC1	DC volume control 1
3	NC	No connection
4	V _{IN} (1)	Voltage input 1
5	V _{CC}	Positive supply voltage
6	V _{IN} (2)	Voltage input 2
7	SGND	Signal ground
8	VC2	DC volume control 2
9	OUT2+	Positive output 2
10	PGND2	Power ground 2
11	NC	No connection
12	OUT2-	Negative output 2
13	OUT1-	Negative output 1
14	PGND1	Power ground 1
15	NC	No connection
16	OUT1+	Positive output 1

■ BLOCK DIAGRAM



■ ABSOLUTE MAXIMUM RATINGS

PARAMETER	SYMBOL	RATINGS	UNIT
Supply Voltage	V _{CC}	18	V
Repetitive Peak Output Current	I _{ORM}	1.25	A
Non- Repetitive Peak Output Current	I _{OSM}	1.5	A
Total Power Dissipation (Ta = 25 °C)	DIP-16	2.5	W
	SOP-16	1.32	W
Short-Circuit Time	T _{SC}	1	hr
Input Voltage Pins 2, 4, 6 and 8	V _{IN}	5	V
Junction Temperature	T _J	+125	
Operating Ambient Temperature	T _{OPR}	-20~+85	
Storage Temperature	T _{STG}	-40~+150	

Note 1. Absolute maximum ratings are those values beyond which the device could be permanently damaged.

Absolute maximum ratings are stress ratings only and functional device operation is not implied.

2. The device is guaranteed to meet performance specification within 0 °C ~ +70 °C operating temperature range and assured by design from -20 °C ~ +85 °C.

■ THERMAL DATA

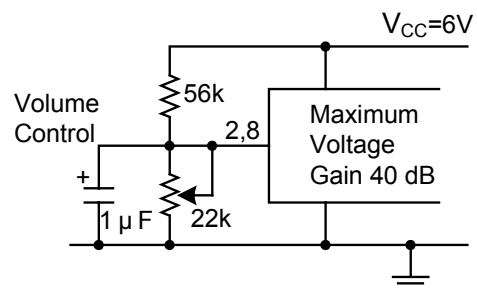
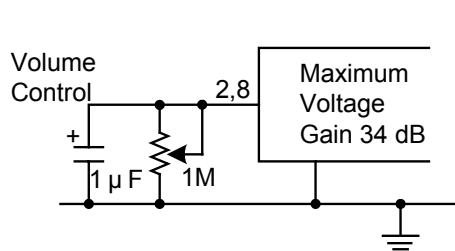
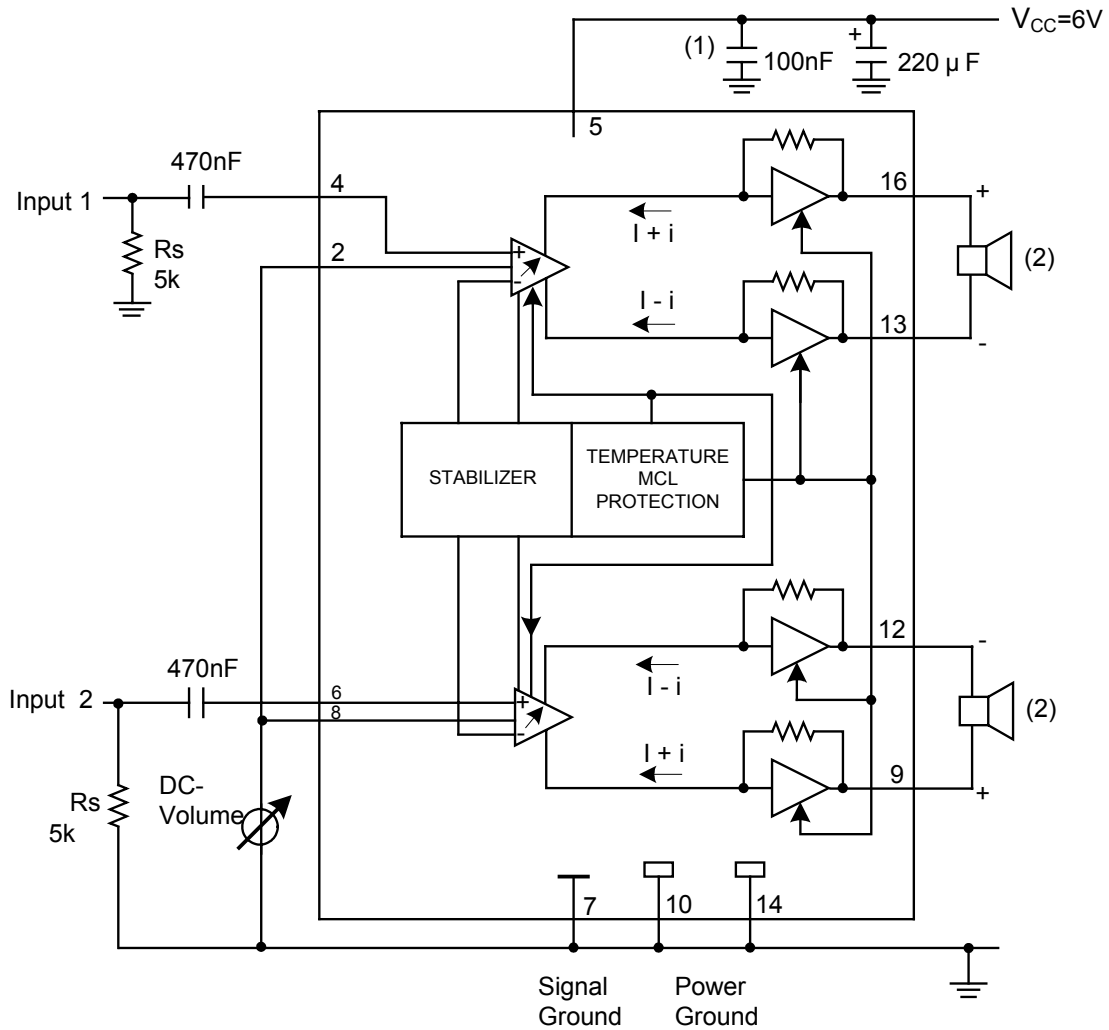
PARAMETER	SYMBOL	RATINGS	UNIT
Thermal Resistance From Junction To Ambient In Free Air	DIP-16	50	K/W
	SOP-16	95	K/W

■ ELECTRICAL CHARACTERISTICS (V_{CC}=6V, Ta=25 °C, f_{IN}=1kHz, unless otherwise specified)

PARAMETER	SYMBOL	TEST CONDITIONS	MIN.	TYP.	MAX.	UNIT
Supply Voltage	V _{CC}		4.5		18	V
Total Quiescent Current (Note)	I _Q	V _{CC} =6V, R _L =∞		22	25	mA
Maximum Gain: V_{2,8} ≥ 1.4 V						
Output Power	DIP-16	P _{OUT} THD=10%, R _L =8Ω	1.0	1.1		W
	SOP-16		0.5	0.55		W
Total Harmonic Distortion	DIP-16	THD P _{OUT} =0.5W		0.3	1	%
	SOP-16		P _{OUT} =0.25W		0.3	1
Voltage Gain	G _V		39.5	40.5	41.5	dB
Input Signal Handling (RMS value)	V _{IN(RMS)}	G _v =0dB, THD<1%	1			V
Noise Output Voltage	e _N	f _{IN} =500kHz, R _S =0Ω, BW=5kHz		210		μV
Bandwidth	BW	At-1dB	20Hz ~ 300kHz(TYP.)			Hz
Supply Voltage Ripple Rejection	RR	V _{IN(RMS)} =200mV, R _S =0Ω, f _{IN} =100Hz~10kHz	34	38		dB
DC Output Offset Voltage	V _{O(OFF)}	V ₁₆ -V ₁₃ and V ₁₂ -V ₉		0	200	mV
Input Impedance (pins 4 and 6)	Z _{IN}		15	20	25	kΩ
Channel Separation	α _{CS}	R _S =5kΩ	40			dB
Channel Unbalance	G _V	V _{DC1} = V _{DC2}			1	dB
		G ₁ =0dB, V _{DC1} = V _{DC2}			1	dB
Mute Position: V_{2,8} = 0.4 V ± 30 mV						
Output Voltage In Mute Position	V _{O(MUTE)}	V _{IN} =1.0V, R _S =5kΩ		30	40	μV
DC Volume Control						
Gain Control	G _C		68.5	73.5		dB
Volume Control Current	I _{DC}	V ₂ =V ₈ =0V	-20	-25	-30	μA

Notes: With a load connected to the outputs the quiescent current will increase, the maximum value of this increase being equal to the DC output offset voltage divided by R_L.

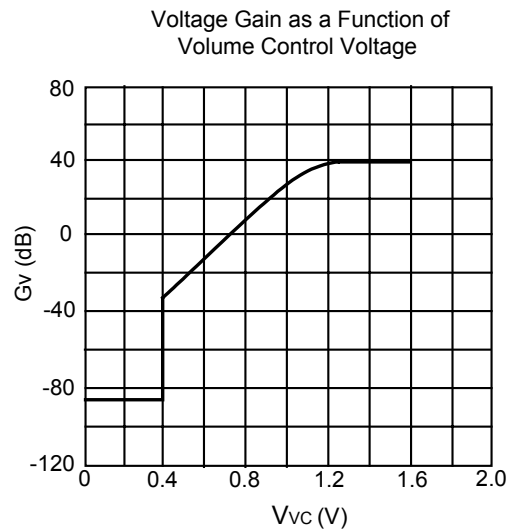
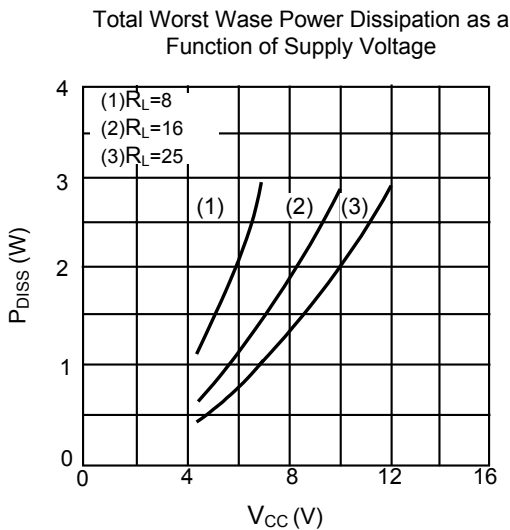
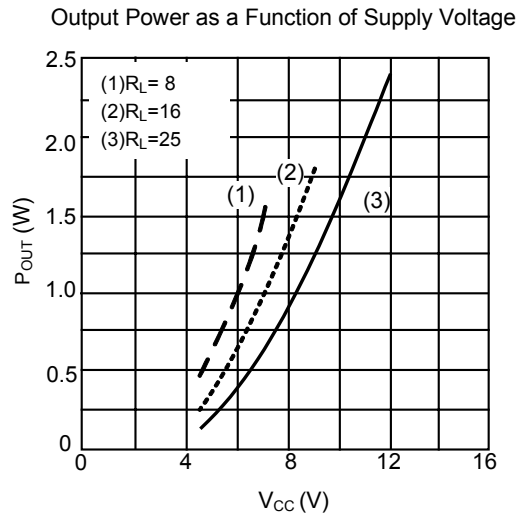
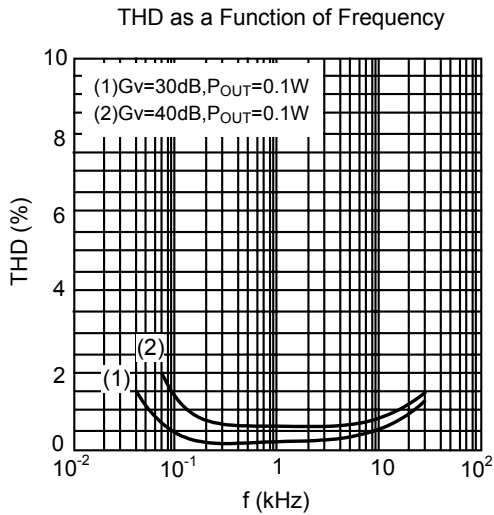
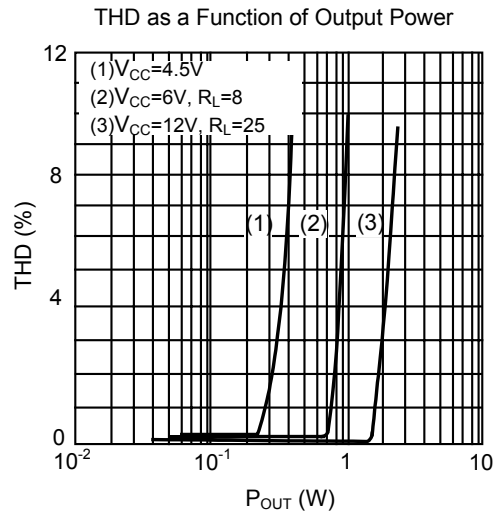
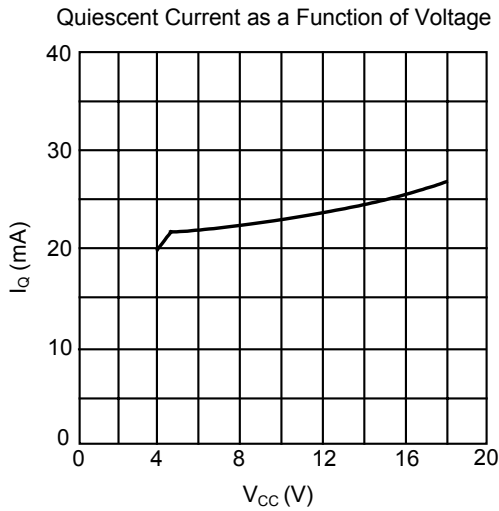
TEST AND APPLICATION DIAGRAM CIRCUITS



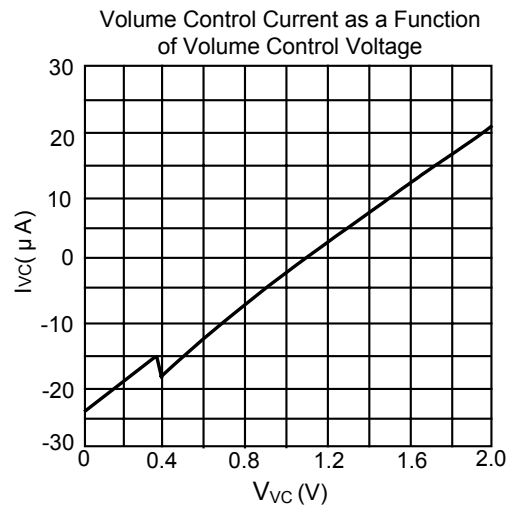
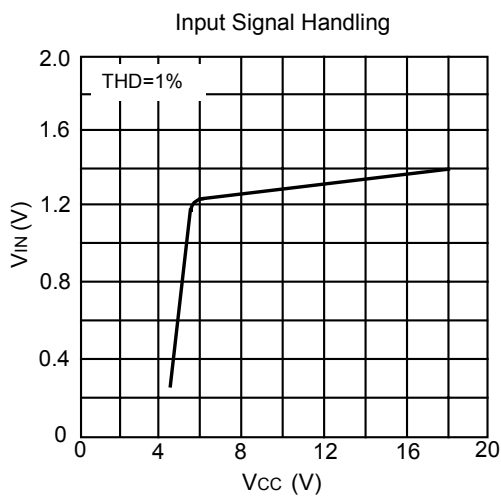
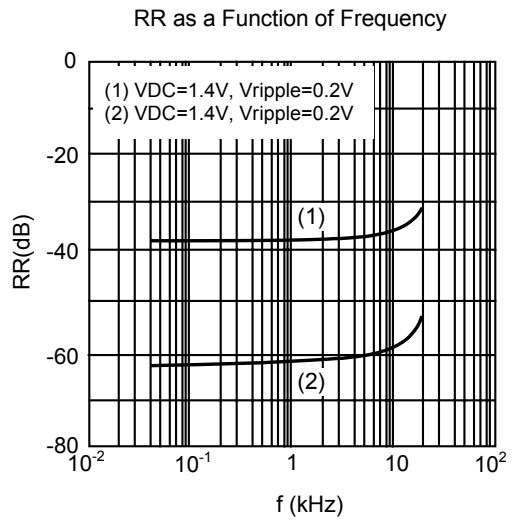
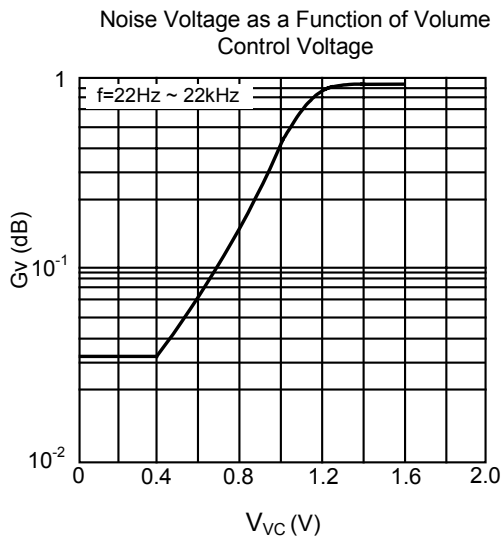
(1) This capacitor can be omitted if the 220 μ F electrolytic capacitor is connected close to pin 5.

(2) $R_L = 8$

TYPICAL CHARACTERISTICS



■ TYPICAL CHARACTERISTICS(Cont.)



UTC assumes no responsibility for equipment failures that result from using products at values that exceed, even momentarily, rated values (such as maximum ratings, operating condition ranges, or other parameters) listed in products specifications of any and all UTC products described or contained herein. UTC products are not designed for use in life support appliances, devices or systems where malfunction of these products can be reasonably expected to result in personal injury. Reproduction in whole or in part is prohibited without the prior written consent of the copyright owner. The information presented in this document does not form part of any quotation or contract, is believed to be accurate and reliable and may be changed without notice.