

3/2-shut-off valve, mechanically operated, Series 652

- Qn 1►2 = 4300-11400 l/min

- Qn 2►3 = 230 l/min



Activation

Working pressure min./max.

Ambient temperature min./max.

Medium temperature min./max.

Medium

Weight

Mechanical

0 ... 16 bar

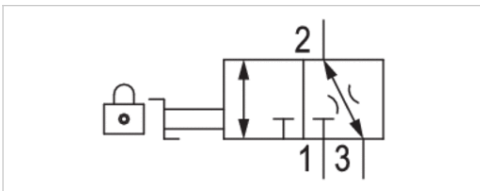
-10 ... 50 °C

-10 ... 50 °C

Compressed air Neutral gases

0,44 kg

The delivered product varies from that in the illustration. See the drawing for an exact description.



Technical data

Part No.	Compressed air connection Input	Port	Flow		Material Silencer
			Qn 1 ► 2	Qn 2 ► 3	
G652A3M02011100	G 1/4	G 1/4	4300 l/min	230 l/min	metal
G652A3M02011200	G 1/4	G 1/4	4300 l/min	230 l/min	Plastic
G652A3M020A0000	G 1/4	G 1/4	4300 l/min	230 l/min	-
G652A3M03011100	G 3/8	G 3/8	8800 l/min	230 l/min	metal
G652A3M03011200	G 3/8	G 3/8	8800 l/min	230 l/min	Plastic
G652A3M030A0000	G 3/8	G 3/8	8800 l/min	230 l/min	-
G652A3M04011100	G 1/2	G 1/2	11400 l/min	230 l/min	metal
G652A3M04011200	G 1/2	G 1/2	11400 l/min	230 l/min	Plastic
G652A3M040A0000	G 1/2	G 1/2	11400 l/min	230 l/min	-

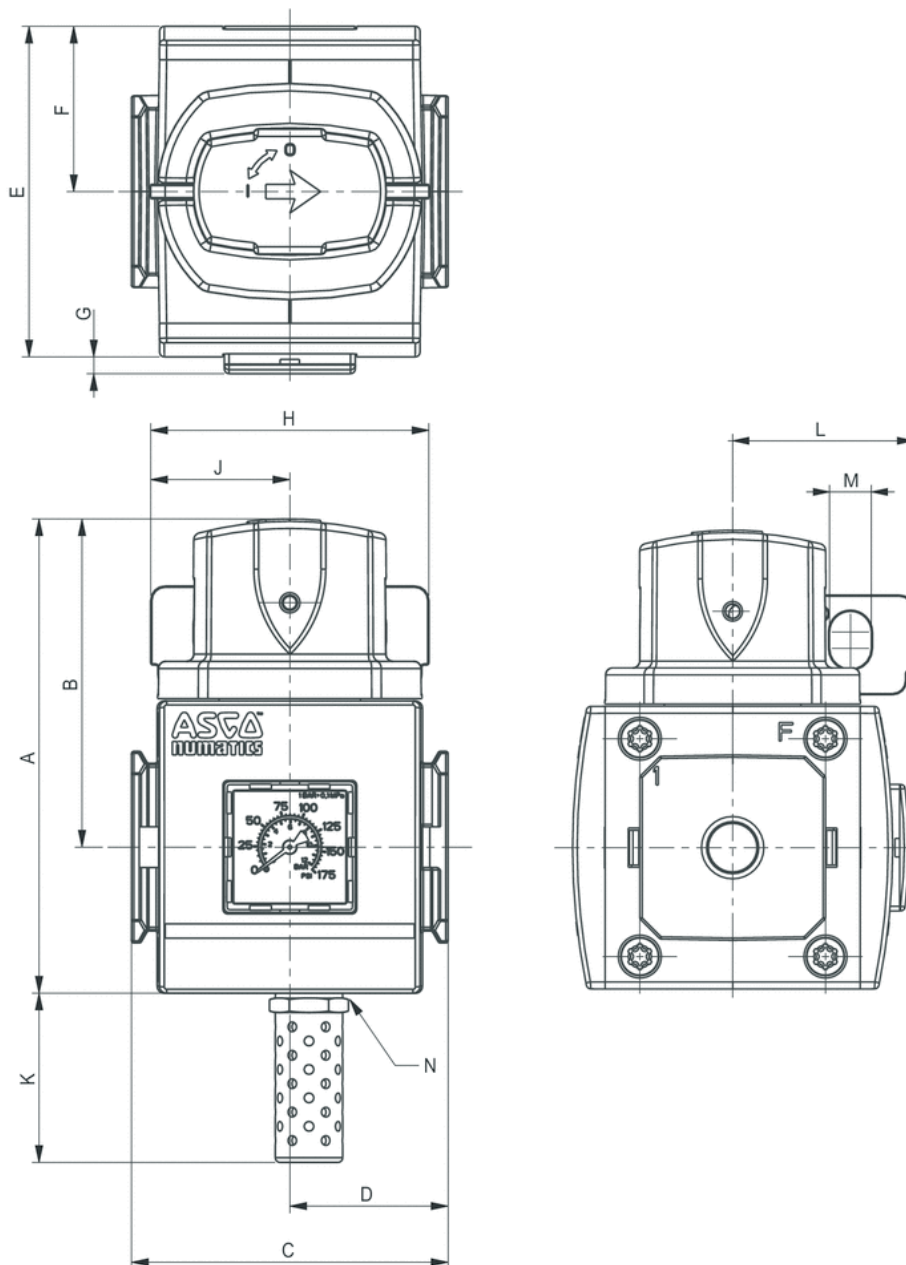
Nominal flow Qn at 6.3 bar and $\Delta p = 1$ bar

Technical information

Material	
Housing	Aluminum
Seals	Nitrile butadiene rubber

Dimensions

Dimensions

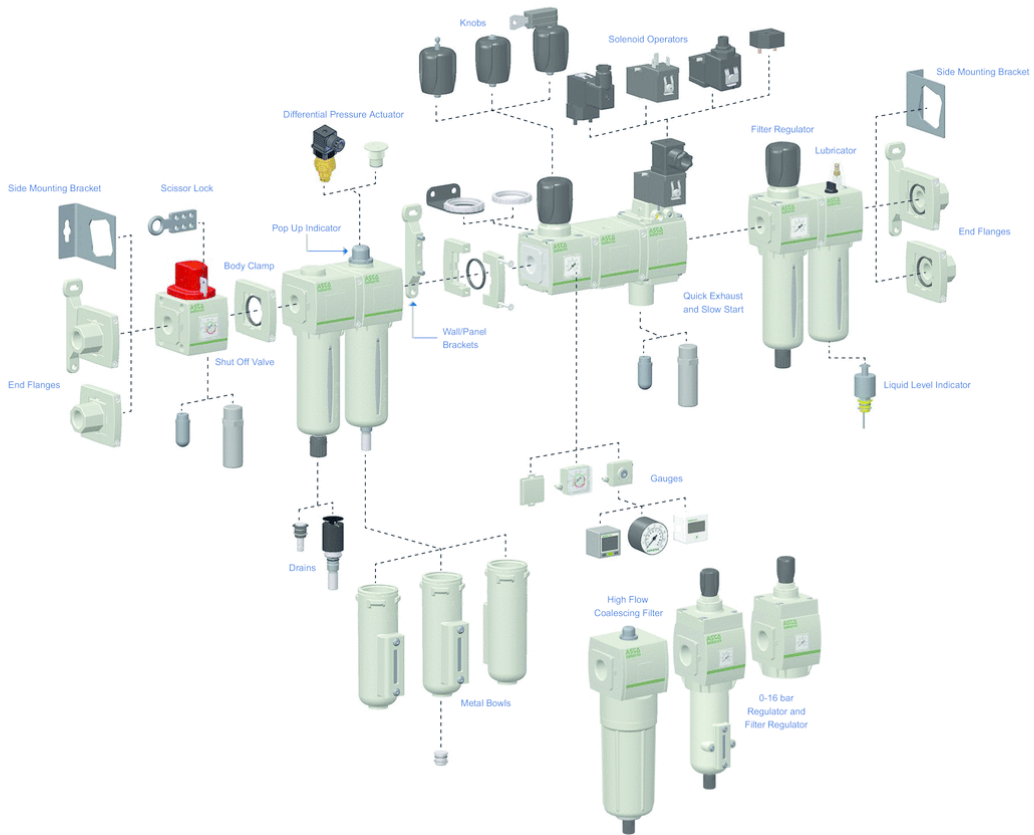


Dimensions

Series	A	B	C	D	E	F	G	H	J	K	L	M	N
652	99	68	66	33	69	34,5	2,5	58	29	35	39	9	G 1/4

Accessories overview

Accessories overview



Ordering information

G 651 A 3 M 0 2 G A00 00

Thread connection

G = ISO 228/1-G ⁽¹⁾
 8 = NPTF

Product series

651
 652
 653

Revision letter

A

Product type

2 = 2/2 - Shut Off Valve
 3 = 3/2 - Shut Off Valve

Valve Type

M = Manually Operated Ball Valve with Lockout

Pilot valve /Electrical connection

0 = No Electrical Connection

Port size

1 = 1/8 (651 Series)
 2 = 1/4 (651 or 652 Series)
 3 = 3/8 (652 Series)
 4 = 1/2 (652 Series)
 5 = 3/4 (653 Series)
 6 = 1 (653 Series)

⁽¹⁾ Conforms to ISO standards 1179-1.

⁽²⁾ [If multiple options are required, please use the on-line CAD configurator on the website to generate the part number \(www.asco.com\).](#)

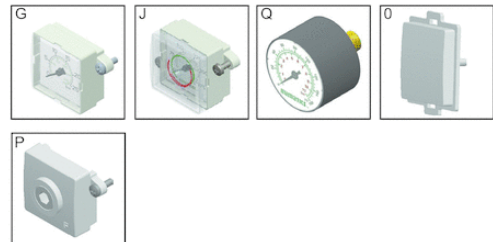
Options ⁽²⁾

- A00 = Without option
- 101 = Side Mounting Brackets
- 109 = FPM seals
- 111 = Metal Muffler
- 112 = Polyethylene Muffler
- 113 = Stainless steel fasteners
- 115 = Scissor Lock
- 117 = ATEX zones 1-21
- 122 = Bottom oriented pressure adjustment
- 123 = Gauge type mounted for right-to-left flow
- 124 = CUTR Certification (EAC)
- 125 = CUTR Ex
- 2B9 = 111 + 115



Gauge type

- G = Low profile integrated gauge bar/PSI
- J = Low profile integrated gauge bar/PSI with pressure range indicators
- Q = Round gauge bar/PSI
- 0 = No gauge port
- P = Port Plate Rc 1/8



Efficient pneumatic solutions, our program: cylinders and drives, valves and valve systems, air supply management



Visit us: [Emerson.com/Aventics](https://www.emerson.com/Aventics)

Your local contact: [Emerson.com/contactus](https://www.emerson.com/contactus)



[Emerson.com](https://www.emerson.com)



[Facebook.com/EmersonAutomationSolutions](https://www.facebook.com/EmersonAutomationSolutions)



[LinkedIn.com/company/Emerson-Automation-Solutions](https://www.linkedin.com/company/Emerson-Automation-Solutions)



[Twitter.com/EMR_Automation](https://twitter.com/EMR_Automation)

An example configuration is depicted on the title page. The delivered product may thus vary from that in the illustration. Subject to change. This Document, as well as the data, specifications and other information set forth in it, are the exclusive property of AVENTICS GmbH. It may not be reproduced or given to third parties without its consent. Only use the AVENTICS products shown in industrial applications. Read the product documentation completely and carefully before using the product. Observe the applicable regulations and laws of the respective country. When integrating the product into applications, note the system manufacturer's specifications for safe use of the product. The data specified only serve to describe the product. No statements concerning a certain condition or suitability for a certain application can be derived from our information. The information given does not release the user from the obligation of own judgement and verification. It must be remembered that the products are subject to a natural process of wear and aging.

The Emerson logo is a trademark and service mark of Emerson Electric Co. Brand logotype are registered trademarks of one of the Emerson family of companies. All other marks are the property of their respective owners. © 2020 Emerson Electric Co. All rights reserved.
2020-12



CONSIDER IT SOLVED™