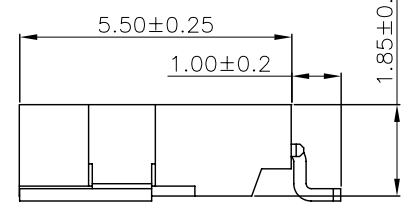
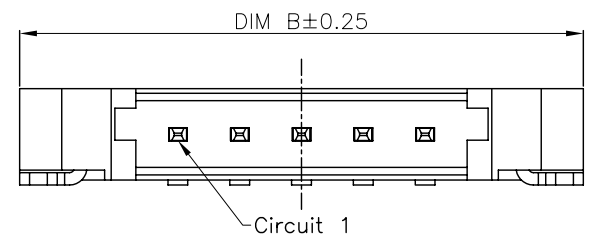
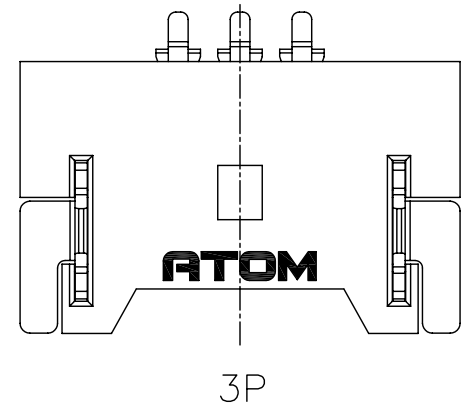
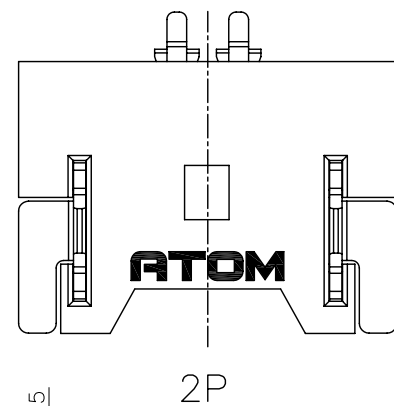
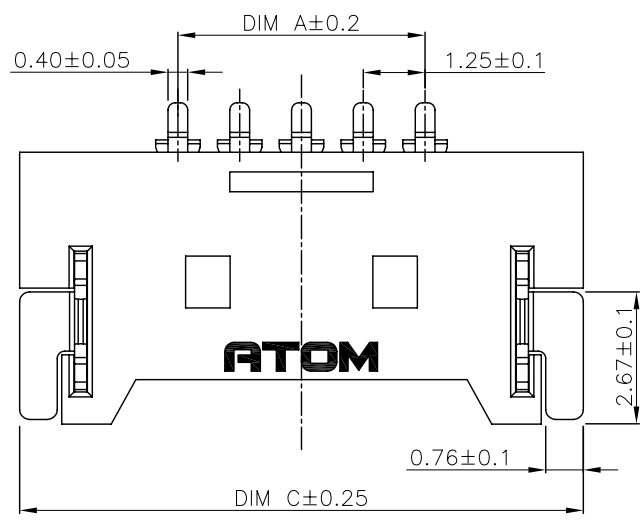


| REV | DATE       | ECN NO. | MODIFICATION | APPROVER |
|-----|------------|---------|--------------|----------|
| A   | 2010/12/06 |         | NEW          | HYQ      |

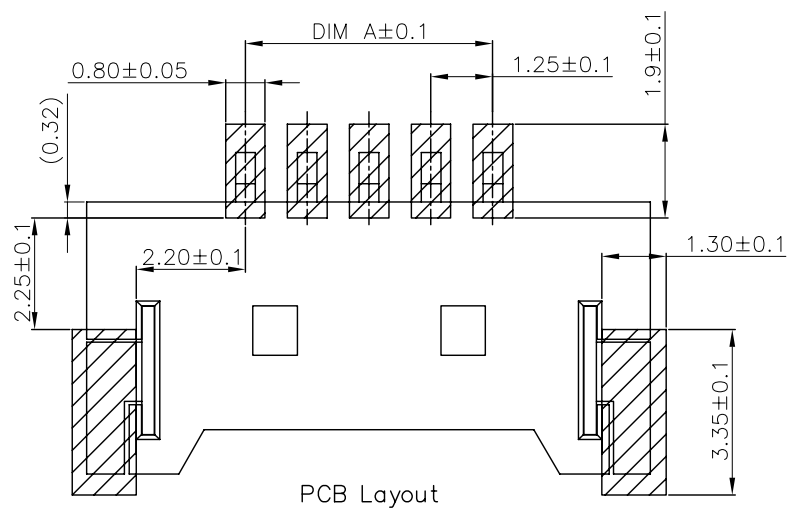


**SPECIFICATION**

**1. Material:**  
Housing: Thermoplastic, UL94V-0, color: Natural.  
Terminal: copper alloy.  
Solder\_Tab: copper alloy.  
Gold plated over nickel plated  
Solder tab: copper alloy.  
Gold plated over nickel plated

**2. Electrical Characteristics:**  
Voltage rating: 125V.  
Current rating: 1.0A.  
Operating Temperature: -25°C ~ +85°C.  
Insulation resistance: 100M ohms min. at 500VDC  
Dielectric withstanding voltage: 500 VAC/1minute.  
Contact resistance: 20m ohms max.

| Pin No. | DIMENSIONS |       |       |
|---------|------------|-------|-------|
|         | DIM.A      | DIM.B | DIM.C |
| 2P      | 1.25       | 7.65  | 7.65  |
| 3P      | 2.50       | 8.90  | 8.90  |
| 4P      | 3.75       | 10.15 | 10.15 |
| 5P      | 5.00       | 11.40 | 11.40 |
| 6P      | 6.25       | 12.65 | 12.65 |
| 7P      | 7.50       | 13.90 | 13.90 |
| 8P      | 8.75       | 15.15 | 15.15 |
| 9P      | 10.00      | 16.40 | 16.40 |
| 10P     | 11.25      | 17.65 | 17.65 |
| 11P     | 12.50      | 18.90 | 18.90 |
| 12P     | 13.75      | 20.15 | 20.15 |
| 13P     | 15.00      | 21.40 | 21.40 |
| 14P     | 16.25      | 22.65 | 22.65 |
| 15P     | 17.50      | 23.90 | 23.90 |
| 20P     | 23.75      | 30.15 | 30.15 |
| 30P     | 36.25      | 42.65 | 42.65 |



|  |          |             |  |                        |                 |  |                     |           |
|--|----------|-------------|--|------------------------|-----------------|--|---------------------|-----------|
| GENERAL TOLERANCE                          | UNITS mm | NAME: Wafer | 深圳市爱特姆科技有限公司<br>SHENZHEN ATOM TECHNOLOGY CO., LTD. |                        |                 |  |                     |           |
| SELECT <input checked="" type="checkbox"/> | TOL      | 1 2 3       | MAT'L  | PART NO: WF125**-03*** |                 | TITLE: 1.25mm Pitch Wafer SMT 贴片(H=1.85mm) |                     |           |
| DN.  |          |             |  | APPD: HYQ              |                 |  | DWG NO. ATOM-A00488 |           |
| X.XXX                                      | ±0.10    | ±0.05       | ±0.15  | FINISH                 | CHKD: Jason_Lee |  |                     |           |
| X.XX                                       | ±0.15    | ±0.13       | ±0.25  |                        | Q'TY            | DR: Aimee                                  |                     |           |
| X.X  | ±0.20    | ±0.25       | ±0.5   | ANGLE ±2°              |                 |  | SCALE 1:1           | SHEET 1/1 |