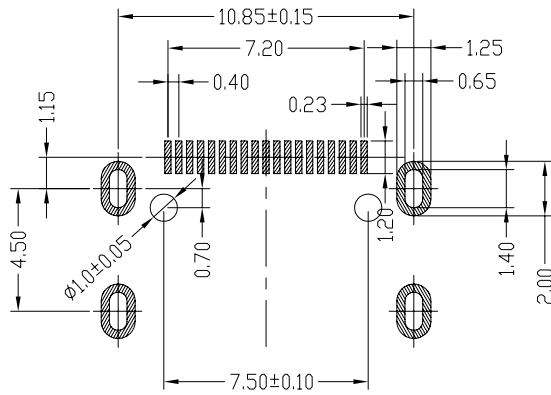
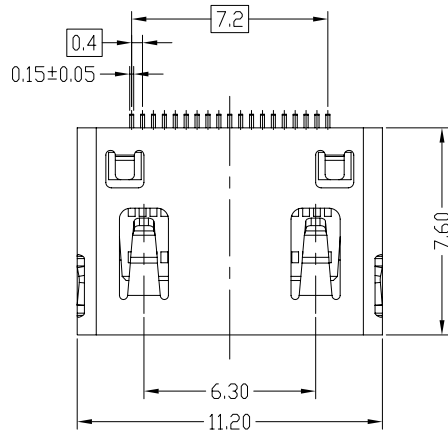
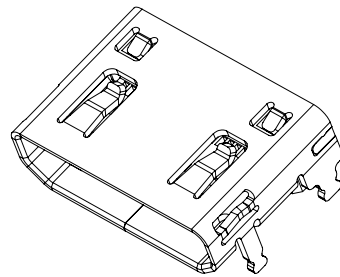
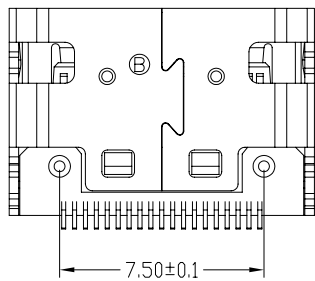
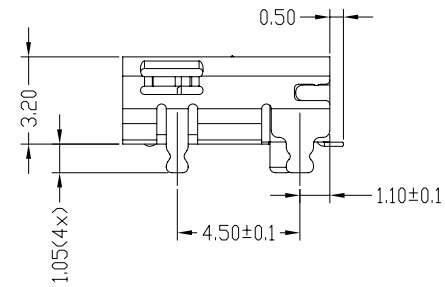
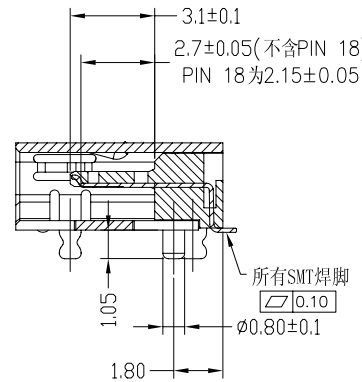
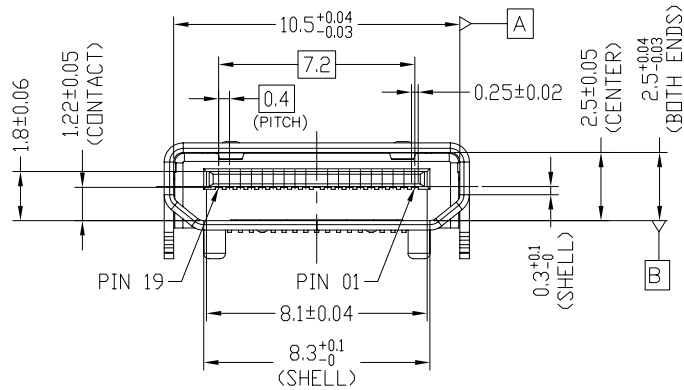


REV	DATE	ECN NO.	MODIFICATION	APPROVER
A	2012/07/24		NEW	Jason
B	2013/10/18	RD00313101801	外壳凸点位置移动	Jason

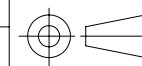


PCB Layout

- Material:
 - Insulator: Termoplastic, UL94V-0,color:black.
 - Terminal: Phosphor Bronze,
Tin/Gold plated over nickel plated (50~80 u" min)
 - Shell: Brass.
Tin/Gold plated over nickel plated (50~80 u" min)
- Mechanical and Electrical performance:
 - Mating Cycles: 5000 cycles(speed:100 cycles/h).
 - Rating current:0.5A Max.
 - Insulation resistance: 100MΩ Min. at 500 V DC.
 - Terminal contact resistance: 30mΩ Max.
 - Withstanding voltage:500V AC at 1mA Max. for 1 minute.
- Environment performance.
 - Operating temperature: -25℃~ +85℃
 - Storage temperature: -5℃~ +35℃



GENERAL TOLERANCE				UNITS	NAME:		ATOM [®] 深圳市爱特姆科技有限公司		
SELECT	✓			mm	MINI HDMI MOLDING TYPE		SHENZHEN ATOM TECHNOLOGY CO.,LTD.		
DN.	TOL.	1	2	3	PART NO:		TITLE:		
X.XXX	±0.10	±0.05	±0.15		HD219F-3D05*00		MINI HDMI MOLDING TYPE		
X.XX	±0.15	±0.13	±0.25		APPD: Jason_Lee		DWG NO. ATOM-A01481		
X.X	±0.20	±0.25	±0.5		CHKD: Vicky				
X.	±0.30	±0.38	±1.00		DR: XH				
ANGLE	±2°								



SCALE	SHEET	REV
1:1	1/1	B