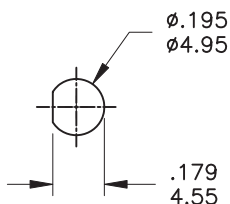
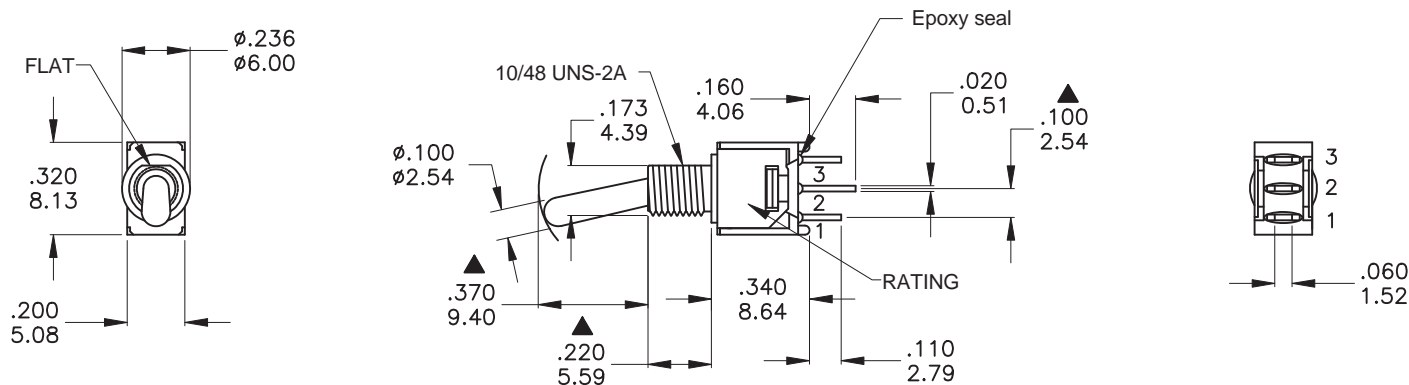
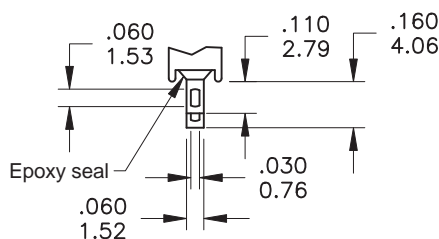


本公司智慧財產，未經同意不得複製  
 DAILYWELL copyright, may not be used  
 without permission from DAILYWELL



PANEL MOUNTING



SOLDER LUG

Model No.	POS.1	POS.2	POS.3
	2MS1	ON	NONE
Term. Comm.	2-3	N/A	2-1
SCHEMATIC		N/A	

SWITCH FUNCTION

	PART NO.	PART NAME	Q'TY
1	MNU-2M01	10-48 INCH NUTS	2
2	MNU-2M03	LOCKWASHER	1

FILE NAME:HARDWARE-0003



**SPECIFICATIONS**

**MECHANICAL LIFE:** 30,000 make-and-break cycles.  
**CONTACT RESISTANCE:** 20 mΩ max. initial @ 2-4VDC  
 100mA for both silver and gold plated contacts.  
**INSULATION RESISTANCE:** 1,000 MΩ min.  
**DIELECTRIC STRENGTH:** 1,000 Vrms min. @sea level.  
**OPERATING TEMPERATURE:** -40°C to 85°C.

(A)

**MATERIALS**

**CASE** - Diallyl phthalate(DAP)( UL94V-0 )  
**ACTUATOR** - Brass,chrome plated  
**BUSHING** - Brass,nickel plated  
**HOUSING** - Stainless Steel  
**TERMINALS/CONTACT** - Copper alloy.  
**RoHS & Lead Free**

	CONTACT PLATING	TERMINAL PLATING	RATINGS
Q	Silver	Silver	3 Amps @120 VAC or 28VDC
C	Gold over Silver	Gold over silver	1 Amps @250 VAC
R	Gold	Gold	0.4 Volt-Amps(VA) max. @20V max. (AC or DC)

德利威電子股份有限公司  
 DAILYWELL ELECTRONICS CO.,LTD.

	符號	原尺寸	修改後尺寸	變更日期	TITLE 圖名	Sub - Miniature Toggle Switches	SIZE 圖紙	A4
1	(A)		操作溫度-30°C 修訂為-40°C	MAY-25-2018	DWG NO. 圖號	2MS1T1B1M1QES-5	UNIT 單位	inch mm
2	(B)				REV. 版本	B	DATE 日期	AUG - 25 - 2009
3	(C)				CHECKED BY 審核	陳燈財	DRAWN BY 製圖	IRENE
4	(D)							
5	(E)							

SCALE (比例) : 3 : 2

TOLERANCE (公差) :  
 0.00 mm ± 0.25mm  
 0.0 mm ± 0.40mm  
 ANGULAR : ± 2.54 mm  
 FILE NAME : 2MSP0628