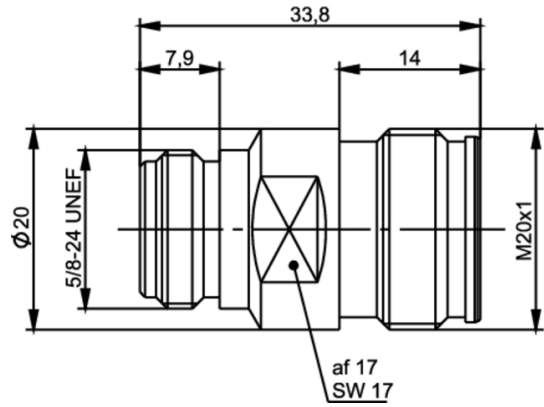


order number: J01027A0026

Adaptor N to 4.3-10, f-f



Technical Attributes	
Remarks	f-f
Return Loss	40 dB/1 GHz; 35 dB/4 GHz; 28 dB/6 GHz