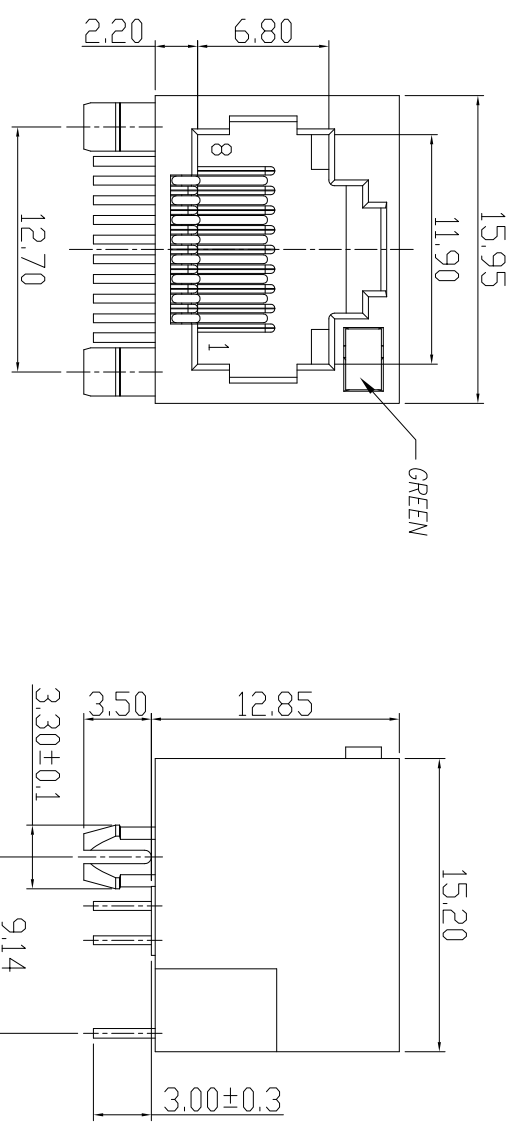
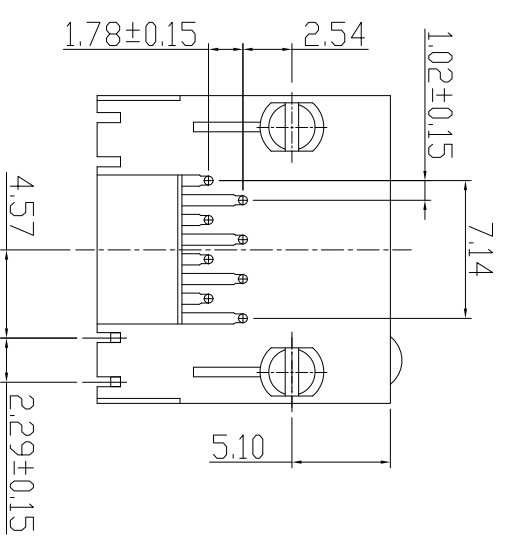


CATEGORY	DESCRIPTION	P/N #
CONNECTOR	RJ45 8P8C 全塑右边带单绿灯	MJ5688-XX11-HPRNL D

REV.	ECN NO	DESCRIPTION	REVISED	DATE
A01	—	New Release	XSY	2015.05.13
A02	—	增加产品颜色选项	XHY	2017.09.22
A03	—	增加产品颜色选项	XHY	2018.04.24



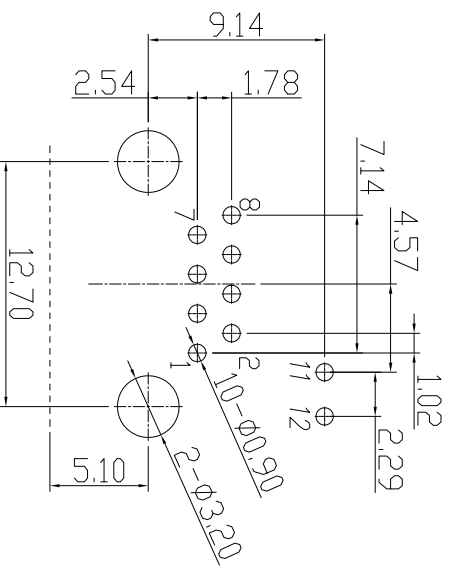
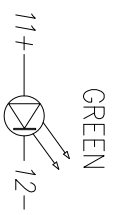
- SPECIFICATION**
- VOLTAGE RATING: 150 VAC RMS.
 - CURRENT RATING: 1.5 AMP
 - CONTACT RESISTANCE: 40 mΩ MAX
 - INSULATION RESISTANCE: 500MΩ MIN.
 - WITHSTAND VOLTAGE: AC1000V RMS 60s.
 - OPERATING TEMPERATURE: -40°C~+80°C



MJ5688-XX11-HPRNL D

X	Terminal Plating
0	Au 1u" Plating
1	Au 3u" Plating
2	Au 6u" Plating
3	Au 15u" Plating

X	Housing Color	Housing Material
B	Black	PBT UL94V-0
U	Blue	
Y	Yellow	
G	Gray	
W	White	
1	Black	
2	Blue	PA9T UL94V-0
3	Yellow	



Recommend PCB Layout
(Jack Top View)
Tolerance: ±0.05mm
Recommend PCB Thickness: 1.6mm

c	LED	1	GREEN
b	TERMINAL	8	PHOSPHOR BRONZE Ø0.46mm
a	HOUSING	1	SEE TABLE 1 UL94V-0
NO.	PART NAME	QTY	MATERIAL

	Tin PLATING	
	SEE TABLE 2	
	SEE TABLE 1	
	PLATING & COLOR	Remark

UNLESS OTHERWISE SPECIFIED TOLERANCES
DECIMALS: ANGLES:
X :±0.5 X :±2
XX :±0.3 XX :±1*
XXX :±0.2

SCALE: 1/1 UNIT: mm DWG. NO: WI-061-132

APPROVED BY: XSY CHECKED BY: XSY PREPARED BY: XSY

DICK: XSY

东莞市合陵电子有限公司
DongGuan Heling Electronic Co.,LTD

CUSTOMER COPY