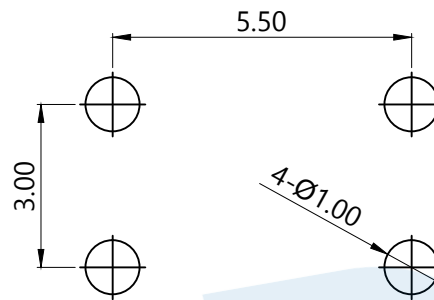
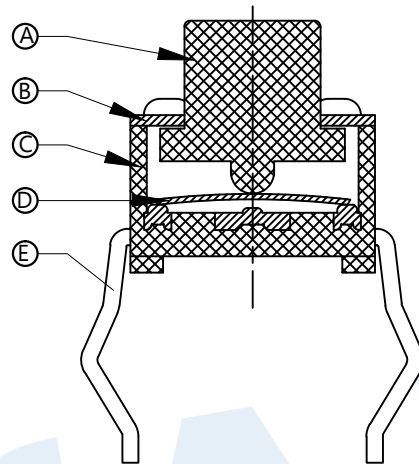
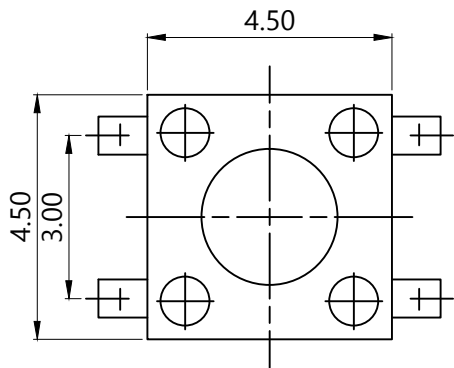


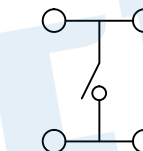
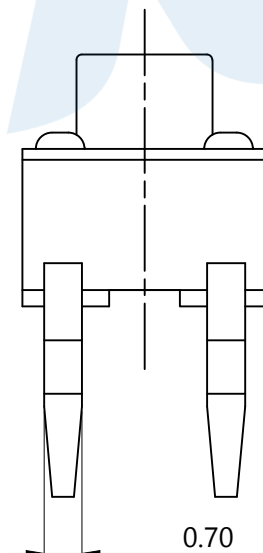
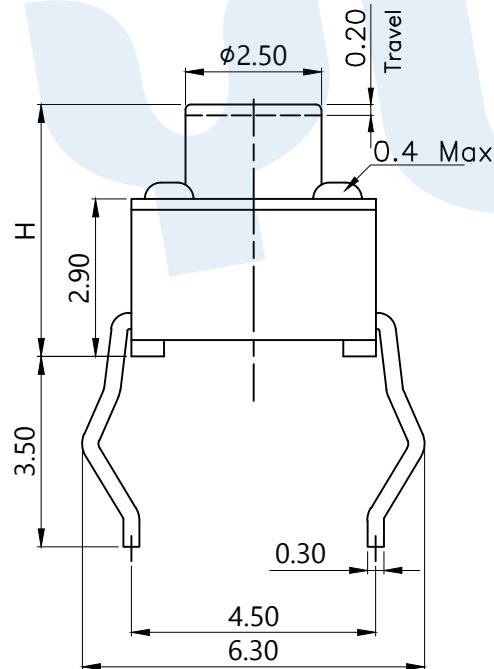
RoHS



PCB Layout(Pattern Side)

SHRAPNEL	
CODE	MATERIAL/QTY
D2	SUS/1PCS
D4	SUS/2PCS

OPERATING FORCE	
CODE	VIGOR
B1	120±30gf
B2	180±30gf
B3	250±30gf



Circuit diagram

TOTAL HEIGHT			
CODE	H	CODE	H
A1	3.5	A8	6.5
A2	3.8	A9	7.0
A3	4.3	A10	7.5
A4	4.5	A11	8.0
A5	5.0	A12	9.0
A6	5.5	A13	10
A7	6.0		

NO.	Name	Number	Qty	Materil	Remarks
⑤	Terminal		4	Brass	Silvering
④	Reed		1	SUS	Silver covered
③	Base		1	PA66	Black
②	Cover		1	SPCC	Nickel Plating
①	Keystoke		1	PA66	Black

YUANDI® Yuandi Electronics Co, Ltd

design	date	name	TACT SWITCHS
Review	date		
Approved	date	name	TS-1091-A□B□-D□

Drawing number: Proportion 1:1 unit mm gage number A4

modify Review Approved Tolerance not specified