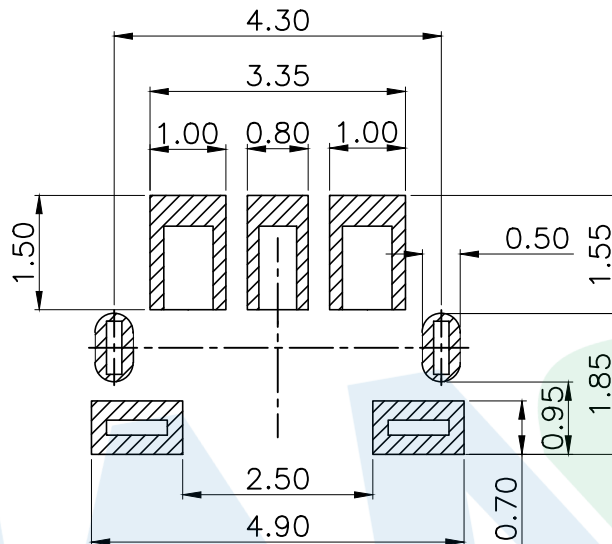
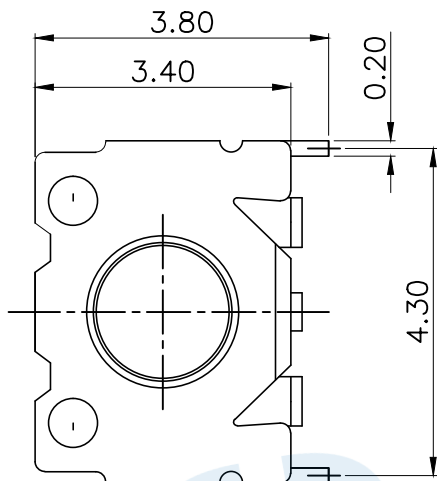
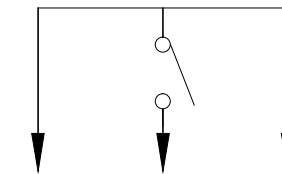


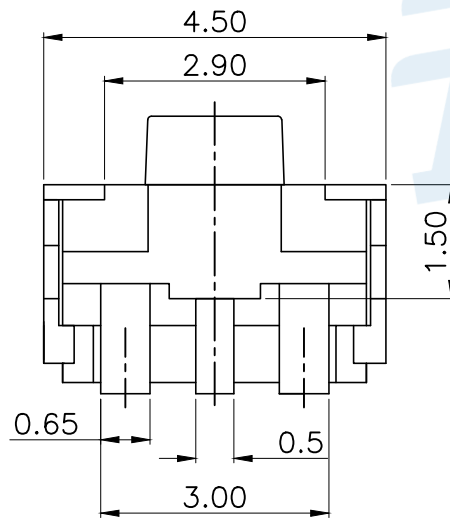
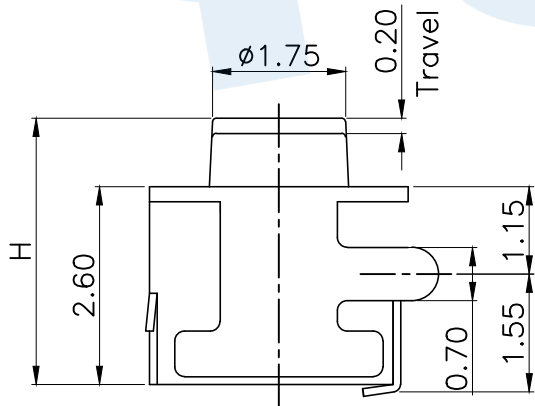
RoHS



PCB Layout(Pattern side)



Circuit Diagram



TOTAL HEIGHT	
CODE	H
A1	3.5
A2	6.0
A3	6.4

SHRAPNEL	
CODE	MATERIAL/QTY
D2	SUS/1PCS
D4	SUS/2PCS

OPERATING FORCE	
CODE	VIGOR
B2	180±30gf
B3	250±30gf

Ⓔ	Dust film		1	Polyimide tape	
Ⓔ	Terminal		3	Phosphorus bronze	Silvering
Ⓓ	Reed		2	SUS	Silver covered
Ⓒ	Button		1	LCP	White
Ⓑ	Cover		1	Phosphorus bronze	Silvering
Ⓐ	Base		1	LCP	Black
NO.	Name	Number	Qty	Materil	Remarks

YUANDI® Yuandi Electronics Co, Ltd

design	date	name	TACT SWITCHS
Review	date		
Approved	date	name	TS-1069-A□B□-D□