

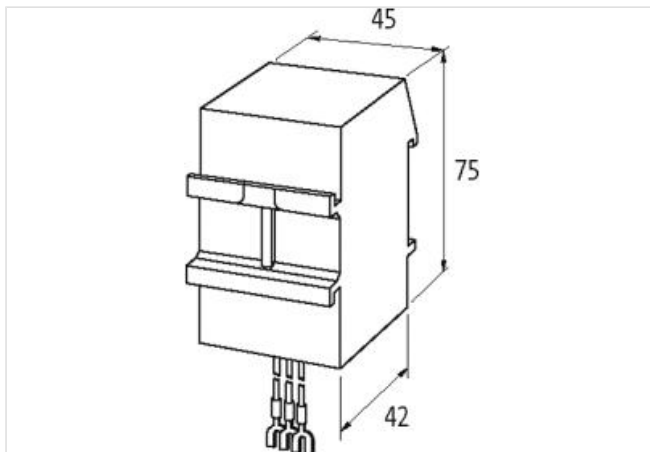
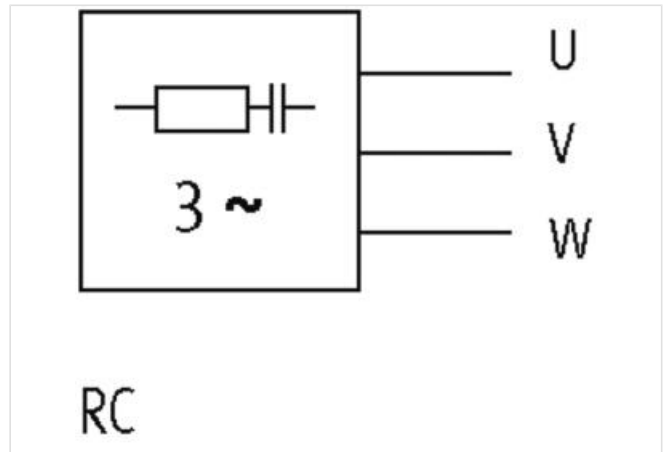
MOTOR SUPPRESSOR

RC, 3x400VAC/4kW

3× 400 V AC

RC

Suppressors for other voltages, frequencies, and motor ratings available on request. Do not use RC motor suppressors with frequency inverters.

[Link to Product](#)**Illustration**

Product may differ from Image

**Technical Data**

Frequency	50...60 Hz
Input voltage	400...400 V AC
Material	Flame retardant plastic acc. to (UL 94)
Potting compound	2-component epoxy

General data

The information in this brochure has been compiled with the utmost care.

Liability for the correctness completeness and topicality of the information is restricted to gross negligence. Version: 2023-03-17

Murrelektronik GmbH | Falkenstr. 3 | 71570 Oppenweiler | Fon +49 (71 91) 47-0 | Fax +49 (71 91) 47-491000 | shop@murrelektronik.com | shop.murrelektronik.com

Temperature range	-20...+60 °C
Connection	approx. 250 mm, single cores 0.5 mm ² , with self-securing fork terminal ends M4
Dimensions H×W×D	75×45×42 mm
Product article number of manufacturer	23004