



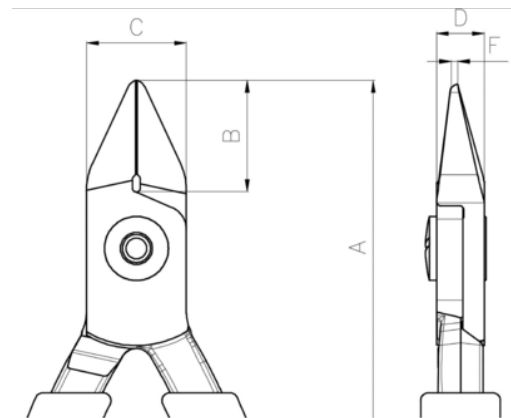
**C3330**

**Compact Side Cutting Pliers with  
Orange PVC Handle**



## PRODUCT DETAILS




- With tapered head
- Flush cut
- Orange PVC handles
- Screw joint that minimizes friction and maximizes jaw alignment
- Internal return spring with limited opening to prevent user hand fatigue
- High performance alloy steel
- Natural finish
- CNC machine grinding guarantees edge angle accuracy
- ISO 9654
- IP: Industrial pack



**Follow the Fish!**



## PRODUCT ATTRIBUTES

Product	<b>A</b>	<b>B</b>	<b>C</b>	<b>D</b>	<b>F</b>			
<b>C3330</b>	115 mm	11,7 mm	12,5 mm	6 mm	0.8 mm	0,3-1,6 mm	Flush	66 g
<b>C3330IP</b>	115 mm	11,7 mm	12,5 mm	6 mm	0.8 mm	0,3-1,6 mm	Flush	66 g

**Follow the Fish!**

