

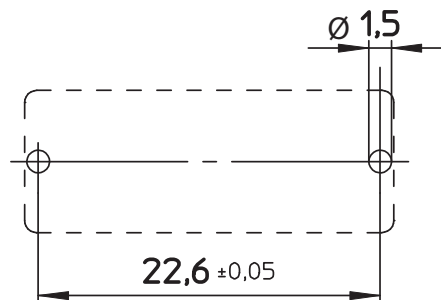
1

2

3

4

5



PCB LAYOUT - COMPONENT VIEW

## TECHNICAL CHARACTERISTICS

MATERIAL  
 INSULATOR: PA6/66  
 FLAMMABILITY RATING: UL94V0  
 COLOR: GREEN  
 CONTACT / PLATING: COPPER ALLOY / Ni+Sn

ENVIRONMENTAL  
 OPERATING TEMPERATURE: -30°C UP TO +120°C  
 COMPLIANCE: LEAD FREE AND ROHS

ELECTRICAL	UL	VDE
CURRENT RATING:	20A	6,3A
WORKING VOLTAGE:	250VAC	250VAC
WITHSTANDING VOLTAGE:	1,5KV	1,5KV
RATED POWER ACCEPTANCE:	---	1,6W
PROTECTION CLASS:	I o II	
CONTACT RESISTANCE:	5/10 mΩ MAX	

## STANDARD

CERTIFIED: E157417

CAT. N°: PTF/78

CERTIFIED: 129302

TYPE: PTF/78

## MECHANICAL

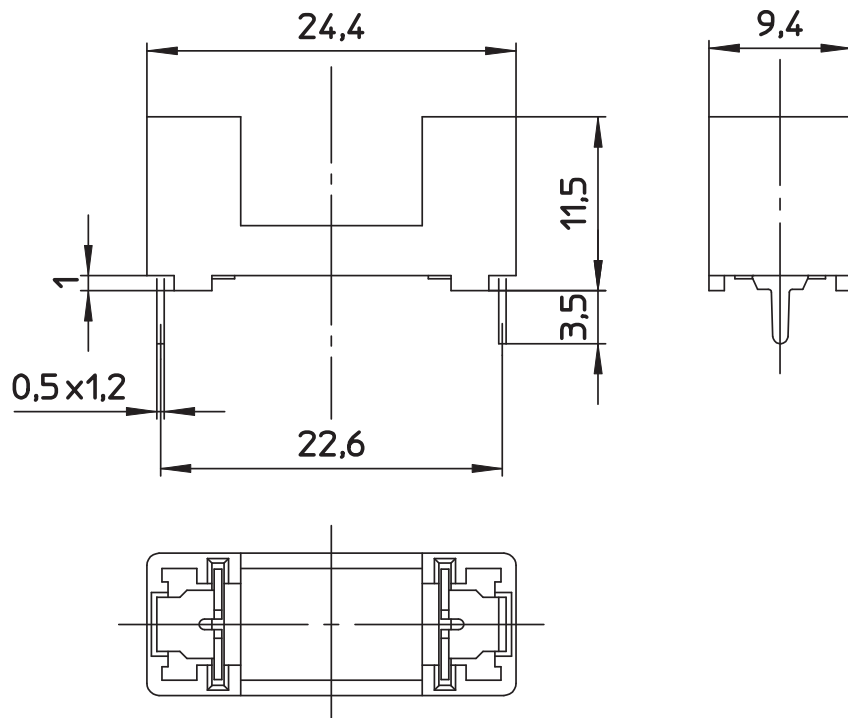
FUSE-LINK: 5x20 mm  
 PROTECTION RATE: IP00  
 SHOCKSAFE CATEGORY: PC1

## SOLDERING

JEDEC LEAD FREE WAVE SOLDERING

## PACKAGING

BOX



RoHS Compliant

G				PROJECTION: 	GENERAL TOLERANCE  ±0,1	 WÜRTH ELEKTRONIK	DESCRIPTION: FUSEHOLDER BLOCKS - PCB - CLIP COVER - THT - WR-FSH	SIZE <b>A4</b>
F								
E								
D	14-MAR-17	CURRENT RATING	AK	APPROVAL: FBr	UNIT: MM	WERI PART NO: 696 108 003 002		
C	30-JUN-15	SHOCKSAFE	AK		SCALE:			
B	01-APR-15	PROTECTION RATE	QL		SHEET: 1/2			
A	11-SEP-14	PDF	AK		DRAW: AK			
REV	DATE	FILE	BY					

1

2

3

4

5

## Cautions and Warnings:

This electronic component is designed and developed with the intention for use in general electronics equipments.

Before incorporating the components into any equipments in the field such as aerospace, aviation, nuclear control, submarine, transportation, (automotive control, train control, ship control), transportation signal, disaster prevention, medical, public information network etc. where higher safety and reliability are especially required or if there is possibility of direct damage or injury to human body, Würth Elektronik must be asked for a written approval.

In addition, even electronic component in general electronic equipments, when used in electrical circuits that require high safety, reliability functions or performance, the sufficient reliability evaluation-check for the safety must be performed before by the user before usage.

A

B

C

RoHS Compliant

G				PROJECTION: 	GENERAL TOLERANCE .X = +/- 0.2 .XX = +/- 0.15	 <b>WÜRTH ELEKTRONIK</b>	
F							
E							
D							
C				APPROVAL: JC	UNIT: MM	DESCRIPTION: DISCLAIMER	SIZE <b>A4</b>
B					SCALE:		
A	10-SEP-14	PDF	QL		SHEET: 2/2	WERI PART NO: DISCLAIMER	
REV	DATE	FILE	BY		DRAW: QL		

D

# Mouser Electronics

Authorized Distributor

Click to View Pricing, Inventory, Delivery & Lifecycle Information:

[Wurth Elektronik:](#)

[696108003002](#)