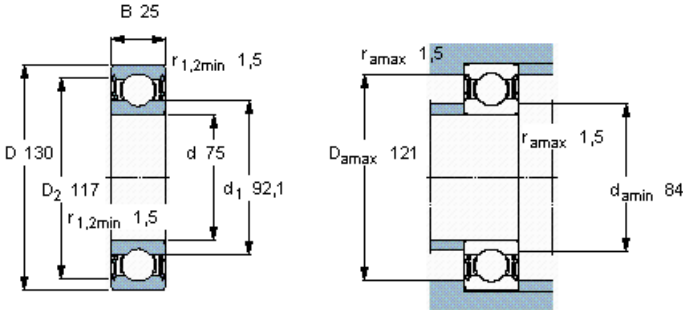


### Deep groove ball bearings, single row

Principal dimensions			Basic load ratings		Fatigue load limit $P_u$	Speed ratings		Mass	Designation
d	D	B	dynamic	static		Reference speed	Limiting speed		
mm			kN	$C_0$	kN	r/min		kg	* - SKF Explorer bearing
75	130	25	68,9	49	2,04	-	3200	1,20	6215-2RS1 *



**Calculation factors**

$k_r$  0,025  
 $f_0$  15