

645/844

Vocal Element for KombiSIGN 70+71



- Plays customer specific audio files in mp3 format (tones, songs and spoken texts)
- Easy programming via USB connection cable from PC
- Excellent sound quality
- More than 60 minutes replay capacity
- Positive and negative logic possible
- Adjustable sound output

TECHNICAL SPECIFICATIONS:

Dimensions (Diameter x Height):	71.5 mm x 110 mm
Housing:	PC
Current consumption:	400 mA
Operating voltage:	24 V
Total recording time:	up to 60 minutes
Number of sequences recordable:	15
Programming:	via USB connection cable from PC
Sound output:	adjustable
Number of additionally signal elements:	max. 3
Assembly includes USB connection cable.	

ORDER SPECIFICATIONS:

	24 V =	
KombiSIGN 71	645 840 55	
KombiSIGN 70	844 840 55	

Available from 2nd Quarter 2007.

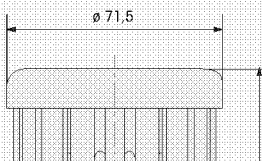
ACCESSORIES:

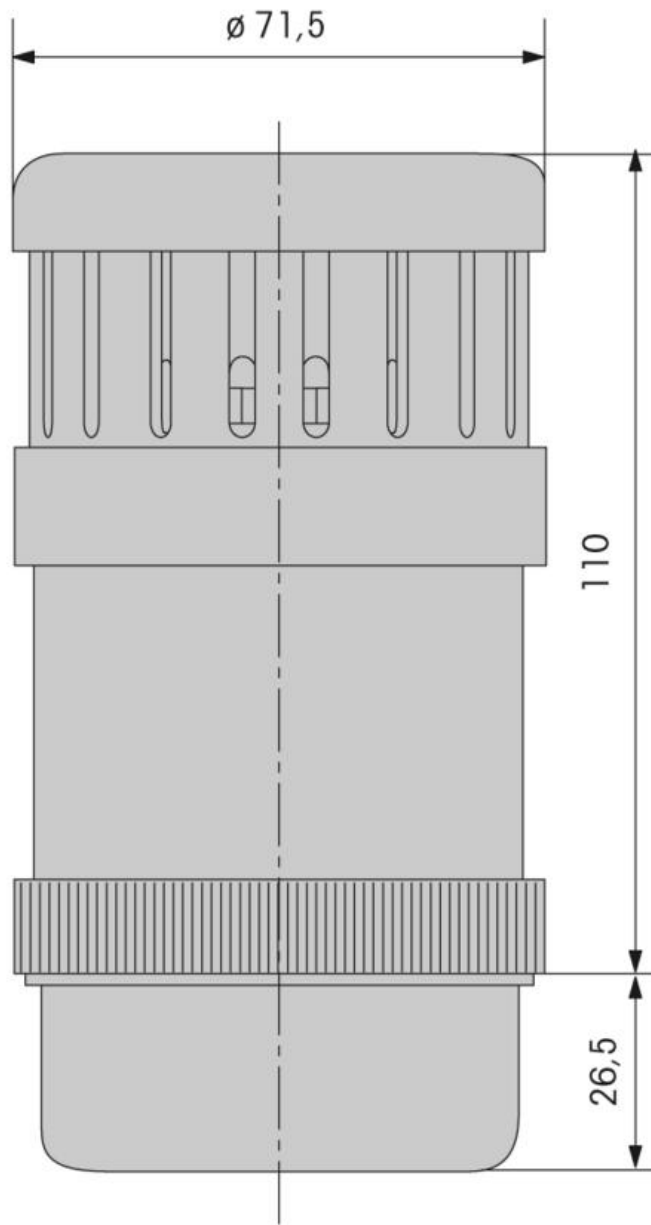
Headset with microphone **960 645 01**

Individual texts can be recorded via the headset with microphone directly on to the PC (accessory, specific version may vary from photo)



The new vocal element can be combined with up to 3 signal elements.





Picture can differ from product

©2008 WERMA. All rights reserved

The content (text, images, graphics, sound files, animation files, video files and their arrangement) of WERMA Web sites is subject to copyright and other intellectual property protection provisions. Some WERMA Web sites may contain also images that are subject to the copyright of their providers. The content of the Web sites may neither be copied for commercial use or distribution nor may these objects be modified or re-posted on other web sites without WERMA prior written permission.

We are grateful about suggestions, errors and comments on our website.