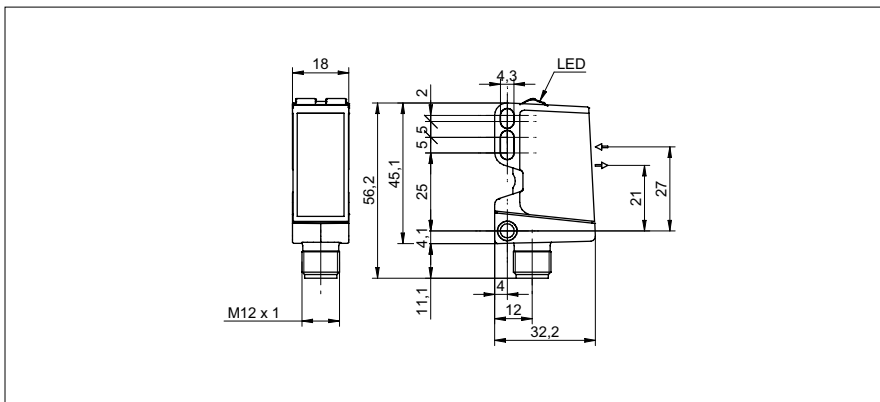


## Retro-reflective sensors

O500.RR-11096091

## dimension drawing



## general data

|                                     |                         |
|-------------------------------------|-------------------------|
| type                                | retro-reflective sensor |
| light source                        | pulsed red LED          |
| actual range $S_b$                  | 7,5 m                   |
| nominal range $S_n$                 | 8 m                     |
| polarization filter                 | yes                     |
| light indicator                     | LED yellow              |
| power on indication                 | LED green               |
| sensitivity adjustment              | no                      |
| wave length                         | 630 nm                  |
| suppression of reciprocal influence | yes                     |
| alignment optical axis              | $< 1^\circ$             |

## electrical data

|                                    |               |
|------------------------------------|---------------|
| response time / release time       | $< 0,49$ ms   |
| voltage supply range +Vs           | 10 ... 30 VDC |
| current consumption max. (no load) | 40 mA         |
| current consumption typ.           | 30 mA         |
| voltage drop $V_d$                 | $< 3$ VDC     |
| output function                    | dark operate  |
| output circuit                     | push-pull     |
| output current                     | $< 100$ mA    |
| short circuit protection           | yes           |
| reverse polarity protection        | yes           |

## mechanical data

|                  |                     |
|------------------|---------------------|
| width / diameter | 18 mm               |
| height / length  | 45 mm               |
| depth            | 32 mm               |
| type             | rectangular         |
| housing material | plastic (ASA, PMMA) |
| front (optics)   | PMMA                |
| connection types | connector M12 3 pin |

## ambient conditions

|                       |                |
|-----------------------|----------------|
| operating temperature | -25 ... +60 °C |
| protection class      | IP 67          |

## photo



## connection diagram

