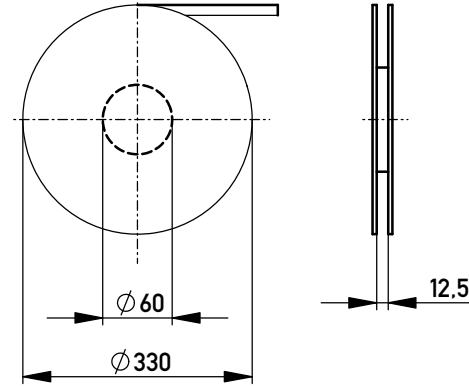
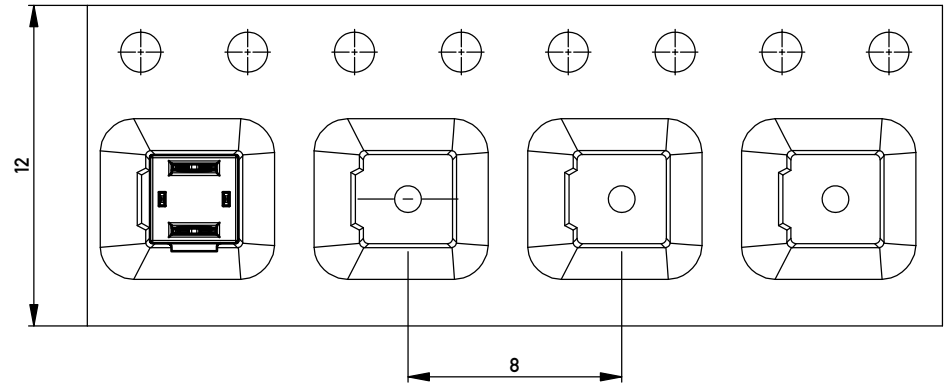
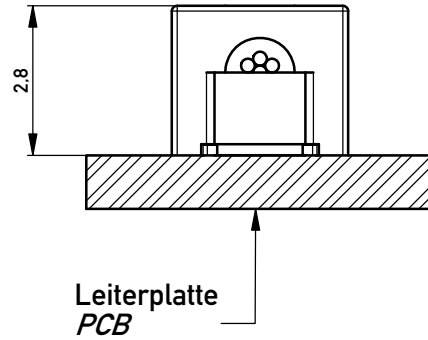
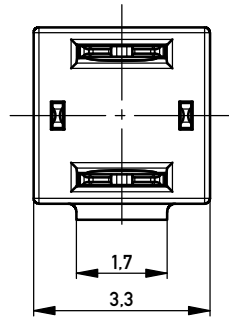


Verpackt in Gurtverpackung - *Tape on Reel Packaging*  
 Verpackungseinheit: 2000 Stück - *Packaging unit: 2000 pcs*



Terminal verpresst  
*Terminal pressed*

Abspulrichtung - *Reel off Direction* →

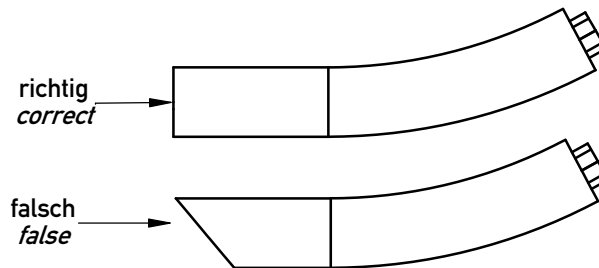
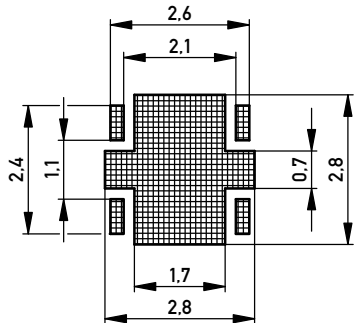


Leiterplatten-Layout Vorschlag  
*PCB-Layout Proposal*

Montagehinweis  
*Assembly Instruction*

Es ist darauf zu achten, dass das Kabel senkrecht ( $90^\circ \pm 5^\circ$ ) abgeschnitten wird!  
*It is important to ensure that the cable is cut off perpendicular ( $90^\circ \pm 5^\circ$ )!*

\*AWG 22/7 D 1,3 mit Kabelanschlag  
 \*AWG 22/7 D 1,3 with cable stop



Information:		Tolerances		Scale	10:1
All rights reserved. Only for Information. To ensure that this is the latest version of this drawing, please contact one of the ERNI companies before using.		Subject to modification without prior notice. Drawing will not be updated.		Designation	
Copyright by ERNI GmbH. Proprietary notice pursuant to ISO 16016 to be observed.		www.ERNI.com		Schneidklemmterminal* IDC-Terminal*	
10.02.2012		ERNI		454303	
Index	Date	Class		IDC-TERM	
				I A3	