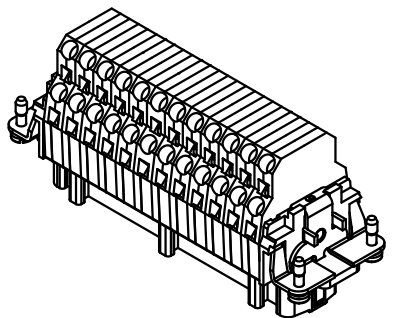
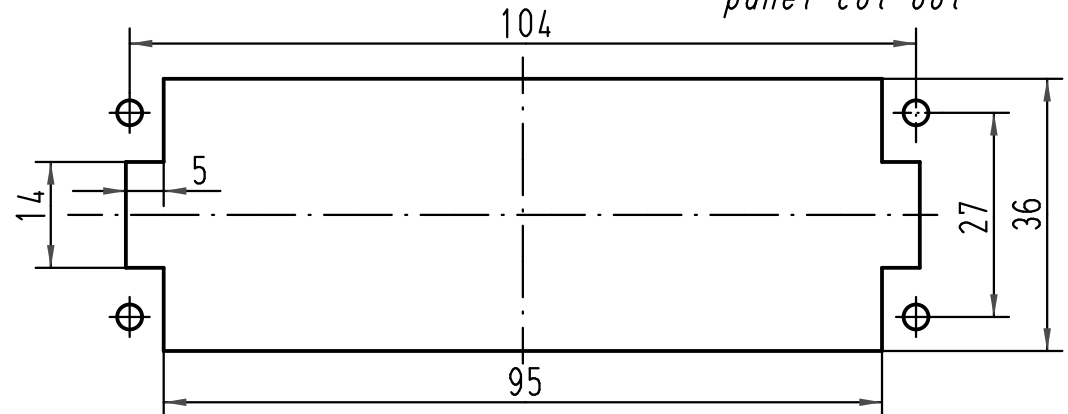
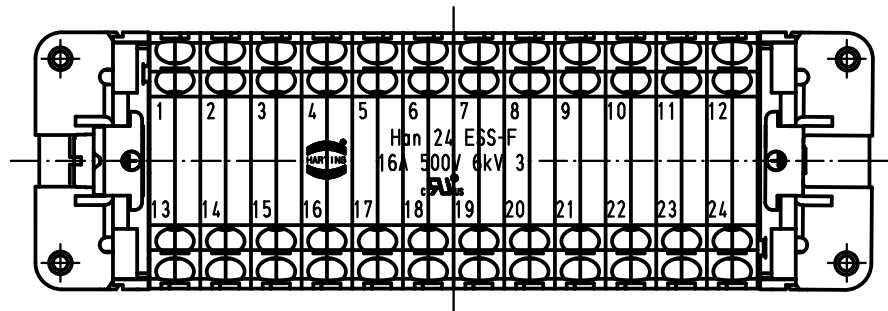


Montageausschnitt/
panel cut out



| | | | | | | | |
|------------------|---|------|---|-------------------|--------------|---|---|
| | ALL Dimensions in mm Original Size DIN A 4 | | | Techn. Character. | | Nicht tolerierte Maß/Free size tolerances | |
| | | | | Dat. 03.05.02 | Name Loe. | Maßstab/Scale 1:1 | Han 24ESS-F Buchseneinsatz / female insert |
| | | | Insp. | HERB | | | |
| | | | Stand. | | | | |
| 414268 410049 | 08.12.08 ML | | HARTING Electric GmbH & Co. KG D-32339 Espelkamp | | | TB 09 33 024 2772 | |
| Mod. | Dat. | Name | | | | Sub. | Blatt/page |