

Description

The ZXGD3001E6 is a high-speed non-inverting single MOSFET gate driver capable of driving up to 9A into a MOSFET or IGBT gate capacitive load from supply voltages up to 12V with typical propagation delay times down to 3ns and rise/fall times down to 11ns. This device ensures rapid switching of the power MOSFET or IGBT to minimize power losses and distortion in high-current fast-switching applications.

The ZXGD3001E6 is inherently rugged to latchup and shoot-through. Its wide supply voltage range allows full enhancement to minimize on-losses of the power MOSFET or IGBT.

Its low-input voltage requirement and high current gain allows high current driving from low voltage controller ICs.

The optimized pinout SOT23-6 package with separate source and sink pins eases board layout, enabling reduced parasitic inductance and independent control of rise and fall slew rates.

Applications

Power MOSFET and IGBT Gate Driving in

- Synchronous Switch-Mode Power Supplies
- Secondary Side Synchronous Rectification
- Plasma Display Panel Power Modules
- 1, 2, and 3-phase Motor Control Circuits
- Audio Switching Amplifier Power Output Stages

Features

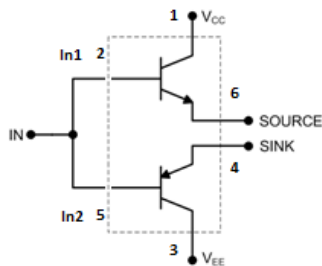
- 12V Operating Voltage Range
- 9A Peak Output Current
- Fast-Switching Emitter-Follower Configuration
 - 3ns Propagation Delay Time
 - 11ns Rise/Fall Time, 1000pF Load
- Low-Input Current Requirement
 - 4.2A (source)/2.2A (sink) Output Current from 10mA Input
- SOT23-6 Package
- Separate Source and Sink Outputs for Independent Control of Rise and Fall Time
- Optimized Pinout to Ease Board Layout and Minimize Trace Inductance
- No Latchup
- No Shoot-Through
- Near-Zero Quiescent and Output Leakage Current
- **Totally Lead-Free & Fully RoHS Compliant (Notes 1 & 2)**
- **Halogen and Antimony Free. "Green" Device (Note 3)**
- **For automotive applications requiring specific change control (i.e.: parts qualified to AEC-Q100/101/200, PPAP capable, and manufactured in IATF 16949 certified facilities), please refer to the related automotive grade (Q-suffix) part. A listing can be found at <https://www.diodes.com/products/automotive/automotive-products/>.**
- **This part is qualified to JEDEC standards (as references in AEC-Q) for High Reliability.** <https://www.diodes.com/quality/product-definitions/>

Mechanical Data

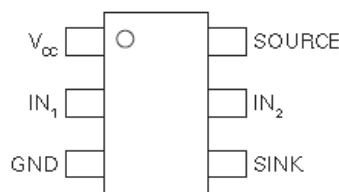
- Case: SOT26
- Case Material: Molded Plastic. "Green" Molding Compound; UL Flammability Rating 94V-0
- Moisture Sensitivity: Level 1 per J-STD-020
- Terminals: Finish - Matte Tin Plated Leads, Solderable per MIL-STD-202, Method 208 (E3)
- Weight: 0.018 grams (Approximate)



Top View



Internal Device Schematic



Top View Pin-Out

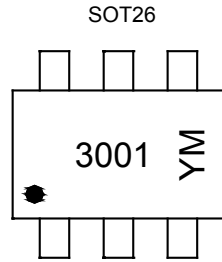
Pin Name	Pin Function
VCC	Driver Supply
IN1 / IN2	Driver inputs are normally connected together by circuit tracks
GND	Ground
SOURCE	Source Current Output
SINK	Sink Current Output

Ordering Information (Notes 4)

Product	Compliance	Marking	Reel Size (inches)	Tape Width (mm)	Quantity per Reel
ZXGD3001E6TA	AEC-Q101	3001	7	8 embossed	3000

- Notes:
1. No purposely added lead. Fully EU Directive 2002/95/EC (RoHS), 2011/65/EU (RoHS 2) & 2015/863/EU (RoHS 3) compliant.
 2. See <https://www.diodes.com/quality/lead-free/> for more information about Diodes Incorporated's definitions of Halogen- and Antimony-free, "Green" and Lead-free.
 3. Halogen- and Antimony-free "Green" products are defined as those which contain <900ppm bromine, <900ppm chlorine (<1500ppm total Br + Cl) and <1000ppm antimony compounds.
 4. For packaging details, go to our website at <http://www.diodes.com/design/support/packaging/diodes-packaging/>.

Marking Information



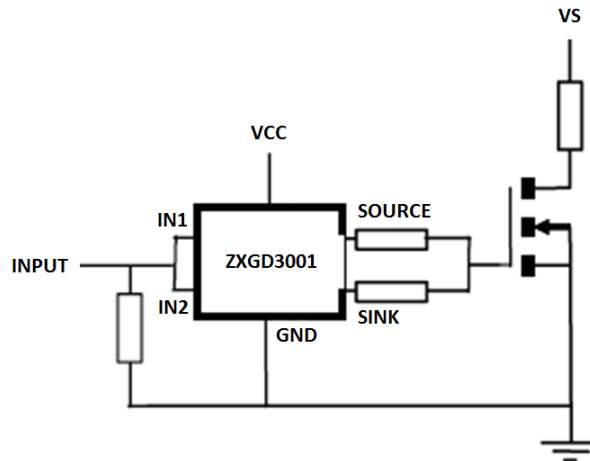
3001 = Product Type Marking Code
 YM = Date Code Marking
 Y or \bar{Y} = Year (ex: H = 2020)
 M or \bar{M} = Month (ex: 9 = September)

Date Code Key

Year	2020	2021	2022	2023	2024	2025	2026	2027	2028	2029	2030
Code	H	I	J	K	L	M	N	O	P	R	S

Month	Jan	Feb	Mar	Apr	May	Jun	Jul	Aug	Sep	Oct	Nov	Dec
Code	1	2	3	4	5	6	7	8	9	O	N	D

Typical Application Circuit



Absolute Maximum Ratings (@ $T_A = +25^\circ\text{C}$, unless otherwise specified.)

Characteristic	Symbol	Value	Unit
Supply Voltage	V_{CC}	12	V
Input Voltage	V_{IN}	12	V
Peak Sink Current	$I_{(sink)PK}$	9	V
Source Current @ $I_{IN1} + I_{IN2} = 10\text{mA}$ (6)	$I_{(source)}$	4.2	A
Sink Current @ $I_{IN1} + I_{IN2} = 10\text{mA}$ (6)	$I_{(sink)}$	2.2	A
Input Current (c)	I_{IN1}, I_{IN2}	1	A

Thermal Characteristics (@ $T_A = +25^\circ\text{C}$, unless otherwise specified.)

Characteristic	Symbol	Value	Unit
Power Dissipation (Notes 5 & 6)	P_D	1.1	W
Linear Derating Factor		8.8	mW/ $^\circ\text{C}$
Thermal Resistance, Junction to Ambient (Notes 5 & 6)	$R_{\theta JA}$	113	$^\circ\text{C}/\text{W}$
Thermal Resistance, Junction to Lead (Note 7)	$R_{\theta JL}$	105	$^\circ\text{C}/\text{W}$
Operating and Storage Temperature Range	T_J, T_{STG}	-55 to +150	$^\circ\text{C}$

ESD Ratings (Note 8)

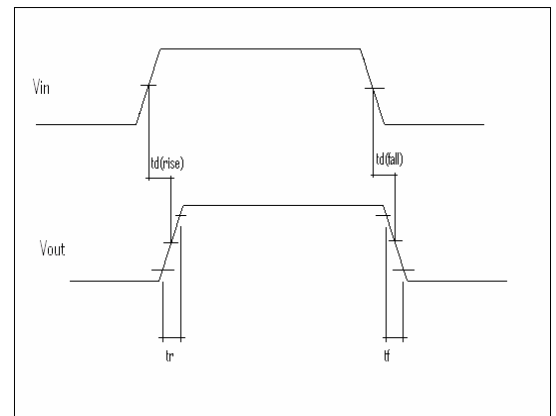
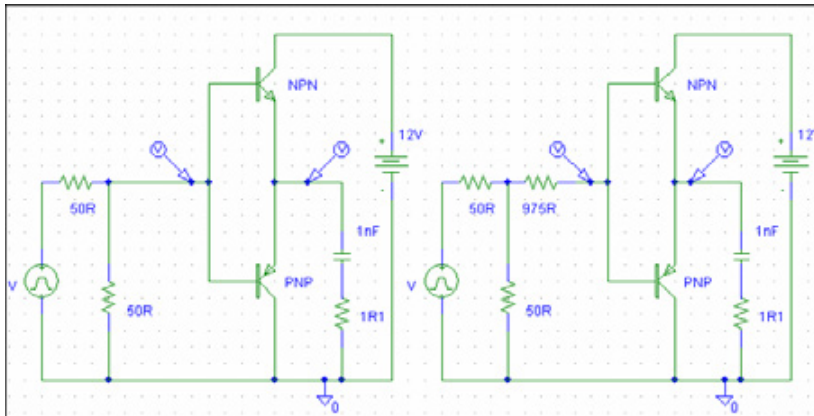
Characteristic	Symbol	Value	Unit	JEDEC Class
Electrostatic Discharge - Human Body Model	ESD HBM	1500	V	1C
Electrostatic Discharge – Charged Device Model	ESD CDM	1000	V	IV

- Notes:
5. For a device mounted on 25mm × 25mm 1oz copper that is on a single-sided 1.6mm FR4 PCB; device is measured under still air conditions whilst operating in a steady-state. The heatsink is split in half with the pin 1 (V_{CC}) and pin 3 (V_{EE}) connected separately to each half.
 6. For device with two active die running at equal power.
 7. Thermal resistance from junction to solder-point at the end of each lead on pin 1 (V_{CC}) and pin 3 (V_{EE}).
 8. Refer to JEDEC specification JESD22-A114, JESD22-A115, and JESD22-C101.

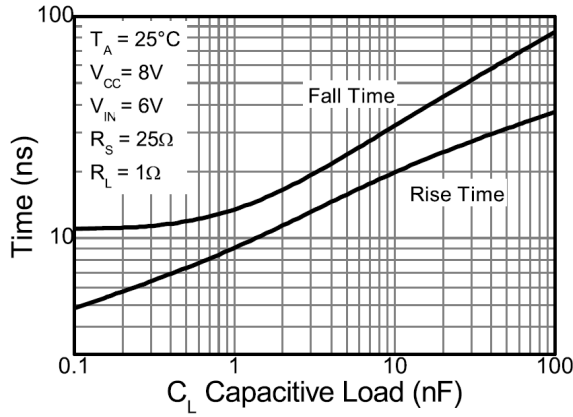
Electrical Characteristics (@ $T_A = +25^\circ\text{C}$, unless otherwise specified.)

Parameter	Symbol	Min.	Typ.	Max.	Unit	Conditions
Output Voltage, High	V_{OH}	—	$V_{CC} - 0.4$	—	V	$I_{SOURCE} = 1\mu\text{A}$
Output Voltage, Low	V_{OL}	—	0.4	—	V	$I_{SINK} = 1\mu\text{A}$
Source Output Leakage Current	$I_{L(source)}$	—	—	1	μA	$V_{CC} = 12\text{V}$, $V_{IN1} = V_{IN2} = 0\text{V}$
Sink Output Leakage Current	$I_{L(sink)}$	—	—	1	μA	$V_{CC} = 12\text{V}$, $V_{IN1} = V_{IN2} = V_{CC}$
Quiescent Current	I_Q	—	—	50	nA	$V_{CC} = 9.6\text{V}$, $V_{IN1} = V_{IN2} = 0\text{V}$
Source Output Current	$I_{(source)}$	1	1.7	—	A	$I_{IN1} + I_{IN2} = 2.5\text{mA}$
Sink Output Current	$I_{(sink)}$	0.7	1.1	—	A	$I_{IN1} + I_{IN2} = 2.5\text{mA}$
Source Output Current	$I_{(source)}$	2.7	4.2	—	A	$I_{IN1} + I_{IN2} = 10\text{mA}$
Sink Output Current	$I_{(sink)}$	1.5	2.2	—	A	$I_{IN1} + I_{IN2} = 10\text{mA}$
Source Output Current	$I_{(source)PK}$	—	9	—	A	$I_{IN1} + I_{IN2} = 1\text{A}$
Sink Output Current	$I_{(sink)PK}$	—	9	—	A	$I_{IN1} + I_{IN2} = 1\text{A}$
Gate Driver Switching Times	$t_{d(rise)}$	—	1.3	—	nS	$C_L = 1\text{nF}$, $R_L = 1\Omega$, $V_{CC} = 8\text{V}$, $V_{IN} = 6\text{V}$, $R_S = 25\Omega$
	t_r	—	7.3	—		
	$t_{d(fall)}$	—	3	—		
	t_f	—	11	—		
Gate Driver Switching Times	$t_{d(rise)}$	—	9	—	nS	$C_L = 1\text{nF}$, $R_L = 1\Omega$, $V_{CC} = 8\text{V}$, $V_{IN} = 6\text{V}$, $R_S = 1\text{k}\Omega$
	t_r	—	141.5	—		
	$t_{d(fall)}$	—	14	—		
	t_f	—	151	—		

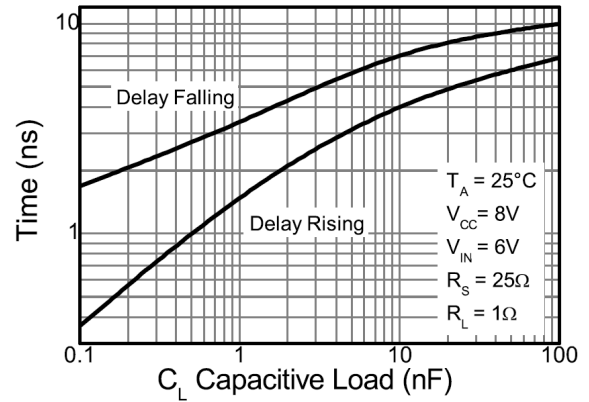
Switching Test Circuit and Timing Diagram



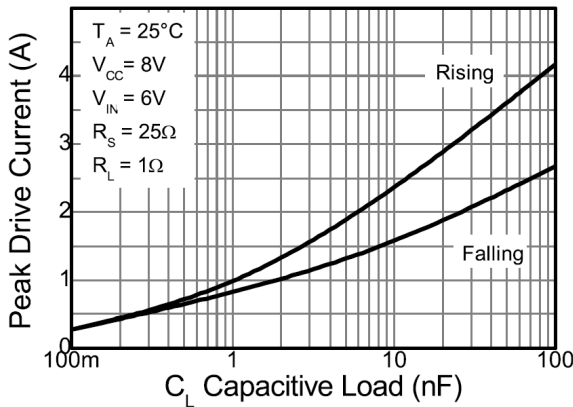
Typical Switching Characteristics (@ $T_A = +25^\circ\text{C}$, unless otherwise specified.)



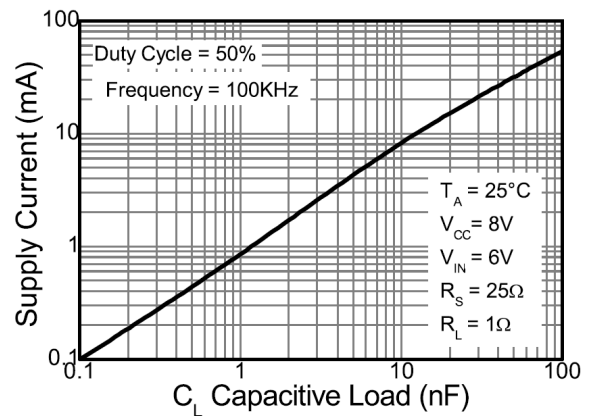
Rise and Fall Time



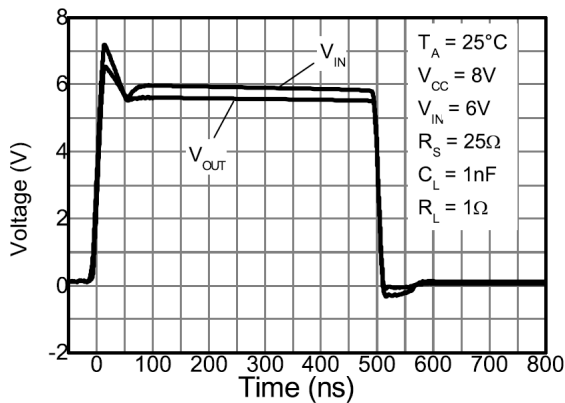
Propagation Delay



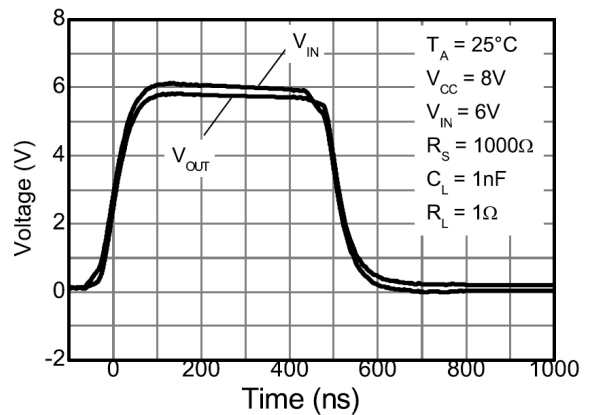
Peak Drive Current



Supply Current

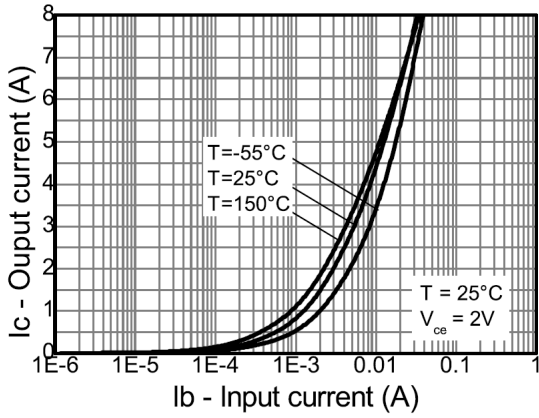


Switching Speed

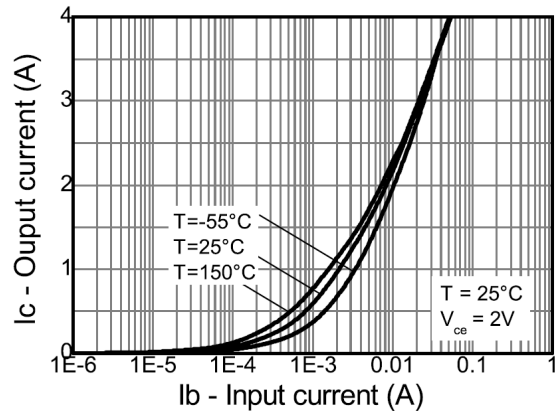


Switching Speed

Typical Switching Characteristics (@T_A = +25°C, unless otherwise specified.) (continued)



Source Current Vs Input Current

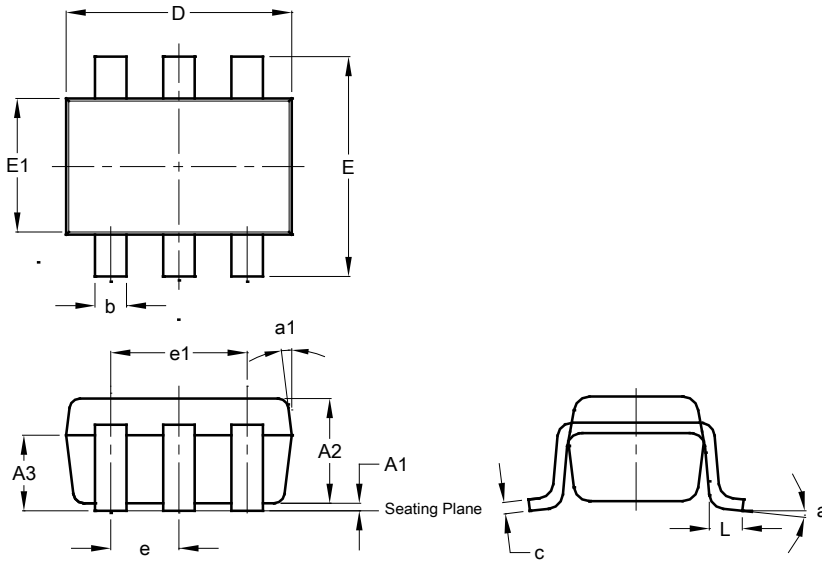


Sink Current Vs Input Current

Package Outline Dimensions

For packaging details, go to our website at <https://www.diodes.com/design/support/packaging/diodes-packaging/>.

SOT26 (SC74R)

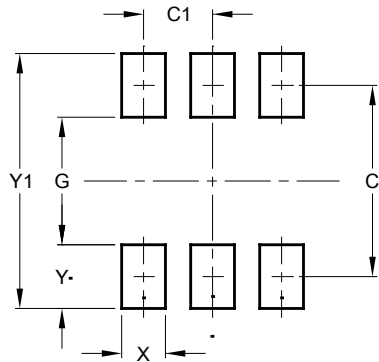


SOT26 (SC74R)			
Dim	Min	Max	Typ
A1	0.013	0.10	0.05
A2	1.00	1.30	1.10
A3	0.70	0.80	0.75
b	0.35	0.50	0.38
c	0.10	0.20	0.15
D	2.90	3.10	3.00
e	-	-	0.95
e1	-	-	1.90
E	2.70	3.00	2.80
E1	1.50	1.70	1.60
L	0.35	0.55	0.40
a	-	-	8°
a1	-	-	7°
All Dimensions in mm			

Suggested Pad Layout

For packaging details, go to our website at <https://www.diodes.com/design/support/packaging/diodes-packaging/>.

SOT26 (SC74R)



Dimensions	Value (in mm)
C	2.40
C1	0.95
G	1.60
X	0.55
Y	0.80
Y1	3.20

IMPORTANT NOTICE

DIODES INCORPORATED MAKES NO WARRANTY OF ANY KIND, EXPRESS OR IMPLIED, WITH REGARDS TO THIS DOCUMENT, INCLUDING, BUT NOT LIMITED TO, THE IMPLIED WARRANTIES OF MERCHANTABILITY AND FITNESS FOR A PARTICULAR PURPOSE (AND THEIR EQUIVALENTS UNDER THE LAWS OF ANY JURISDICTION).

Diodes Incorporated and its subsidiaries reserve the right to make modifications, enhancements, improvements, corrections or other changes without further notice to this document and any product described herein. Diodes Incorporated does not assume any liability arising out of the application or use of this document or any product described herein; neither does Diodes Incorporated convey any license under its patent or trademark rights, nor the rights of others. Any Customer or user of this document or products described herein in such applications shall assume all risks of such use and will agree to hold Diodes Incorporated and all the companies whose products are represented on Diodes Incorporated website, harmless against all damages.

Diodes Incorporated does not warrant or accept any liability whatsoever in respect of any products purchased through unauthorized sales channel. Should Customers purchase or use Diodes Incorporated products for any unintended or unauthorized application, Customers shall indemnify and hold Diodes Incorporated and its representatives harmless against all claims, damages, expenses, and attorney fees arising out of, directly or indirectly, any claim of personal injury or death associated with such unintended or unauthorized application.

Products described herein may be covered by one or more United States, international or foreign patents pending. Product names and markings noted herein may also be covered by one or more United States, international or foreign trademarks.

This document is written in English but may be translated into multiple languages for reference. Only the English version of this document is the final and determinative format released by Diodes Incorporated.

LIFE SUPPORT

Diodes Incorporated products are specifically not authorized for use as critical components in life support devices or systems without the express written approval of the Chief Executive Officer of Diodes Incorporated. As used herein:

A. Life support devices or systems are devices or systems which:

1. are intended to implant into the body, or
2. support or sustain life and whose failure to perform when properly used in accordance with instructions for use provided in the labeling can be reasonably expected to result in significant injury to the user.

B. A critical component is any component in a life support device or system whose failure to perform can be reasonably expected to cause the failure of the life support device or to affect its safety or effectiveness.

Customers represent that they have all necessary expertise in the safety and regulatory ramifications of their life support devices or systems, and acknowledge and agree that they are solely responsible for all legal, regulatory and safety-related requirements concerning their products and any use of Diodes Incorporated products in such safety-critical, life support devices or systems, notwithstanding any devices- or systems-related information or support that may be provided by Diodes Incorporated. Further, Customers must fully indemnify Diodes Incorporated and its representatives against any damages arising out of the use of Diodes Incorporated products in such safety-critical, life support devices or systems.

Copyright © 2020, Diodes Incorporated

www.diodes.com