



**9mm Metal Shaft Rotary Potentiometer (9mm 金屬軸旋轉電位器)**

**RK0971**

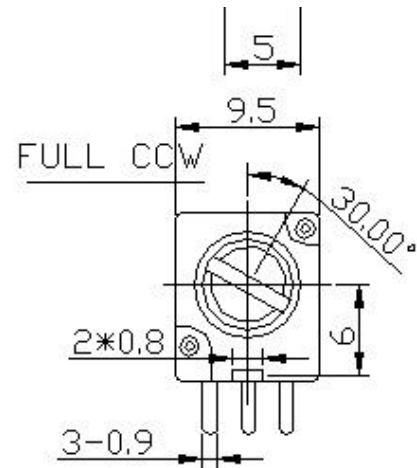
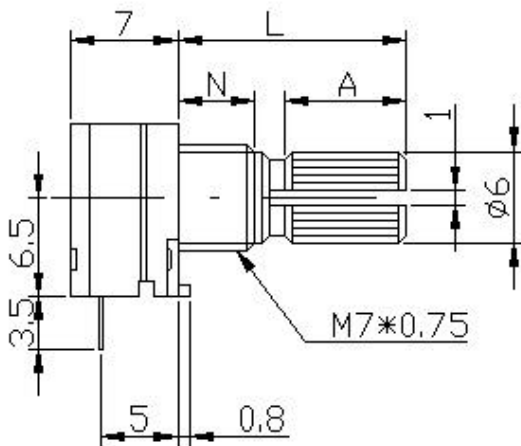


**Part Number**

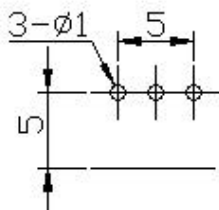
**RK0971 - B 50K, L - 20 KC**

↓ Taper 線性  
↓ Resistance Value 阻值  
↓ Shaft Length 軸長  
↓ Shaft Type 軸型

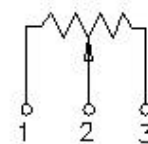
**Dimensions 尺寸圖面**



**P.C.B LAYOUT**



**CIRCUIT**





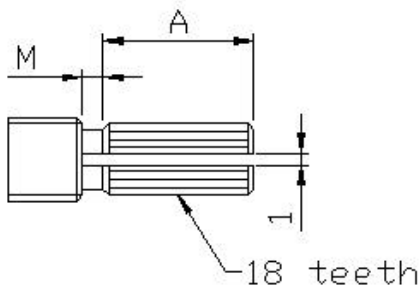
**9mm Metal Shaft Rotary Potentiometer (9mm 金屬軸旋轉電位器)**

Shaft Type 軸型

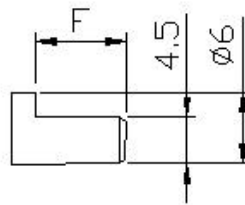
Bushing Length

N	5	7
---	---	---

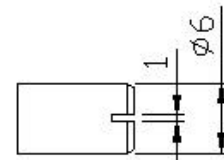
KC TYPE



F TYPE



RE TYPE



KC TYPE

N=5mm

L	12	15	20	25
A	3.5	7.5	12	12
M	0.5	1	2	2

F TYPE

N=5mm

L	15	20	25
F	7	12	12

RE TYPE

N=5mm

L	15	20	25
---	----	----	----



**9mm Metal Shaft Rotary Potentiometer (9mm 金屬軸旋轉電位器)**

**Electrical Characteristics 電氣特性**

Total Resistance 總阻值	1K ~ 500K				
Total Resistance Tolerance 總阻值誤差	± 20% (more than 1K ± 30%)				
Resistance Tape 線性	A. B. C. D. W. Taper				
Resistance Taper Characteristics 阻值變化特性範圍	A50%	B50%	C50%	D50%	W50%
	15-25%	40-60%	75-85%	2-15%	45-55%
Rated Power 定格電力	B Taper 0.05 W , Other Tapers 0.02 W				
Residual Resistance 殘留阻值	R ≧ 250K 0.1%				
	250K > R > 10K		20 Max.		
Noise 雜音	Less than 100 mV				
	10K ≧ R 20 Max.				
Insulation Resistance 絕緣阻抗	DC 250V 100M				
Withstand Voltage 耐電壓	1 minute at AC 300V				
Switch Rating 開關額定值	DC 16V 1A				
Switch Contact Resistance 開關接觸電阻	50m				
Rotational Life 迴轉壽命	15,000 Cycles				

**Mechanical Characteristics 機械特性**

Total Rotational Angle 全迴轉角度	300 ° ± 5 °				
Operating Force 全迴轉力距	20 ~ 250gf.cm				
Stopper Strength 全迴轉止強度	5 kgf.cm max.				
Switch Working Force 開關作動力	400 gf.cm				
Switch Working Angle 開關迴轉角度	50 °				
Shaft Push-Pull Strength 軸心壓入拉起強度	10 kgf.cm Max.				
Shaft Lever Wobble 軸心搖動接受力	0.6 x L/ 20 mm p-p max. (L: lever length both side)				
Soldering Heat 焊錫耐熱性	300 , 3s. (Only for Hand-Soldering)				