

## Connector Type B

Electrical connector according to an **industrial standard**

### Technical data

Housing	:	black: Pa66 + 30%GV transparent: Pa
Contact material:		CuZn (Ag)
Max. current:		16 A
Operating current:		10 A
Distance:		11 mm
Protection class:		IP 65 (EN 60529)
Insulation class:		C – VDE 0110
Operating temperature:		black: -40°C / +125°C transparent: -25°C / +90°C

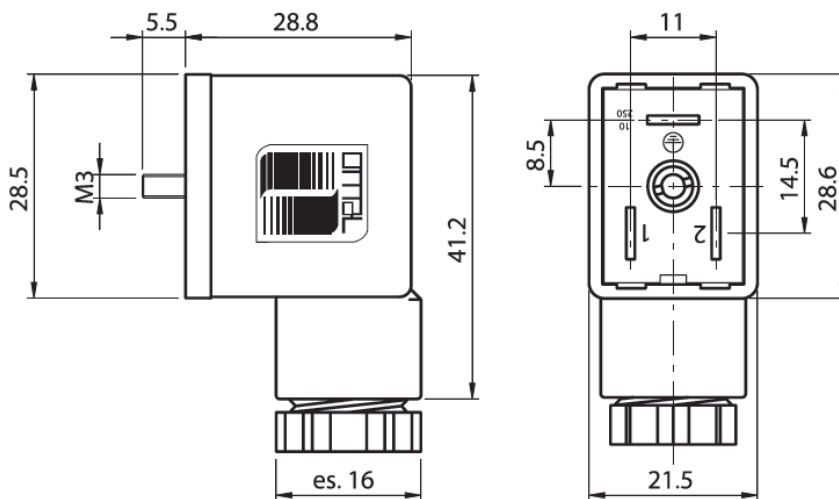


figure 1, S1.12 respectively S1.13

Gland size: PG9

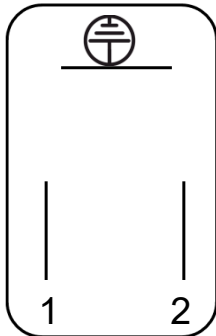
Cable diameter: 6 - 8 mm

There is the possibility with (transparent housing) and without LED (black housing). It is important to know, that the maximum current depends on the wiring.

The connector with 11mm distance between the contactors **does not accord to EN 175301-803**. It is an industrial standard.

### V31

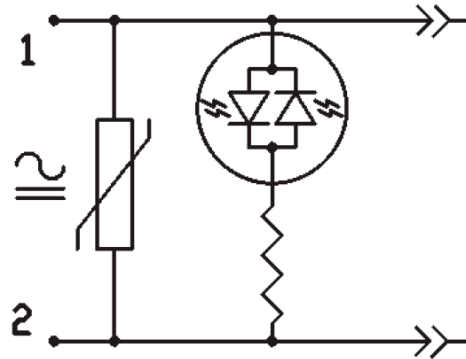
Nominal voltage: max. 250 V AC / 300V DC  
Housing: black



Standard without power indicator

### V32

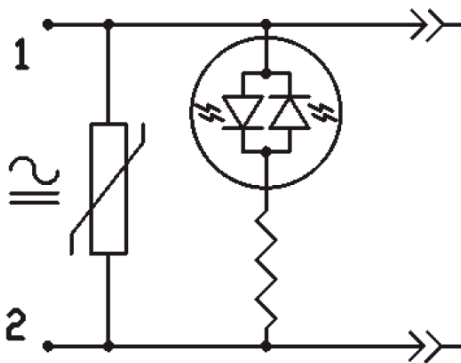
Nominal voltage: 10-50 V AC/DC  
Housing: transparent



With power indicator  
+ varistor protection

### V30

Nominal voltage: 70-250 V AC/DC  
Housing: transparent



With power indicator  
+ varistor protection