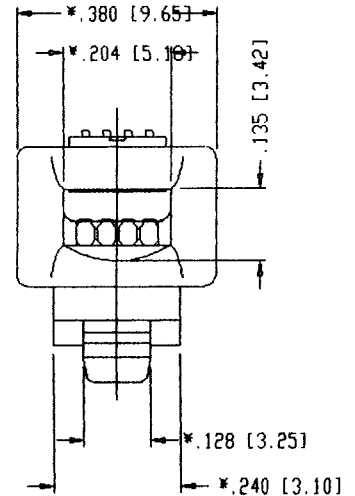
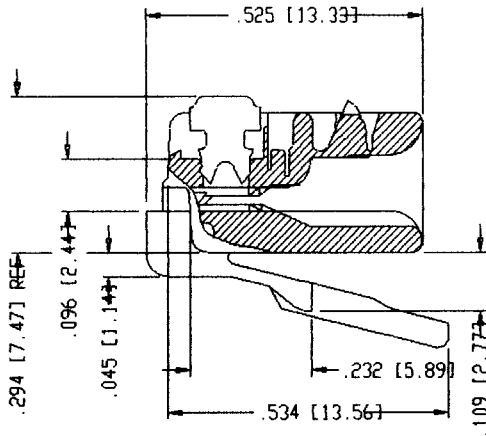
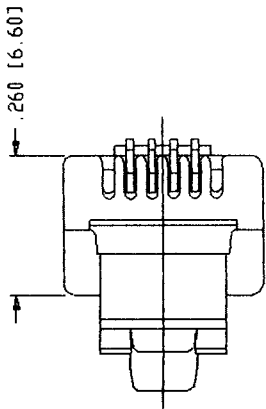
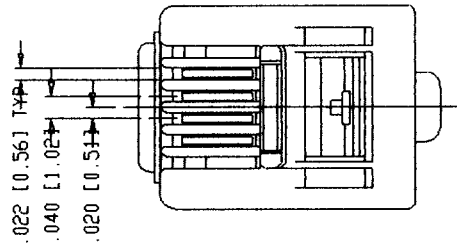


STEWART  
CONNECTOR  
SYSTEMS, INC.

R.D. 2, BOX 2020 GLEN ROCK, PENNSYLVANIA 17327

PART NO.: 940-SP-3046R  
FOUR CONDUCTOR/SIX POSITION LINE CORD MODULE;  
CLEAR FOR ROUND CABLE; FOR CONDUCTORS WITH  
MAXIMUM OUTSIDE DIAMETER OF .038 [0.965]

R- RADIAL BACK



SPECIFICATIONS OF STEWART CONNECTOR'S  
MODULAR PLUGS

- CONTACT MATERIAL: \_\_\_\_\_ 8% PHOSPHOR BRONZE
- CONTACT PLATING: \_\_\_\_\_ 50 MICRO-INCH (1.27 MICRON)  
SELECTIVE 24 CARAT HARD GOLD PLATE IN CONTACT AREA  
OVER 100 MICRO-INCH (2.54 MICRON) MINIMUM NICKEL PLATE  
PER CURRENT SELECTIVE GOLD PLATING REQUIREMENTS.
- PLUG MATERIAL: \_\_\_\_\_ POLYCARBONATE
- PLUG TOLERANCES AND DIMENSIONS: \_\_\_\_\_ COMPLIES WITH F.C.C. REQUIREMENTS  
ALL OTHER DIM'S ±.005 (±0.127MM)  
DIM'S WITH "\*" TO BE CENTRAL ABOUT CENTER LINE
- FLAME AUTO EXTINGUISH LEVEL: \_\_\_\_\_ 94-V0 (U.L. RECOGNIZED-FILE  
NO. E132408 (N) )
- OPERATION TEMPERATURE: \_\_\_\_\_ -40°C TO +125°C
- INSERTION/EXTRACTION LIFE: \_\_\_\_\_ 1000 CYCLES (USING STEWART  
CONNECTOR JACKS)
- CONTACT RESISTANCE: \_\_\_\_\_ 10 MILLOHMS MAX. (USING  
STEWART CONNECTOR JACKS)
- CURRENT/VOLTAGE: \_\_\_\_\_ 30 VAC/42 VDC AT 1.5 AMPS