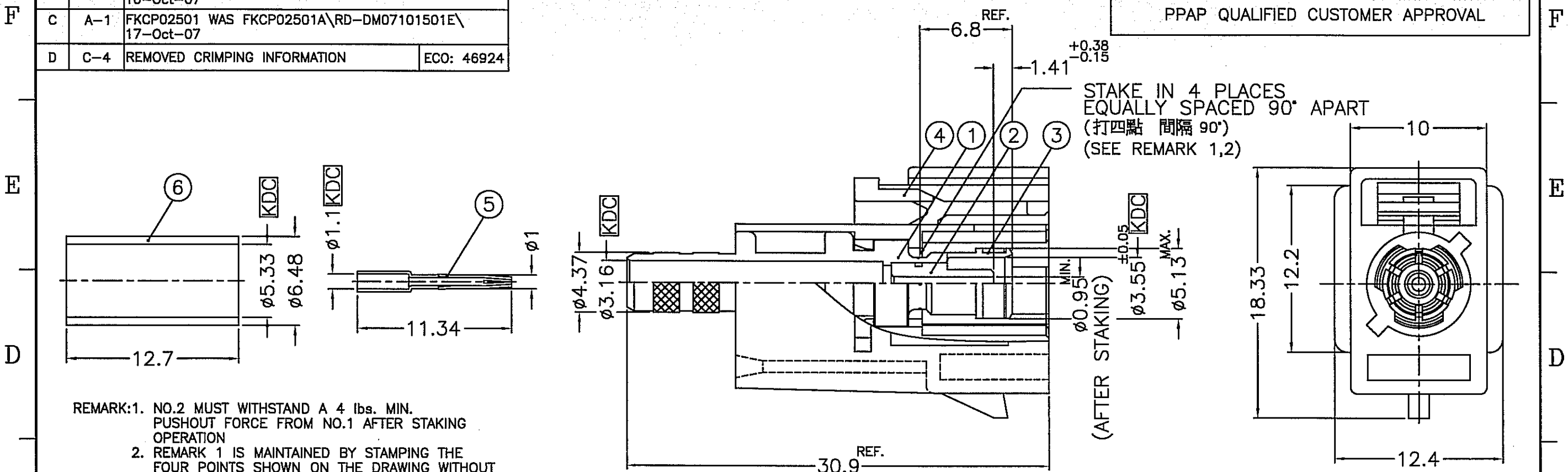


REVISIONS			
ISS	ZONE	DESCRIPTION\PER REQUEST\DATE	
B	A-3	FKNS03803 WAS FKNS03801A\RD-DM07100801E\ 10-Oct-07	
C	A-1	FKCP02501 WAS FKCP02501A\RD-DM07101501E\ 17-Oct-07	
D	C-4	REMOVED CRIMPING INFORMATION	ECO: 46924

CONFIGURATION CONTROL:
NO CHANGES PERMITTED TO DRAWING WITHOUT
PPAP QUALIFIED CUSTOMER APPROVAL



REMARK:1. NO.2 MUST WITHSTAND A 4 lbs. MIN. PUSHOUT FORCE FROM NO.1 AFTER STAKING OPERATION
2. REMARK 1 IS MAINTAINED BY STAMPING THE FOUR POINTS SHOWN ON THE DRAWING WITHOUT PUNCTURING NO.1
(1. 打四點後零件2由零件1推出至少必須承受4磅推力)
(2. 打四點後除需符合備註1要求外且不可擊穿零件1)

NOTES: FINISH (PLATING THICKNESS IN MICRO-INCHES)
1. ZINC DIECAST PER JIS H5301 ZDC2 OR EQUIVALENT
2. PHOSPHOR BRONZE PER QQ-B-750
3. NICKEL PL. 60 MIN. THICK OVER COPPER STRIKE
4. GOLD PL. 30 MIN. THICK OVER NICKEL PL. 100 MIN. THICK OVER COPPER STRIKE
5. TEFLON MIL-P-19468 ; ASTM D-1710 OR EQUIVALENT
6. COPPER PER ASTM B-75 ALLOY C12200 OR EQUIVALENT
7. NYLOY66(WITH 30% GLASS FIBER) PER GINAR TECHNOLOGY CO., LTD.
8. NICKEL PL. 60 MIN. THICK OVER COPPER PL. 300 MIN. THICK
9. BERYLLIUM COPPER JIS C1720R-1/4H OR EQUIVALENT
10. **KDC**=KEY DESIGN CHARACTERISTIC

1. SEE 349-50713 FOR DETAILED CABLE ASSEMBLY INSTRUCTIONS

TABLE

KEY CODING	PART NO.	DRAWING NO.	ITEM NO.	LOCK COVER
A	2FA1-NASJ-C04-6	FK6121AW-049-NT30G-50	FK6121BBA58NC5F	FKLC31301A
B	2FA1-NBSJ-C04-6	FK6121BW-049-NT30G-50	FK6121BBB58NC5F	FKLC31302A
C	2FA1-NCSJ-C04-6	FK6121CW-049-NT30G-50	FK6121BBC58NC5F	FKLC31303A
D	2FA1-NDSJ-C04-6	FK6121DW-049-NT30G-50	FK6121BBD58NC5F	FKLC31304A
E	2FA1-NESJ-C04-6	FK6121EW-049-NT30G-50	FK6121BBE58NC5F	FKLC31305A
F	2FA1-NFSJ-C04-6	FK6121FW-049-NT30G-50	FK6121BBF58NC5F	FKLC31306A
G	2FA1-NGSJ-C04-6	FK6121GW-049-NT30G-50	FK6121BBG58NC5F	FKLC31307A
H	2FA1-NHSJ-C04-6	FK6121HW-049-NT30G-50	FK6121BBH58NC5F	FKLC31308A
I	2FA1-NISJ-C04-6	FK6121IW-049-NT30G-50	FK6121BBI58NC5F	FKLC31309A
K	2FA1-NKSJ-C04-6	FK6121KW-049-NT30G-50	FK6121BBK58NC5F	FKLC31310A
Z	2FA1-NZSJ-C04-6	FK6121ZW-049-NT30G-50	FK6121BBZ58NC5F	FKLC31311A
L	2FA1-NLSJ-C04-6	FK6121LW-049-NT30G-50	FK6121BBL58NC5F	FKLC31312A
M	2FA1-NMSJ-C04-6	FK6121MW-049-NT30G-50	FK6121BBM58NC5F	FKLC31313A
N	2FA1-NNSJ-C04-6	FK6121NW-049-NT30G-50	FK6121BBN58NC5F	FKLC31314A

NO.	DESCRIPTION	MATERIAL	FINISH	Q'TY	DRAWING NO.
6	FERRULE			1	FKFR00201A
5	CONTACT PIN			1	FKCP02501
4	LOCK COVER			1	SEE TABLE
3	RETAINER RING		NATURAL	1	FKRR00103A
2	INSULATOR		NATURAL	1	FKNS03803
1	BODY			1	FKBD05701A

DIMENSIONS ARE IN MILLIMETERS			
UNLESS OTHERWISE SPECIFIED TOLERANCES			
0.5-6	=	±0.2	
6-30	=	±0.4	
30-120	=	±0.6	
120-315	=	±1	
315-1000	=	±1.6	
1000-2000	=	±2.4	

PART NO. 2FA1-NXSJ-C04-6	
APPROVED	DATE 11-15-04'
COASE	
CHECKED	DATE 11-15-04'
CHARLEY	
DRAWN	DATE 11-15-04'
JERRY	
FILE NO.	F:\DWG\FK\6121XX\049\50\NT30G-DSZ

Amphenol
Danbury,CT,USA-Tainan,Taiwan-Shenzhen,China

TITLE FAKRA SMB CRIMP JACK
(FOR RG-58B/U, 58C/U CABLE)

DRAWING NO. FK6121XX-049-NT30G-50

ITEM NO. FK6121BBX58NC5F