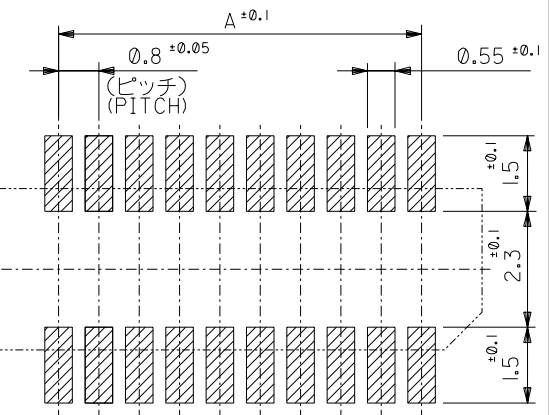
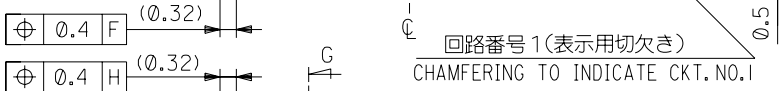


コネクタ位置
CONNECTOR
POSITION

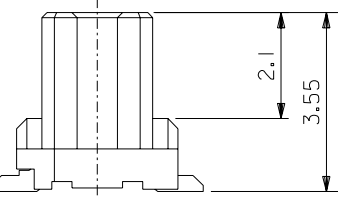
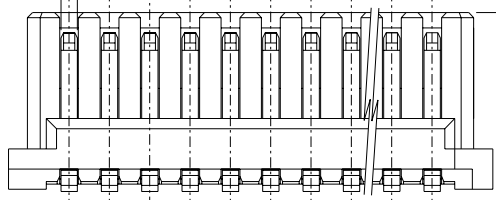


参考基板レイアウト (マウント面)

P.C.B. PATTERN LAYOUT (REF.) (MOUNT AREA)



回路番号 1 (表示用切欠き)
CHAMFERING TO INDICATE CKT. NO. 1



NOTES

1. 嵌合相手: 53307, 53309 シリーズ
MATES WITH 53307, 53309 SERIES
2. ハウジングの ϕ から隣接するターミナルの ϕ 迄の位置を示す。
SHOW POSITION FROM ϕ OF HOUSING TO ϕ OF ADJACENT TERMINALS.
3. 一对の基板の嵌合に於いて、本製品を2個以上使用することは推奨できません。
MXJ DOSE NOT RECOMMEND THE USAGE OF TWO OR MORE OF THESE CONNECTORS BETWEEN A SINGLE PAIR OF P. C. BOARD.
4. 本製品は 52465-**27 の鉛フリー品である。
THIS PRODUCT IS LEAD FREE OF 52465-**27.

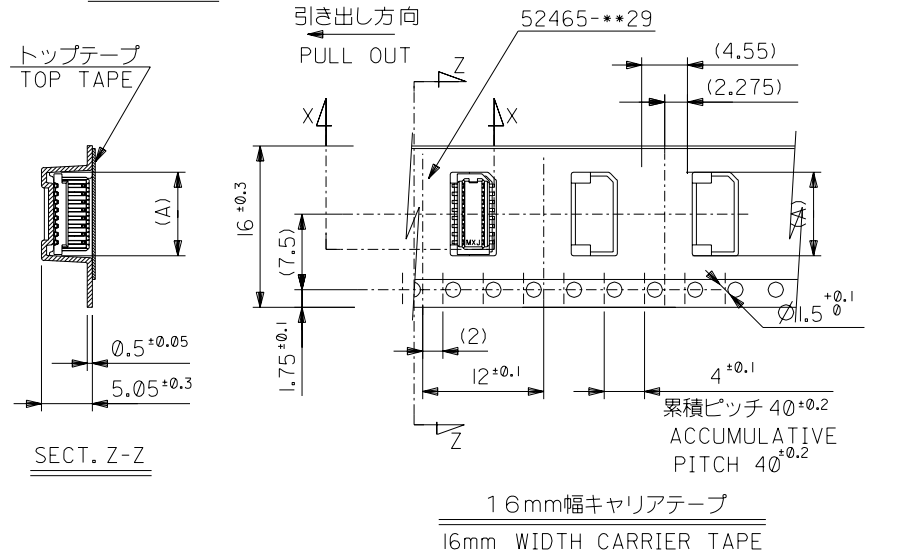
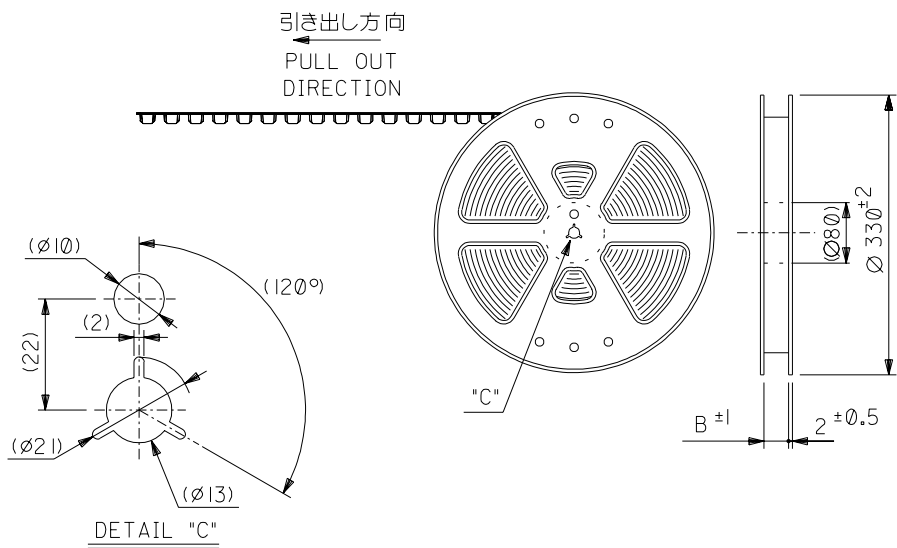
0.4	17.6	16.85	15.2	52465-4029	40
0.8	16.8	16.05	14.4	-3829	38
0.4	16.0	15.25	13.6	-3629	36
0.8	15.2	14.45	12.8	-3429	34
0.4	14.4	13.65	12.0	-3229	32
0.8	13.6	12.85	11.2	-3029	30
0.4	12.8	12.05	10.4	-2829	28
0.8	12.0	11.25	9.6	-2629	26
0.4	11.2	10.45	8.8	-2429	24
0.8	10.4	9.65	8.0	-2229	22
0.4	9.6	8.85	7.2	-2029	20
0.8	8.8	8.05	6.4	-1829	18
0.4	8.0	7.25	5.6	-1629	16
0.8	7.2	6.45	4.8	-1429	14
0.4	6.4	5.65	4.0	-1229	12
0.8	5.6	4.85	3.2	52465-1029	10

D C B A MATERIAL NO. CIRCUITS

DO NOT SCALE DRAWING

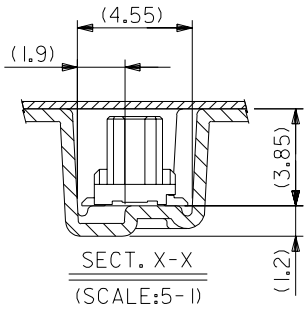
EC NO. DRWN: CHK: APPR:	EC NO. DRWN: CHK: APPR:	EC NO. DRWN: CHK: APPR:	EC NO. DRWN: CHK: APPR:	EC NO. DRWN: CHK: APPR:	RELEASED '04/02/17 EC NO. J2004-2482 DRWN: Y.SAKIYAMA CHK: M.SASAO APPR: M.SASAO	MATERIAL 材料 SEE DRAWING	GENERAL TOLERANCES: (UNLESS SPECIFIED) 一般公差	SCALE DESIGN UNITS <input checked="" type="checkbox"/> mm <input type="checkbox"/> INCH	THIRD ANGLE PROJECTION	DIMENSIONS: <input type="checkbox"/> mm <input type="checkbox"/> INCH <input checked="" type="checkbox"/> mm ONLY	SHT REV	
						FINISH 仕上げ --	10 UNDER 未満 ±0.2	DRAWN BY & DATE Y.SAKIYAMA '04/02/17	TITLE: 0.8 BOARD TO BOARD CONN. HOUSING ASS'Y SMT (WITHOUT BOSS) -LEAD FREE-			
						WIRE RANGE 適用電線範囲 --	10 OVER 30 UNDER 未満 ±0.25	CHECKED BY & DATE M.SASAO '04/02/17	MOLEX MOLEX INCORPORATED			
						INS. RANGE 被覆外径 --	30 OVER 以上 ±0.3	APPROVED BY & DATE M.SASAO '04/02/17	CAD FILENAME SD-52465-028.S01	MATERIAL NO. SEE CHART	DRAWING NO. SD-52465-028	SHEET NO. 1 OF 1
THIS DRAWING CONTAINS INFORMATION THAT IS PROPRIETARY TO MOLEX INCORPORATED AND SHOULD NOT BE USED WITHOUT WRITTEN PERMISSION.											SIZE B	

DWG. NO. SD-52465-029



NOTES

- 梱包数量: 1000 個/リール NUMBER OF CONNECTORS: 1000 PCS/REEL
- リードテープ長さ LEAD TAPE LENGTH
 トップテープ リーダー部 TOP TAPE LEADER PART 175 ±25
 トップテープ 未接着部 TOP TAPE NON-BONDED PART 25 ±5
 リーダー部 (空部) LEADER PART (EMPTY) 120 ±20
 部品挿入部 COMPONENT SUPPLIER
 末端部 (空部) TAIL PART (EMPTY) 150 ±40
- トップテープの剥離強度: 0.1 ~ 1.3N (10 ~ 130gf) (剥離方向は下図参照)
 尚、本規格値は、出荷時に適用。(但し、輸送時に剥離が発生しない事。)
 PEELING OFF FORCE OF TOP TAPE: 0.1 ~ 1.3N (10 ~ 130gf)
 (PEELING DIRECTION AS SHOWN IN FOLLOWING FIG.)
 THIS REQUIREMENT SHOULD BE APPLIED AT SHIPMENT
 PEEL OFF SHOULD NOT BE ALLOWED, DURING TRANSPORTATION
 剥離方向 PEEL OFF DIRECTION 10°
- 材料
 キャリアテープ: ポリプロピレン (PP) CARRIER TAPE: POLYPROPYLENE
 トップテープ: PET, PE, PEF TOP TAPE: PET, PE, PEF
 リール: ポリスチレン (PS) REEL: POLYSTYRENE (PS)
 <リサイクル材を含む> <RECYCLE MATERIAL CONTAINED>
- 本製品は 52465-***91 の鉛フリー品である。
 THIS PRODUCT IS LEAD FREE OF 52465-***91.



16	17.5	9.1	52465-1871	18
		8.3	52465-1671	16
		7.5	52465-1471	14
		6.7	52465-1271	12
		5.9	52465-1071	10
キャリアテープ幅 CARRIER TAPE WIDTH	B	(A)	MATERIAL NO.	CIRCUITS

EC NO. DRWN: CHK: APPR:	EC NO. DRWN: CHK: APPR:	EC NO. DRWN: CHK: APPR:	EC NO. DRWN: CHK: APPR:	EC NO. DRWN: CHK: APPR:

RELEASED '04/02/17 EC NO. J2004-2482 DRWN: Y.SAKIYAMA CHK: M.SASAO APPR: M.SASAO	DESCRIPTION MATERIAL 材料 SEE NOTES
FINISH 仕上げ //	
WIRE RANGE 適用電線範囲 //	
INS. RANGE 被覆外径 //	

GENERAL TOLERANCES: (UNLESS SPECIFIED) 一般公差	SCALE	DESIGN UNITS mm □ INCH	THIRD ANGLE PROJECTION
10 UNDER 未満 ±0.2	---	mm □ INCH	☉ □
10 OVER 30 UNDER 未満 ±0.25			
30 OVER 以上 ±0.3			
ANGLE 角度 ±3°			

MODEL NO. 52465-***71	DIMENSIONS: mm □ INCH		SHT	REV
	mm	INCH		
DRAWN BY & DATE Y.SAKIYAMA '04/02/17				
CHECKED BY & DATE M.SASAO '04/02/17				
APPROVED BY & DATE M.SASAO '04/02/17				
TITLE: 0.8 B-To-B Hsg Assy SMT Embstp Pkg -LEAD FREE-				
MATERIAL NO. SEE CHART			DRAWING NO. SD-52465-029	SHEET NO. 1 OF 2
THIS DRAWING CONTAINS INFORMATION THAT IS PROPRIETARY TO MOLEX INCORPORATED AND SHOULD NOT BE USED WITHOUT WRITTEN PERMISSION.				SIZE B

DO NOT SCALE DRAWING

DWG. NO.
SD-52465-029

8

7

6

5

4

3

2

F

E

D

C

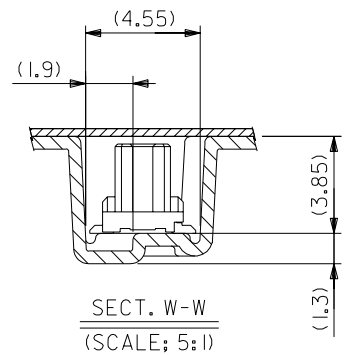
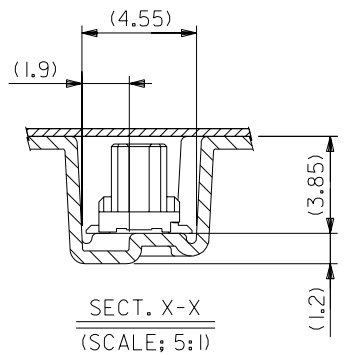
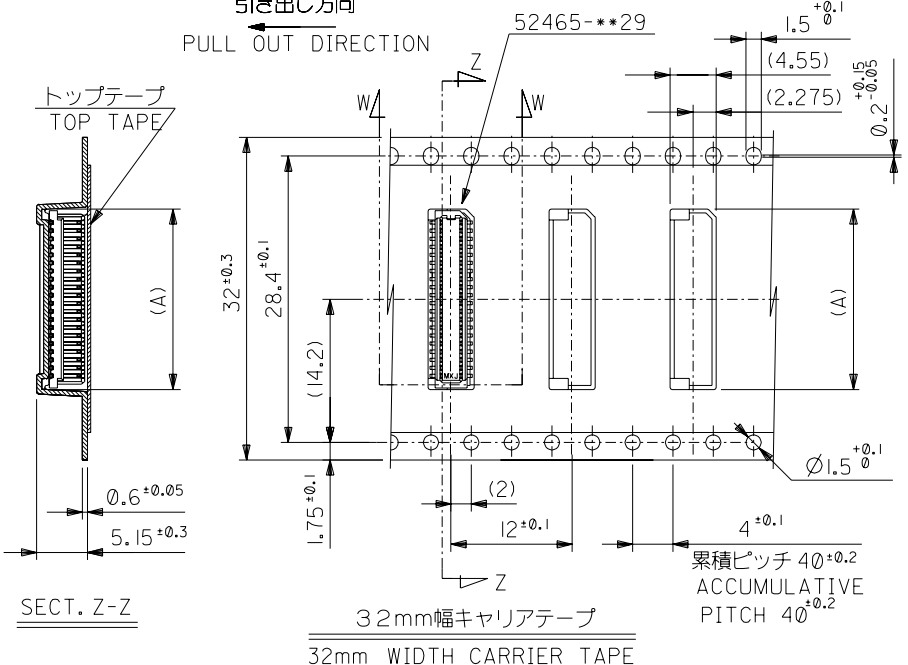
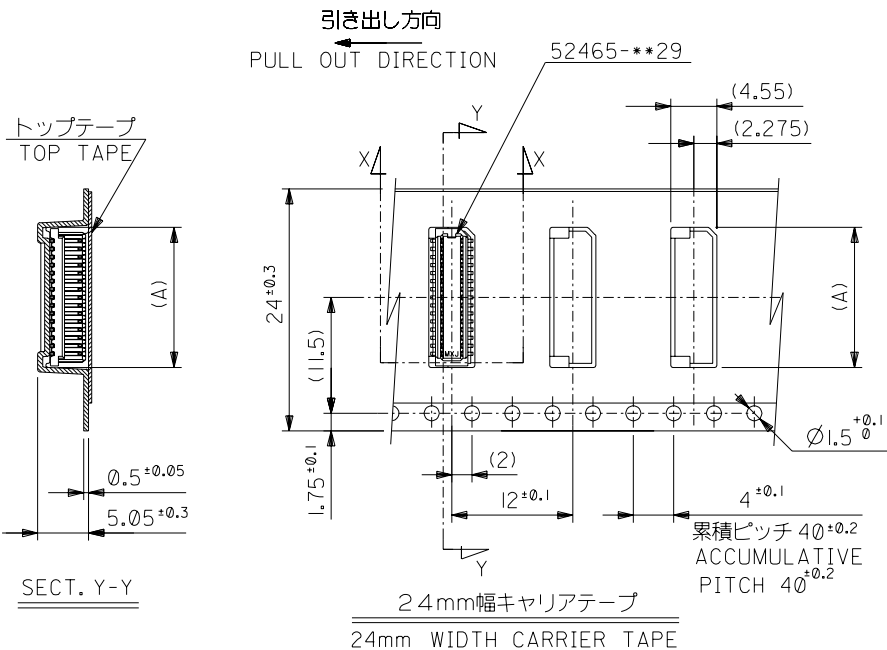
B

A

▽

B

DO NOT SCALE DRAWING



32	33.5	17.9	52465-4071	40
		17.1	52465-3871	38
24	25.5	16.3	52465-3671	36
		15.5	52465-3471	34
		14.7	52465-3271	32
		13.9	52465-3071	30
		13.1	52465-2871	28
		12.3	52465-2671	26
		11.5	52465-2471	24
		10.7	52465-2271	22
		9.9	52465-2071	20
キャリアテープ幅 CARRIER TAPE WIDTH	B	(A)	MATERIAL NO.	CIRCUITS

EC NO. DRWN: CHK: APPR:	EC NO. DRWN: CHK: APPR:	EC NO. DRWN: CHK: APPR:	EC NO. DRWN: CHK: APPR:	EC NO. DRWN: CHK: APPR:	EC NO. DRWN: CHK: APPR:
RELEASED '04/02/17 EC NO. J2004-2482 DRWN: Y.SAKIYAMA CHK: M.SASAO APPR: M.SASAO					
REV	DESCRIPTION				
0	MATERIAL 材料 SEE SHEET 1 OF 2 FINISH 仕上げ // WIRE RANGE 適用層被範囲 // INS. RANGE 被覆外径 //				

GENERAL TOLERANCES: (UNLESS SPECIFIED) 一般公差		SCALE	DESIGN UNITS	THIRD ANGLE PROJECTION	DIMENSIONS:	SHT	REV
10 UNDER 未満	±0.2	---	<input checked="" type="checkbox"/> mm <input type="checkbox"/> INCH	<input checked="" type="checkbox"/> mm <input type="checkbox"/> INCH	<input type="checkbox"/> mm <input type="checkbox"/> INCH		
10 OVER 30 UNDER 未満	±0.25						
30 OVER 以上	±0.3						
ANGLE 角度	±3°						

MODEL NO.		52465-**71		DIMENSIONS:		SHT	REV
DRAWN BY & DATE		Y.SAKIYAMA '04/02/17		THIRD ANGLE PROJECTION			
CHECKED BY & DATE		M.SASAO '04/02/17		TITLE:			
APPROVED BY & DATE		M.SASAO '04/02/17		0.8 B-To-B Hsg Assy SMT			
CAD FILENAME		SD-52465-029.S02		Embstp Pkg -LEAD FREE-			
MATERIAL NO.		SEE CHART		MATERIAL NO.		DRAWING NO.	SHEET NO.
						SD-52465-029	2 OF 2
THIS DRAWING CONTAINS INFORMATION THAT IS PROPRIETARY TO MOLEX INCORPORATED AND SHOULD NOT BE USED WITHOUT WRITTEN PERMISSION.						SIZE	B

8

7

6

5

4

3

2

EN-02J(097) MXJ-54

SD-52465-029.S02