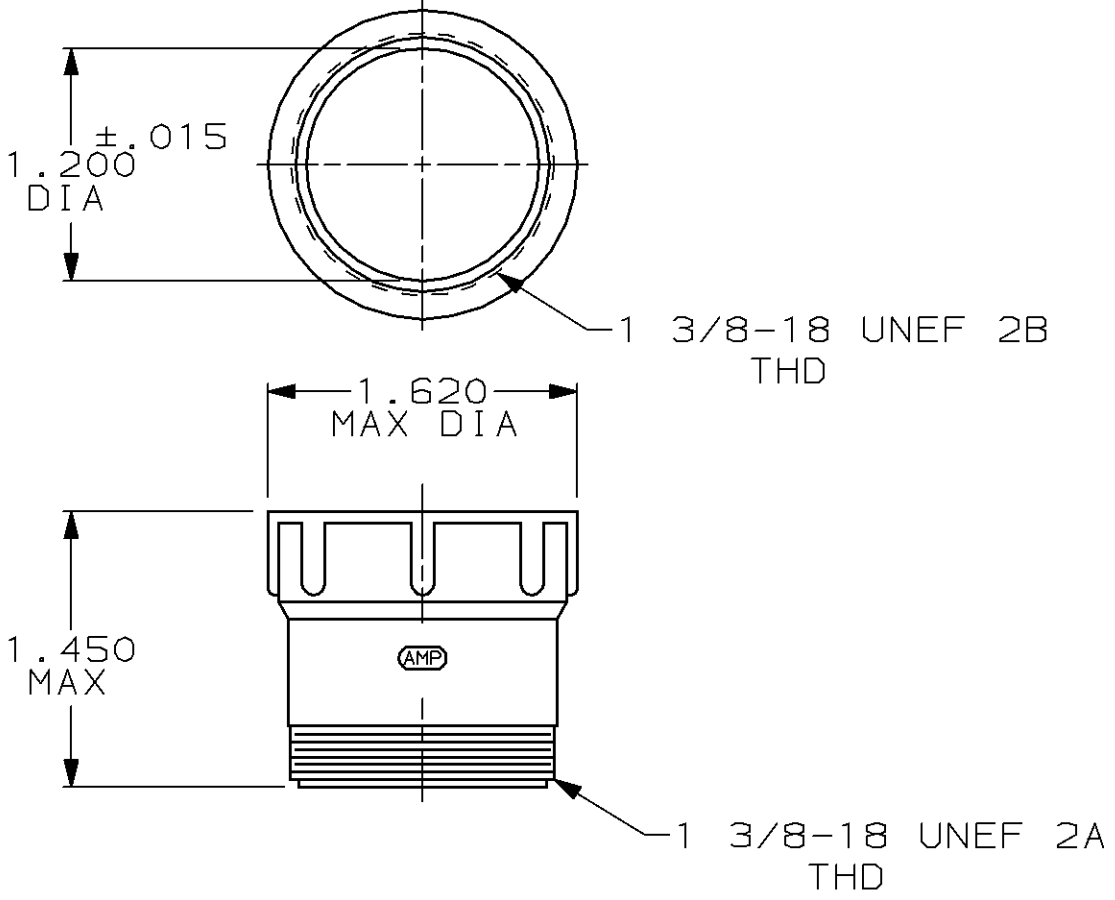


LOC	DIST	REVISIONS					
		P	LTR	DESCRIPTION	DATE	DWN	APVD
BD	35		B	REDRAWN	31 JUL 90	-	KB
			C	REVISE PER EC 0020-750-95	26 JUL 95	CR	RB



THIS DRAWING IS UNPUBLISHED. BY AMP INCORPORATED. ALL RIGHTS RESERVED. COPYRIGHT 19

207055-1
PART
NUMBER

DIMENSIONS: INCHES	DWN	S.RIDGLEY	31 JUL 90	MATERIAL	GLASS FILLED NYLON	FINISH	-		
	CHK	R.STONE	26 APR 91	AMP Incorporated Harrisburg, PA 17105-3608					
TOLERANCES UNLESS OTHERWISE SPECIFIED:	APVD	K.BEAVER	30 APR 91					NAME	BACKSHELL EXTENDER, SIZE 23, CPC
	0 PLC	±-	PRODUCT SPEC	SIZE	A4	CAGE CODE	00779	DRAWING NO	C=207055
1 PLC	±-	APPLICATION SPEC	WEIGHT	CUSTOMER DRAWING		SCALE	1:1	SHEET	1 OF 1
2 PLC	±-							REV	C
3 PLC	±-								
4 PLC	±-								
ANGLES	±-								

