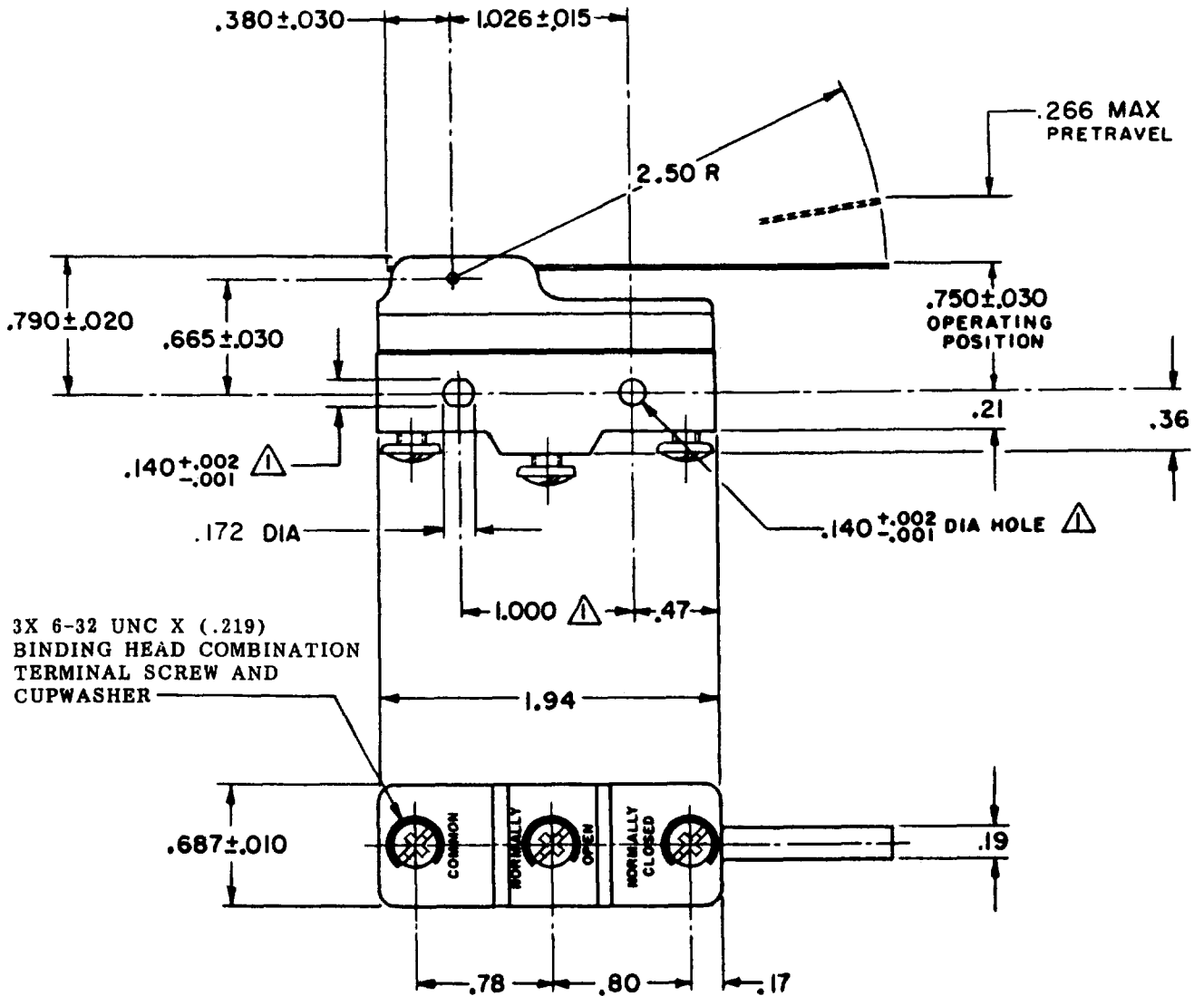


MICRO SWITCH
 A DIVISION OF MINNEAPOLIS-HONEYWELL REGULATOR COMPANY
 FREEPORT, MINNESOTA

SWITCH - BASIC

CATALOG LISTING
BZ - RW84 - A2

FED. MFR. CODE 91929



NOTE -
 ▲ MOUNTING HOLES WILL ACCEPT PINS OR SCREWS OF .139 MAX DIA ON 1.000 ± .002 CENTERS

THIS DRAWING COVERS A PROPRIETARY ITEM AND IS THE PROPERTY OF MICRO SWITCH, A DIVISION OF MINNEAPOLIS-HONEYWELL REGULATOR CO. THIS DRAWING IS NOT TO BE COPIED OR USED WITHOUT THE APPROVAL OF MICRO SWITCH.

CHARACTERISTICS	ELECTRICAL DATA	SCALE FULL
OPERATING FORCE----- 3/4 OZ MAX	CONTACT ARRANGEMENT S P D T	DO NOT SCALE PRINT
RELEASE FORCE----- 1/8 OZ MIN	L103 15A 125, 250 OR 480 VAC 1/8HP 125 VAC, 1/4HP 250 VAC	UNLESS OTHERWISE SPECIFIED DIMENSIONS ARE IN INCHES
DIFFERENTIAL TRAVEL----- .003-.015	L288	TOLERANCES ARE:
OVERTRAVEL----- .219 MIN	L299	ONE PLACE (.0) ±.030
	L306	TWO PLACE (.00) ±.015
		THREE PLACE (.000) ±.005
		ANGLES ±
	16A 250V ~ T85 5E4	WEIGHT .073 LB

CATALOG LISTING
BZ - RW84 - A2
 PAGE 1 OF 1
 ISSUE 11
 REVISIONS
 A CO 16736 6 C H 27 APRIL 62
 B CO 23645 M B F 23 JAN 68
 C CO-73287-J J A L 22 NOV 93
 D CO-77589 J A L 30 MAR 94
 E 203155 CSL 24 MAY 01
 RASTER
 0-80378
 G C H 27 APRIL 62
 CHECK DAW 29 MAY 62
 CHECK DAW 29 MAY 62
 REPLACES
 RELEASE NO.

