

MICRO SWITCH

FREEDPORT, ILLINOIS, U.S.A.
A DIVISION OF HONEYWELL

FED. MFG. CODE 91929

SWITCH - TOGGLE

CATALOG LISTING
12TWI-12 SERIES

CHART 1

THIS DRAWING COVERS A PROPRIETARY ITEM AND IS THE PROPERTY OF MICRO SWITCH, A DIVISION OF MINNEAPOLIS-HONEYWELL REGULATOR CO. THIS DRAWING IS NOT TO BE COPIED OR USED WITHOUT THE APPROVAL OF MICRO SWITCH.

M12TWI-12 SERIES
 DRAWING NUMBER
 ISSUE
 7
 X
 3
 X
 3

REPLACES

RELEASE NO. CO-30386

CHECK

19 APR 72

CHECK

15 APR 72

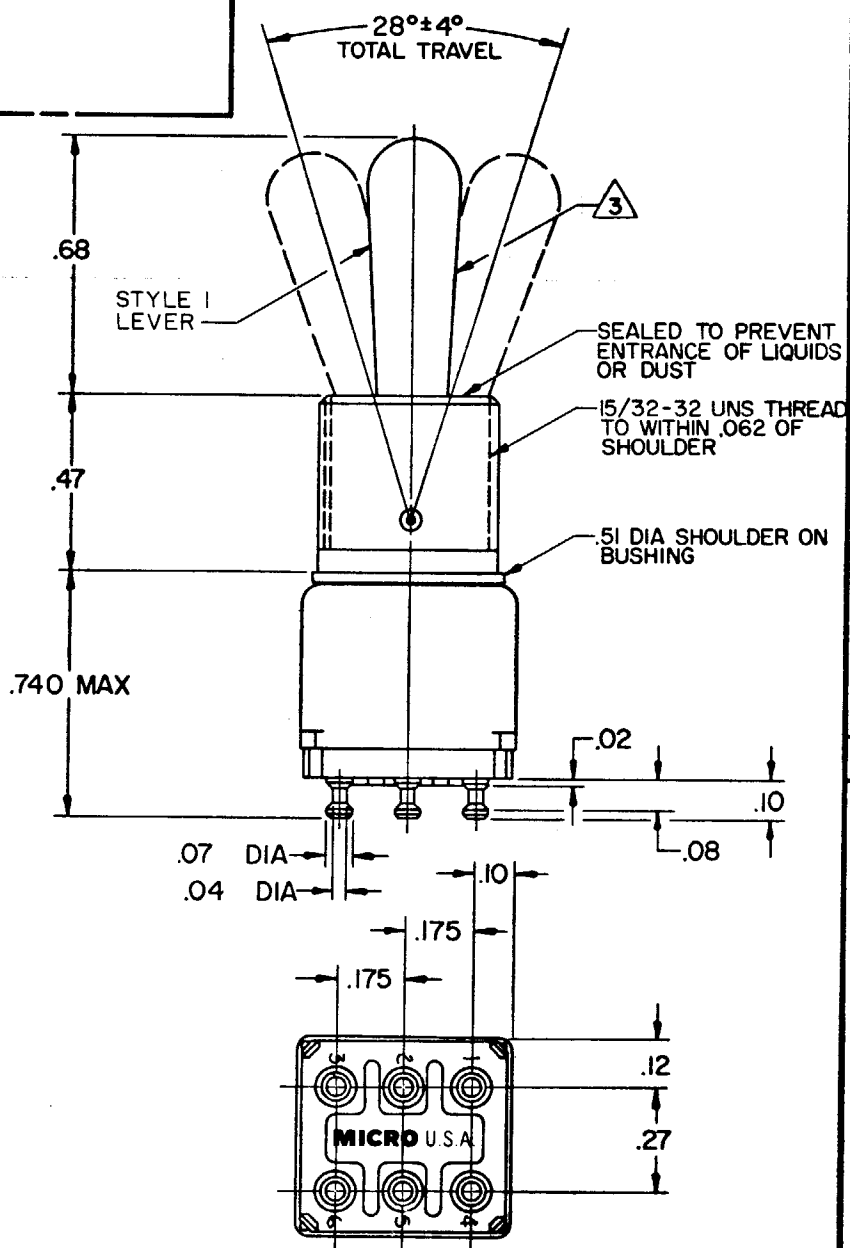
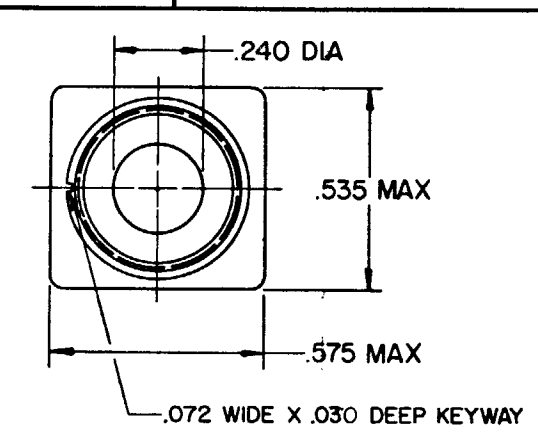
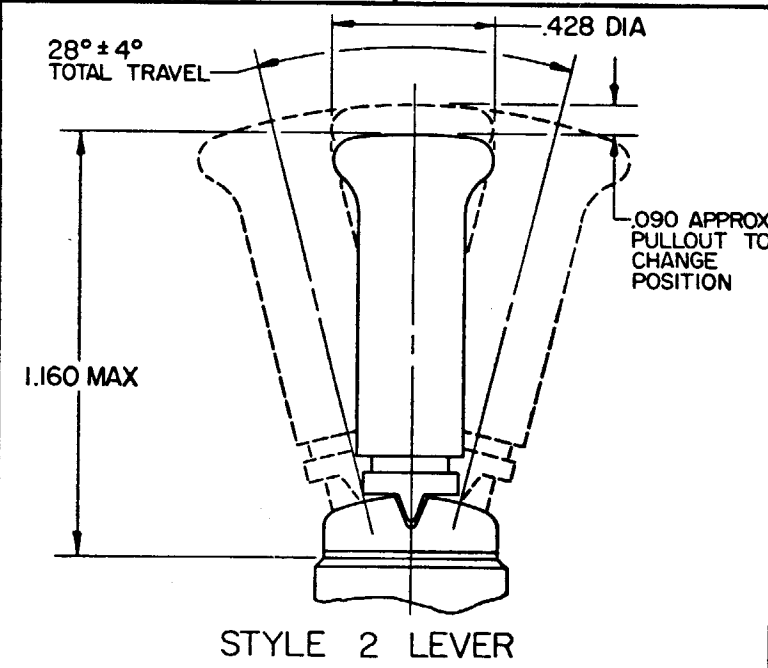
CHECK

12 APR 72

DRAWN

REVISIONS

A	CO	32243	GLH	20 JUN 73
B	CO	50565	TSK	15 DEC 81
C	CO	056672	JAS	FEB 85
D	CO	058417	KEW	DEC 85
E	CO	061252	JAP	MAR 87
F	CO	062939	TSK	24 FEB 88

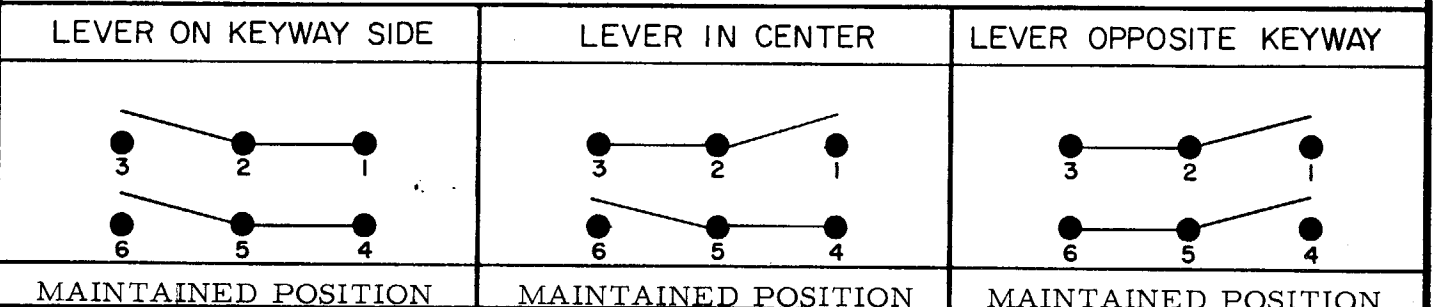


4

CAT. LIST.	AVAILABLE LOCKING COMBINATIONS FOR CONFIGURATION SEE LETTERED DETAILS	STYLE NO.	ELECTRICAL DATA			MS NUMBER
12TWI-12		1	-L117-	5A-125 VAC	MS27753-34	
12TWI-12	AB,DE,FG,H,J,K,L,M,N,P	2			MS27754-34	

"A" LOCKED IN THREE POSITIONS	"B" LOCKED IN CENTER AND EXTREME POSITION (KEYWAY SIDE)	"D" LOCKED OUT OF CENTER POSITION	"E" LOCKED IN CENTER POSITION	"F" LOCKED IN EXTREME POSITION (OPPOSITE KEYWAY)	"G" LOCKED IN EXTREME POSITION (KEYWAY SIDE)
"H" LOCKED OUT OF CENTER AND EXTREME POSITION (KEYWAY SIDE)	"J" LOCKED OUT OF CENTER AND EXTREME POSITION (OPPOSITE KEYWAY)	"K" LOCKED IN CENTER AND EXTREME POSITION (OPPOSITE KEYWAY)	"L" LOCKED OUT OF EXTREME POSITION (KEYWAY SIDE)	"M" LOCKED OUT OF AND INTO EXTREME POSITION (OPPOSITE KEYWAY)	"N" LOCKED OUT OF EXTREME POSITION (OPPOSITE KEYWAY)
"P" LOCKED OUT OF AND INTO EXTREME POSITION (KEYWAY SIDE)	.47 DIA .018 REF .60 DIA LOCKWASHER (PART NO. TS-10013)				
		DIMENSIONS TO FIT KEYWAY IN BUSHING .05 .110 .392 .040 .72 DIA LOCKING RING (PART NO. EN-12449)		15/32-32 UNS-2 THREAD .078 .56 HEX NUT (2) (PART NO. TL-10632)	

CIRCUIT DIAGRAM



NOTES:

- FURNISHED UNASSEMBLED
- TERMINALS ARE PLATED FOR SOLDERING
- MATTE FINISH
- SUFFIX LETTER MUST BE ADDED FOR DESIRED TYPE TOGGLE LOCKING. SEE CHART FOR AVAILABLE LOCKING COMBINATIONS.

SCALE 2 TO 1
DO NOT SCALE PRINT
UNLESS OTHERWISE NOTED
DIMENSIONS ARE IN INCHES
TOLERANCES ARE:
ONE PLACE (.01) .030
TWO PLACE (.00) .018
THREE PLACE (.000) .005
ANGLES
WEIGHT