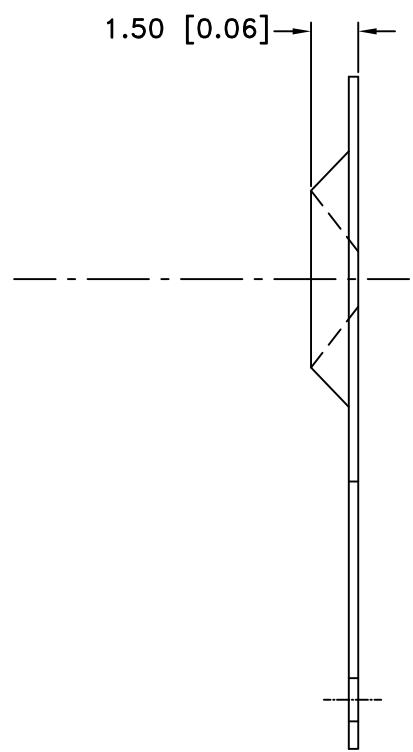
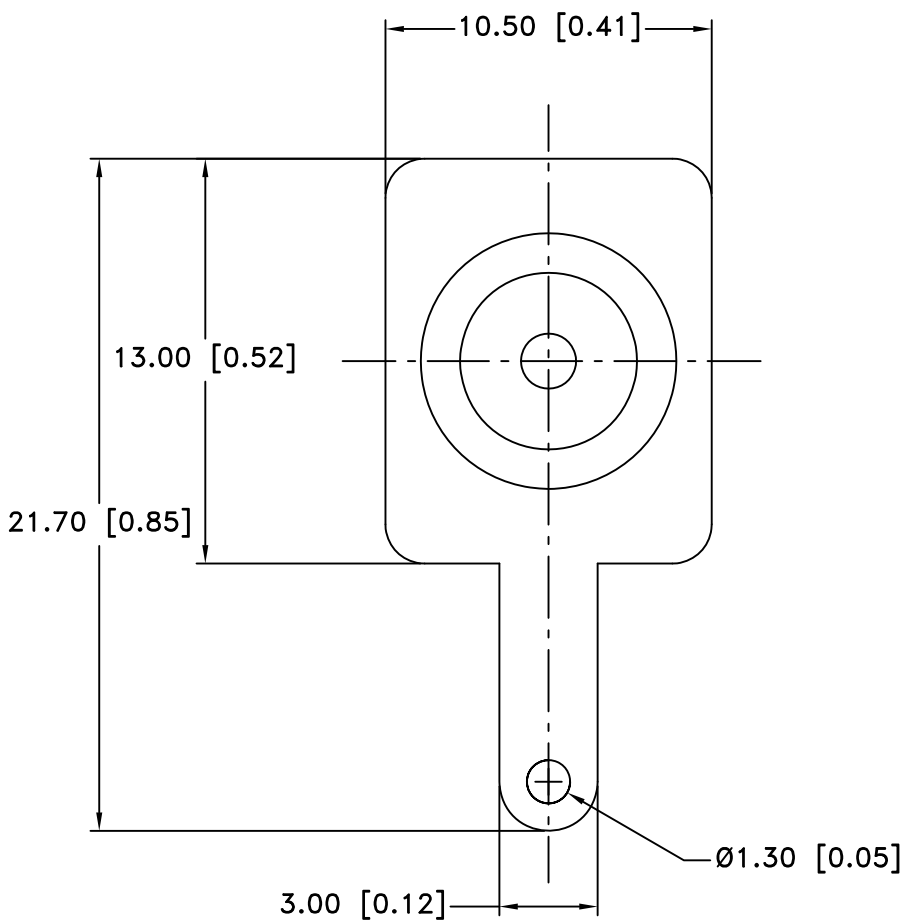



| Date | SYM | REVISION RECORD | AUTH | DR. | CK. |
|----------|-----|-----------------------------|------|------|-----|
| 08/18/05 | A | BASE MATERIAL WAS BRASS | T.B. | B.S. | |
| 4/15/06 | B | ADDED "ROHS COMPLIANT" | T.B. | B.S. | |
| 11/21/14 | C | UPDATED TO ROHS 2 COMPLIANT | T.B. | B.S. | |
| 03/24/17 | D | UPDATED NOTE | T.B. | B.S. | |
| | | | | | |



NOTES:
 1. BASE: STEEL, 0.3mm (0.012") THICK. ELECTROLYTIC BRIGHT TIN PLATED.
 2. ROHS 2 COMPLIANT

| | | | |
|--------------------------------|---|---------------------------|------------------|
| Tolerance (Except as noted) |  Memory Protection Devices, Inc 200 Broad Hollow Road, Farmingdale, New York 11735 | Scale | Drawn By B.S. |
| | | | Approved By T.B. |
| Fractional ± .8 (.030) | Title "AA" BATTERY POSITIVE CONTACT | | |
| Angular ± 3° | Date 03/24/17 | Drawing Number SN-T5-2 | |