

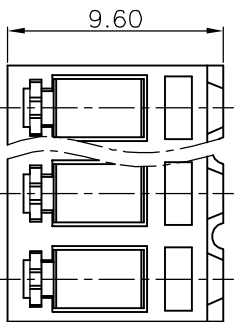
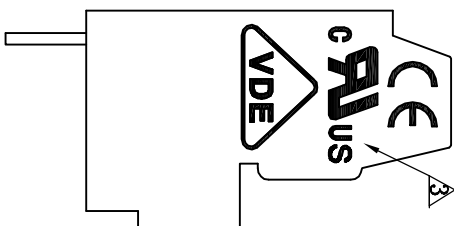
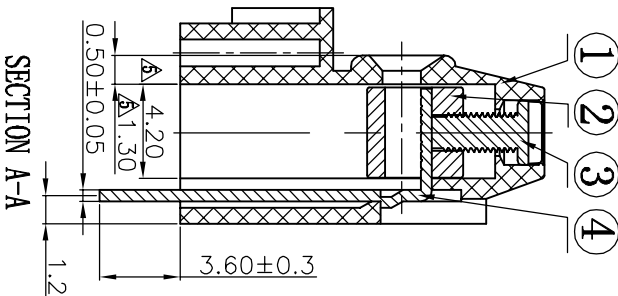
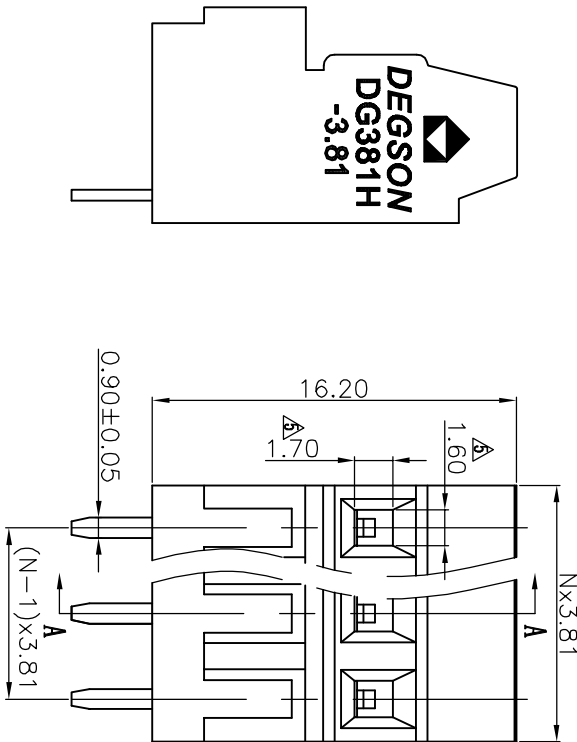
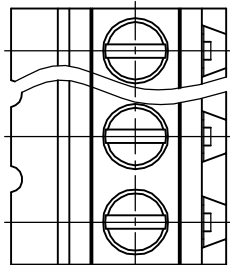
REVISION RECORD

REV	ECO	DESCRIPTION	DRFT	DATE
Δ		Drawing Revise	Haoyh	03/06/08
Δ		增加U刻字	CSX	10/10/06
Δ		增加VDE刻字	CSX	10/19/07
Δ		品名、料号增加环保标示“(H)”	CSX	12/10/07
Δ		按客户要求增加尺寸标注	LJH	04/26/08

Notes:

1. Pitch: 3.81mm, Poles: 2-24P
2. Rated voltage/current: UL 150V/10A
VDE 130V/10A
3. Operation temperatures: -40°C ~ +105°C
4. Withstanding Voltage: AC2000V/1Min
5. Insulation Resistance: 5000MΩ/DC1000V
6. Wire Range: 26~16AWG, 1.0mm²
7. Max. Torque Value: M2, 2.04kgf.cm
8. Undimensioned Tolerances:

Pitch range in mm	Nominal dimension range	
	over	over
to 6	to 10	to 100
to 10	to 24	to 150
to 15	to 28	to 30
to 25	to 30	to 60
to 30	to 30	to 100
to 40	to 30	to 150



4	DG381H Pin header	4033B00010 (H)	XX	Phosphor bronze	SnCe
3	DG381 Screws	S000001440 (H)	XX	Steel	C ² Zn
2	DG381 Brass cage	X000000300 (H)	XX	Brass	Ni plated

1	ITEM	NAME OF PART	NO. OF PART	Q'TY	MATERIAL	NOTES
1		DG381H-3.81-Housing	4033A0YXXA (H)	1	P166	UL94V-0

DETACHED LISTS

UNIT	MIN	MAX
MM	0.00 ±	±
MM	0.00 ±	±
MM	0.00 ±	±

ANGLES ± 1°

THIRD ANGLE PROJECTION

DATE	03/25/04
DATE	
DATE	
DATE	

NAME: DG381H-3.81-XXP-1Y-00A(H)

DRAWING NO. DG381H-3.81-E01

SIZE: A3

REV: 15

DATE: 04/26/08

4	3	2	1
SCALE:			
DO NOT SCALE DRAWING			
SHEET 1	OF 1		