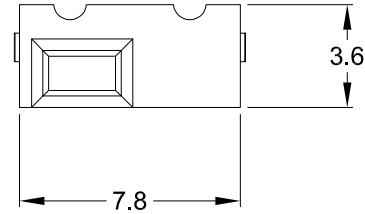
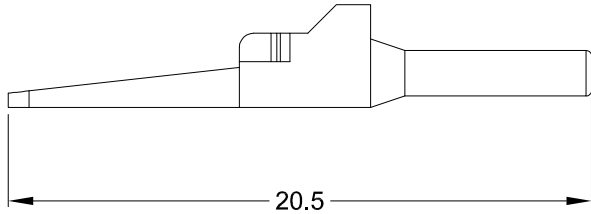
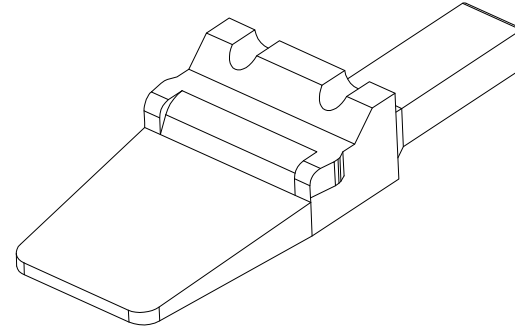
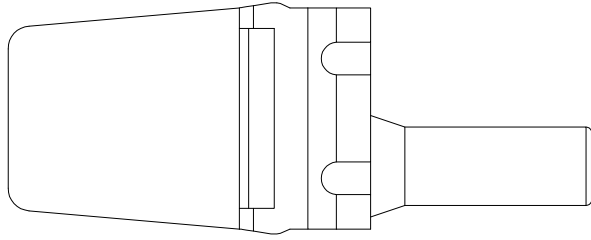


REVISIONS					
REV	ECO	DESCRIPTION	DATE	BY	APPR
A3		RELEASE NEW DWG FORMAT	24/JUL/13	DRP	



NOTES: UNLESS OTHERWISE SPECIFIED

1. MATERIAL: THERMOPLASTIC; COLOR: ORANGE
2. RoHS COMPLIANT
3. CAVITIES: 2
4. KEYED: N/A
5. USE WITH CONNECTORS ATM04-2P*
(* = MODIFICATIONS AND COLORS)
6. ALL DIMENSIONS ARE FOR REFERENCE USE ONLY.

AWM-2P											
PART NUMBER		DESCRIPTION		ITEM							
QUANTITY	MATERIALS LIST										
<p>UNLESS OTHERWISE SPECIFIED</p> <p>1) All dimensions are in metric (mm).</p> <p>2) Tolerances are as follows:</p> <table border="0"> <tr> <td>1 PL DEC ±0.30</td> <td>Fractons ±1/64</td> </tr> <tr> <td>2 PL DEC ±0.15</td> <td>Angles ±1°</td> </tr> <tr> <td>3 PL DEC ±0.08</td> <td></td> </tr> </table> <p>3) Note reference = </p>		1 PL DEC ±0.30	Fractons ±1/64	2 PL DEC ±0.15	Angles ±1°	3 PL DEC ±0.08		<p>SIGNATURES</p> <p>DATE</p> <p>DRAWN: D.PARKS 24/JUL/13</p> <p>CHECKED:</p> <p>ENGINEER:</p> <p>APPROVAL:</p> <p>CUSTOMER:</p>		<p>Amphenol</p> <p>Sine Systems - www.amphenol-sine.com 44724 Morley Drive Clinton Township, MI 48036</p>	
1 PL DEC ±0.30	Fractons ±1/64										
2 PL DEC ±0.15	Angles ±1°										
3 PL DEC ±0.08											
MATERIAL SPECIFICATIONS:		THIS DRAWING IS SUPPLIED FOR INFORMATION ONLY. DESIGN FEATURES, SPECIFICATIONS AND PERFORMANCE DATA SHOWN HEREON ARE THE PROPERTY OF THE AMPHENOL CORPORATION. NO RIGHTS OF REPRODUCTION ARE IMPLIED. ALL DIMENSIONS ARE SUBJECT TO NORMAL MANUFACTURING VARIATIONS.		<p>P-WEDGELOCK, 2 POSITION, ATM SERIES</p>							
PROCESS SPECIFICATIONS:		SIZE	TYPE	DWG NO:	REVISION						
NEXT ASSY:		A	C-	AWM-2P	A3						
		SCALE: NONE		SHEET 1 OF 1							