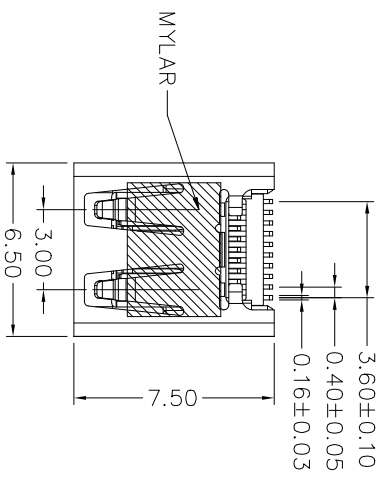


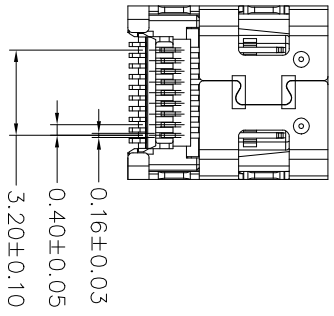
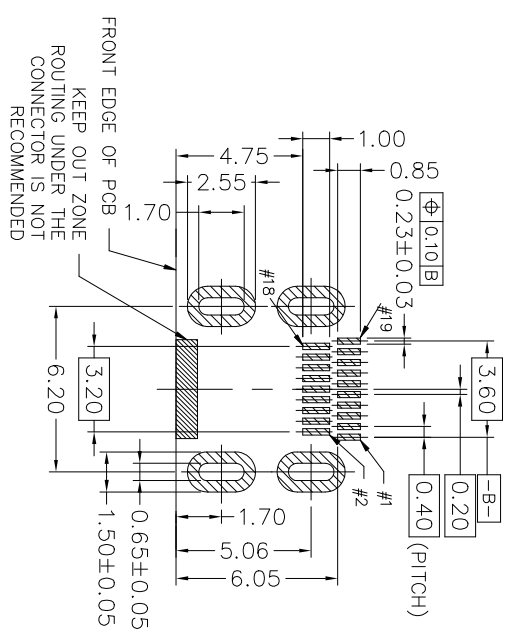
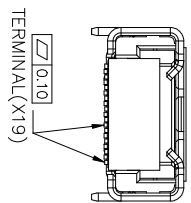
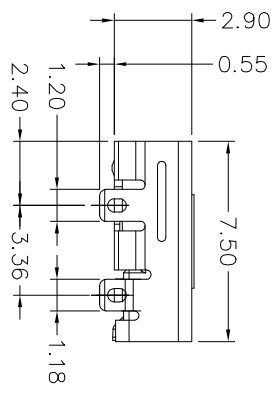
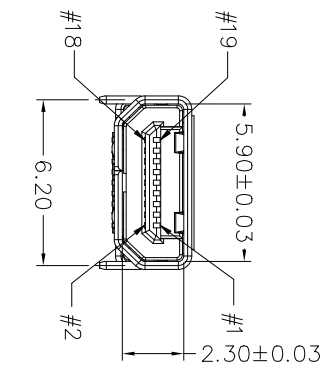
PART NUMBER  
10118242-0X1RLF

PART NO. DESCRIPTION:  
10118242-XXXXLF



- LEAD FREE
- PACKAGING TYPE
- R: TAPE & REEL
- CONTACT AREA PLATING
- 1: Au 15u"
- 2: Au 30u"
- COLOR OPTION
- 0: BLACK
- 1: NATURAL
- MYLAR OPTION
- 0: WITH MYLAR
- 1: WITHOUT MYLAR

- NOTES:
- MATERIAL:  
HOUSING: LCP+30%GF, UL94 V-0, BLACK OR NATURAL  
TERMINAL: COPPER ALLOY.  
SHELL: STAINLESS STEEL
  - FINISH:  
CONTACT AREA: GOLD PLATED  
SOLDER AREA: GOLD FLASH PLATED  
SHELL: TIN PLATED  
NICKEL PLATED UNDER OVER ALL
  - PRODUCT SPECIFICATION: GS-12-0983.
  - PACKAGING SPECIFICATION: GS-14-2164.
  - THE PRODUCT MEETS EUROPEAN UNION DIRECTIVES AND OTHER COUNTRY REGULATIONS AS DESCRIBED IN GS-22-008.
  - THE CONNECTOR CAN WITHSTAND EXPLOSURE TO 260 DEGREE PEAK TEMPERATURE FOR 10 SECONDS IN IR REFLOW OVEN.



form: A3-2016-02-24

PDS: Rev: 6

ltr	ecn	no	dr	date	surface	tolerance	projection	product family
					ISO 1302	ASME Y14.5		HDMI
mat'l. code HPL528								
A	LS	09/13/11			tolerances unless otherwise specified			HDMI TYPE D RECEPTACLE
B	EX-N-02868	ZK	09/07/12		angles: .XX±0.25		MM	
C	EX-N-16428	HENRY	12/04/13	±1"	linear: .XX±0.20			
D	EX-N-24781	TONY	08/23/16	dr	±1"	.XXX±	scale 1:1	
E	EX-N-25475	TONY	11/25/16	engr	LEIF_SHEN	09/13/11		dwg no
F	EX-N-25898	TONY	01/12/17	chr	GARY_HSIEN	09/13/11		10118242
G	EX-N-28731	TONY	12/08/17	pppd	GARY_HSIEN	09/13/11		sheet 1 of 1
sheet	revision	G						A3
index	sheet	1						CUSTOMER Drawing