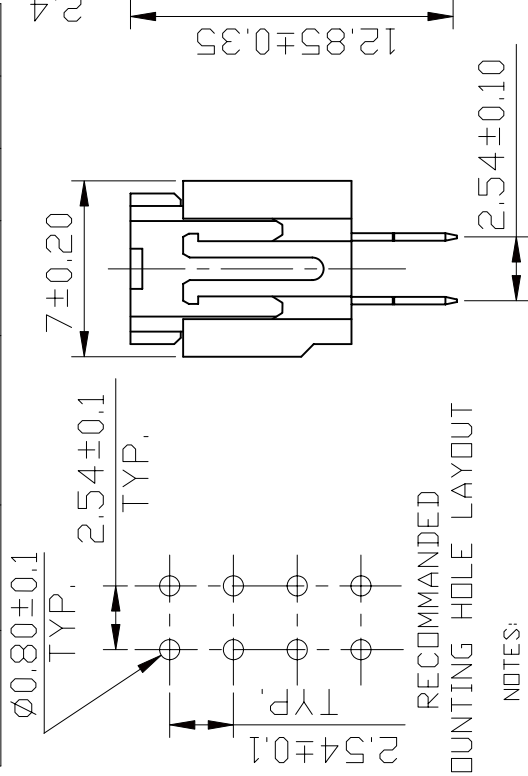


PRODUCT NO.
69830

PRODUCT NO.	COVER P/N	BASE ASSY P/N	NO. OF POSITION	A	B	C
69830-006(LF)	68118-006	69831-006(LF)	6	12.08	6.35	5.08
69830-008(LF)	68118-008	69831-008(LF)	8	14.62	8.89	7.62
69830-010(LF)	68118-010	69831-010(LF)	10	17.16	11.43	10.16
69830-014(LF)	68118-014	69831-014(LF)	14	22.24	16.51	15.24
69830-016(LF)	68118-016	69831-016(LF)	16	24.78	19.05	17.78
69830-018(LF)	68118-018	69831-018(LF)	18	27.32	21.59	20.32
69830-020(LF)	68118-020	69831-020(LF)	20	29.86	24.13	22.86
69830-024(LF)	68118-024	69831-024(LF)	24	34.94	29.21	27.94
69830-026(LF)	68118-026	69831-026(LF)	26	37.48	31.75	30.48
69830-030(LF)	68118-030	69831-030(LF)	30	42.56	36.83	35.56
69830-034(LF)	68118-034	69831-034(LF)	34	47.64	41.91	40.64
69830-040(LF)	68118-040	69831-040(LF)	40	55.26	49.53	48.26
69830-050(LF)	68118-050	69831-050(LF)	50	67.96	62.23	60.96
69830-060(LF)	68118-060	69831-060(LF)	60	80.56	74.93	73.66
69830-064(LF)	68118-064	69831-064(LF)	64	85.74	80.01	78.74

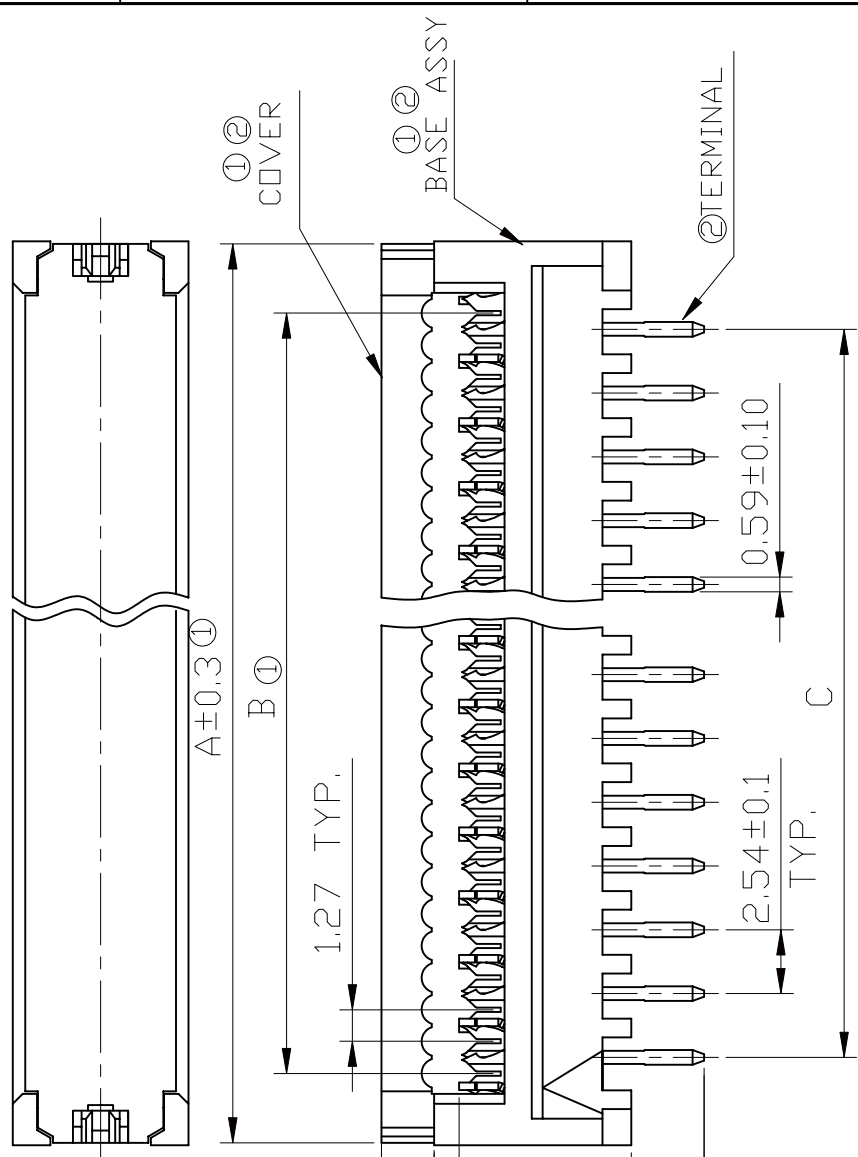


NOTES:

- SEE TABLE.
- MATERIAL:
BASE POLYESTER (PET) GLASS
COVER 30% FILLED, UL94V-0. COLOR: BLUE.
TERMINAL-----PHOSPHOR BRONZE.
- FINISH:
69830-***: ALL OVER SnPb PLATING 3.81um MIN. 1.27 um MIN. Ni UNDER PLATING.
69830-***LF: ALL OVER PURE Sn PLATING 3.81um MIN. 1.27 um MIN. Ni UNDER PLATING.
- APPLICABLE SPECIFICATIONS:
PRODUCT SPEC 110-019
CRIMPING (I.D.C) SPEC 100-004.
5. CONTACT RETENSION FORCE:
400gf/pin MIN. AGAINST THIS DIRECTION.
6. THE HOUSING OF XXXX-XYLF WILL WITHSTAND EXPOSURE TO 260°C PEAK TEMPERATURE FOR 5 SECONDS IN A WAVE SOLDER APPLICATION.

REVISIONS

REV	DESCRIPTION	BY	DATE
B	ECR LB277	HS	5/12/86
C	EC T20212		10/22/92
D	N05-0038	Jason	2/17/05
E	N05-0056	Jason	3/17/05



mat'l. code		tolerances unless otherwise specified		CUSTOMER	
ltr	ecr no.	dr	date	COPY	projection
D	N05-0038	ZC	2/17/05		MM
E	N05-0056	ZC	3/1/05		MM

angles	linear	conformal coating	engr	chr	appr
X±2°	.XX ± 0.15	Zhengcai Tao	Zhengcai Tao	Zhengcai Tao	Jason Zhou
	.XXX ± 0.05	2/17/05	2/17/05	2/17/05	2/17/05

product family	code
QUICKIE DIL PCB CONNECTOR (.100 SHORT LEG)	69830

sheet no	revision	sheet
1 of 1	A4	1 of 1