

MICRO SWITCH

FREEPORT, ILLINOIS, U.S.A.
A DIVISION OF HONEYWELL
FED. MFG. CODE 91929

SWITCH-TOGGLE

CATALOG
2TL1-12
CHAR

THIS DRAWING COVERS A PROPRIETARY ITEM AND IS THE PROPERTY OF MICRO SWITCH, A DIVISION OF HONEYWELL. THIS DRAWING IS NOT TO BE COPIED OR USED WITHOUT THE APPROVAL OF MICRO SWITCH.

CATALOG LISTING
M 2TL1-12 SERIES CHART 1
PAGE 1 OF 1

REPLACES 2TL1-12 SERIES

RELEASE NO. CO-78465

ISSUE
4

REVISIONS	
A	CO 78047
20	CO 80694
B	CO 94432
23	CO 99
C	0003011
	KRB 05 FEB 04

CHECK 06 FEB 04

CHECK MDM

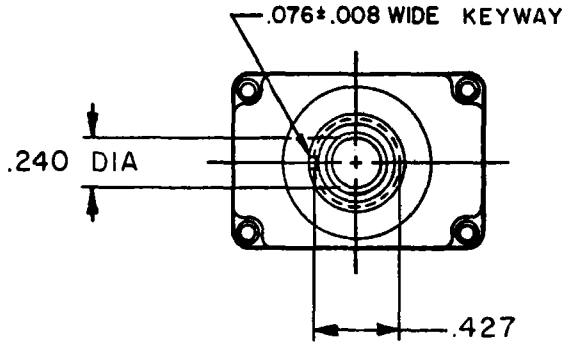
CHECK KAG 23 JUN 94

CHECK KDR 10 JUN 94

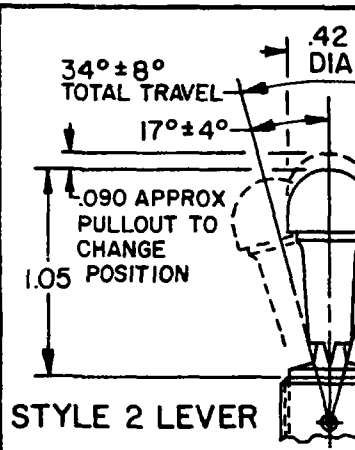
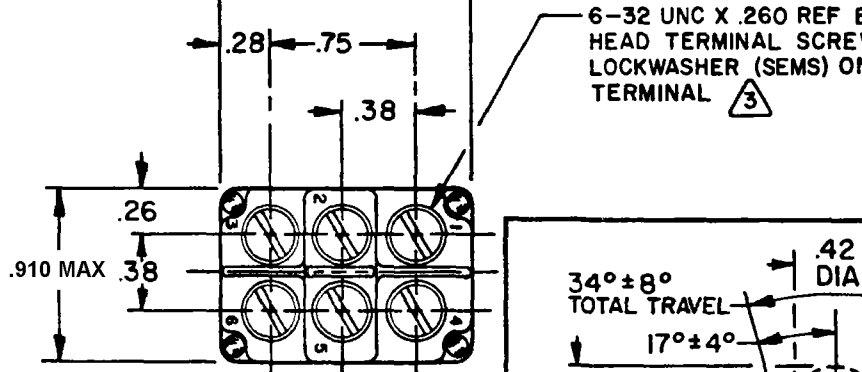
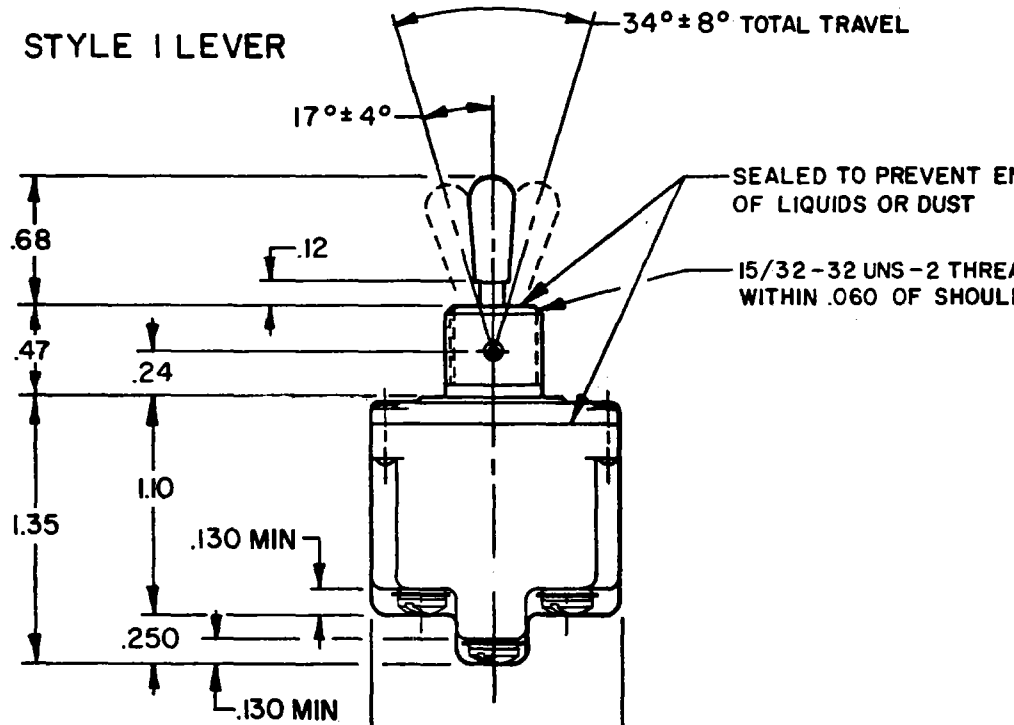
FORMTEK

DRAWN

SCALE FULL
DO NOT SCALE PRINT
UNLESS OTHERWISE NOTED
DIMENSIONS ARE IN INCHES
TOLERANCES ARE:
ONE PLACE (.0) ±.030
TWO PLACE (.00) ±.015
THREE PLACE (.000) ±.005
ANGLES ±.005
WEIGHT .15 LB APPROX



STYLE 1 LEVER



15A-125, 250 OR 277 VAC
1/2 HP-125VAC; 1HP-250, 277VAC
5A-125VAC "L" CODE L191

STYLE 2 LEVER

