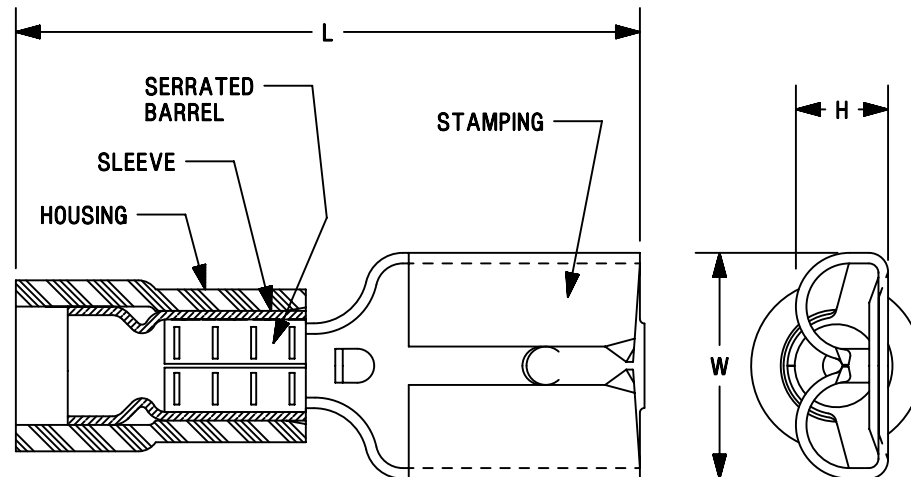


THIS COPY IS PROVIDED ON A RESTRICTED BASIS AND IS NOT TO BE USED IN ANY WAY DETRIMENTAL TO THE INTERESTS OF PANDUIT CORP.

PANDUIT PART #	TAB SIZE	WIRE RANGE		HOUSING COLOR	DIMENSIONS in. [mm]		
		ENGLISH	METRIC		L ± .03 [0,8]	W ± .01 [0,3]	H ± .01 [0,3]
DNF18-188	.187 X .020 [4,8 X 0,5]	22-18	0,5-1,0	RED	.76 [19,3]	.23 [5,8]	.10 [2,5]
DNF14-188	.187 X .020 [4,8 X 0,5]	16-14	1,5-2,5	BLUE	.76 [19,3]	.23 [5,8]	.10 [2,5]

NOTES:

- USED FOR:
  - A. STRANDED COPPER WIRE ONLY
  - B. 194°F [90°C] MAX. OPERATING TEMPERATURE
  - C. 300 V. MAX. VOLTAGE RATING
- MATERIAL:
  - A. STAMPING: .016 [0,4] THICK BRASS, TIN PLATED
  - B. HOUSING: NYLON
  - C. SLEEVE: TIN PLATED BRASS
- INSTALLATION TOOLS:
  - A. UL LISTED AND CSA CERTIFIED:  
CT-600-A W/CT-500CH FOR DNF18  
CT-600-A W/CT-500CH OR CT-550CH FOR DNF14
  - B. PANDUIT APPROVED:  
CT-400, CT-460 (FOR DNF14-188 ONLY)  
CT-1550, CT-1551, CT-2500
- WIRE STRIP LENGTH: 9/32 <sup>+0,8</sup>/<sub>0</sub> [7,1 <sup>+0,8</sup>/<sub>0</sub>]
- SEE [www.panduit.com](http://www.panduit.com) FOR PACKAGE QUANTITIES INDICATED BY PART NUMBER SUFFIX
- DIMENSIONS IN BRACKETS ARE METRIC EQUIVALENT



LISTED  
20H3  
E78522



CERTIFIED  
LR31212

TITLE <b>NON-INSULATED FEMALE DISCONNECT, FUNNELED WIRE ENTRY ( 188 SERIES )</b> CUSTOMER DRAWING				
ITEM REVISION NAME		N41313BA/12		
DATASET FILE NAME		N41313BA_DC_12A		
UNLESS OTHERWISE SPECIFIED, DIMENSIONAL TOLERANCES ARE: IN [mm]				<b>PANDUIT</b> <sup>TM</sup>  MATERIAL:  SEE NOTES
.x ± .1 [ 2.54 ]		.xxx ± .005 [ .127 ]		
.xx ± .01 [ .25 ]		ANGLES ± 5 °		DRAWING NUMBER: A41313
THIRD ANGLE PROJECTION		DRAWN BY DAW	DATE -	CHK -
SCALE N.T.S.		SHEET 1 OF 1		SIZE A

12	09.27.12	BDK	LCA	VMB	UL LISTED: REMOVED CT-500. ADDED DNF18/14 SPECIFIC NOTES PANDUIT APPROVED: REMOVED CT-100. ADDED CT-100A BROUGHT DRAWING TO CURRENT STANDARDS.	A41313
REV	DATE	BY	CHK	APR	DESCRIPTION	ECN

D10100DA/12