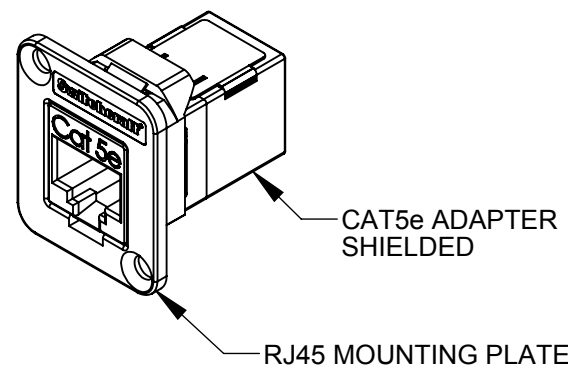
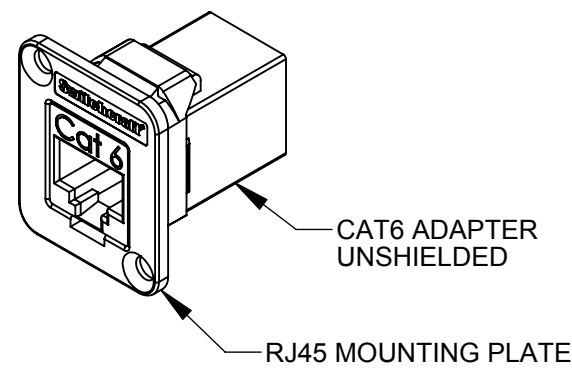


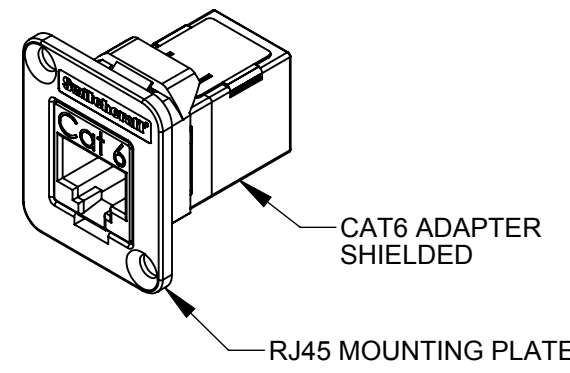
**EHRJ45P5E**  
UNSHIELDED



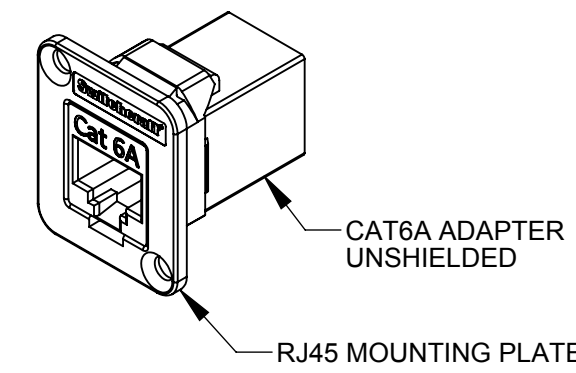
**EHRJ45P5ES**  
SHIELDED



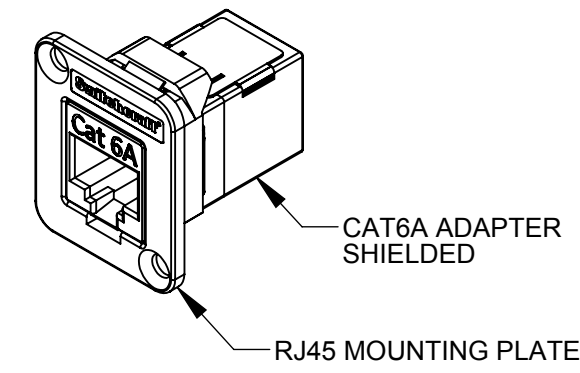
**EHRJ45P6**  
UNSHIELDED



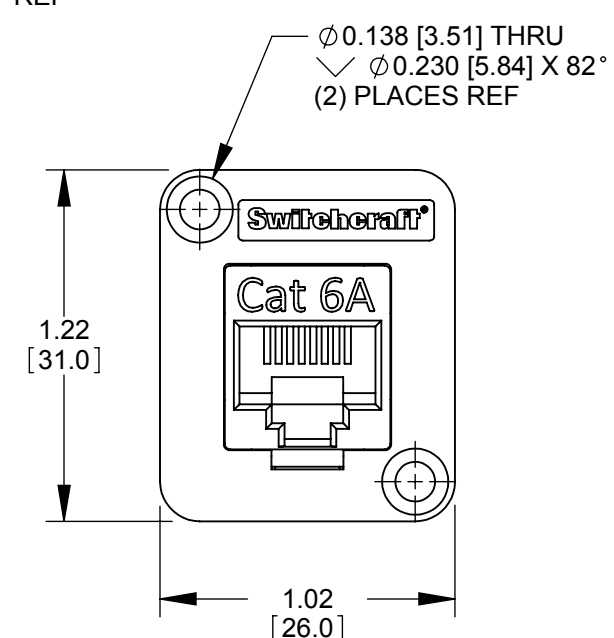
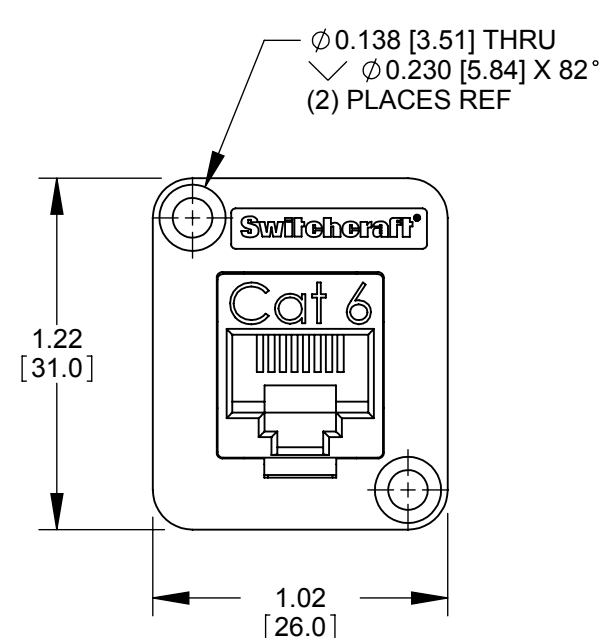
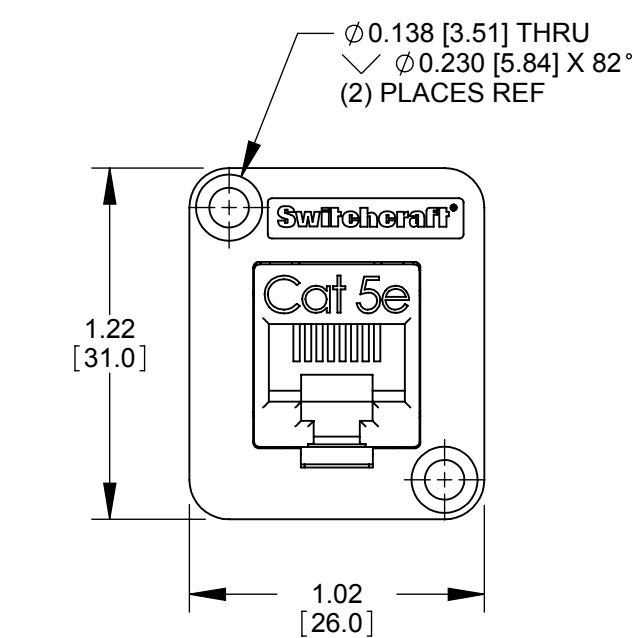
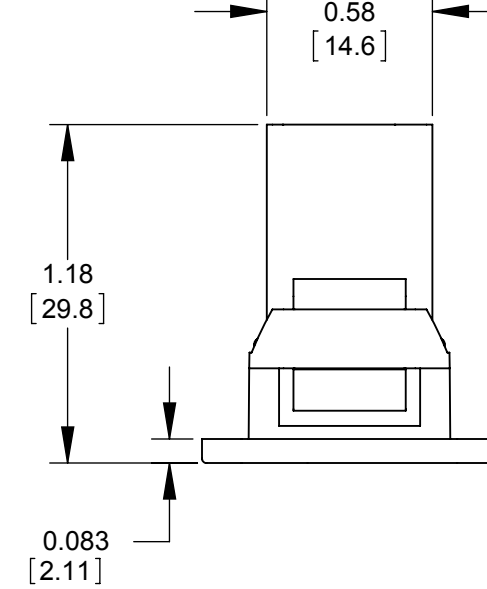
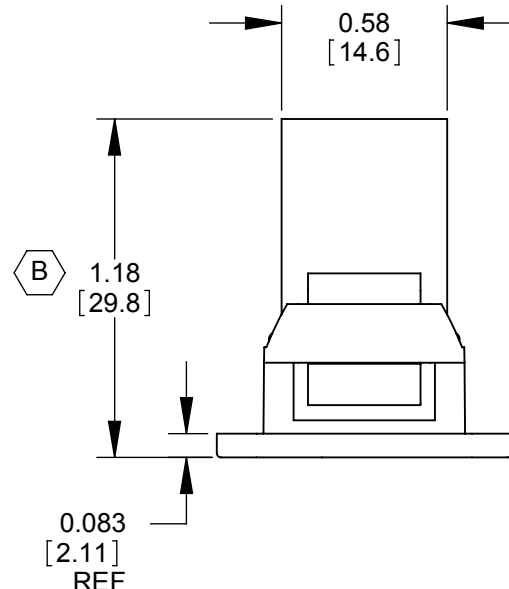
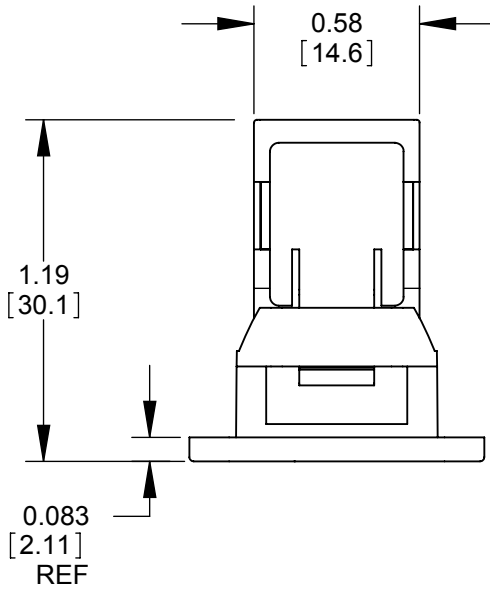
**EHRJ45P6S**  
SHIELDED



**EHRJ45P6A**  
UNSHIELDED



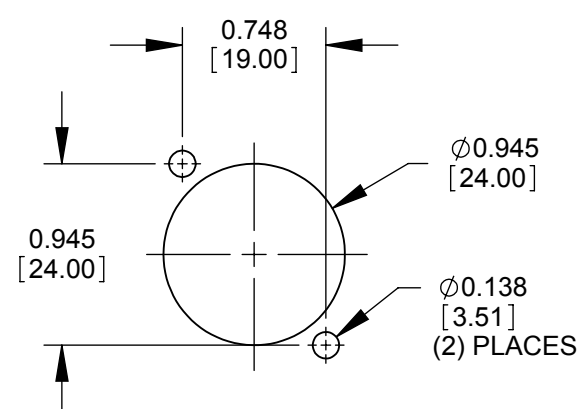
**EHRJ45P6AS**  
SHIELDED



**EHRJ45P5E - UNSHIELDED**  
**EHRJ45P5ES - SHIELDED (SHOWN)**

**EHRJ45P6 - UNSHIELDED (SHOWN)**  
**EHRJ45P6S - SHIELDED**

**EHRJ45P6A - UNSHIELDED (SHOWN)**  
**EHRJ45P6AS - SHIELDED**



**RECOMMENDED  
PANEL CUT-OUT**

**NOTES:**

- ADAPTER MEETS:  
CAT5e: TIA/EIA-568-B.2 STANDARD  
CAT6: TIA/EIA-568-B.2-1 STANDARD  
D CAT6A: TIA/ANSI-568-C.2 STANDARD
- MATERIALS:  
RJ45 MOUNTING PLATE - THERMOPLASTIC, BLACK  
RJ45 HOUSING - THERMOPLASTIC, BLACK  
RJ45 SHIELD - COPPER ALLOY, NICKEL PLATED
- FOR SCREWS TO BE SHIPPED WITH ASSEMBLY, ADD SUFFIX -PKG TO PART NUMBER.
- WHEN MOUNTING ASSEMBLY, USE A SCREW TORQUE OF 10 INCH-LBS MAXIMUM.
- THIS PRODUCT IS RoHS COMPLIANT.

| PART NUMBER | RJ45 ADAPTER     |
|-------------|------------------|
| EHRJ45P5E   | CAT5e UNSHIELDED |
| EHRJ45P5ES  | CAT5e SHIELDED   |
| EHRJ45P6    | CAT6 UNSHIELDED  |
| EHRJ45P6S   | CAT6 SHIELDED    |
| EHRJ45P6A   | CAT6A UNSHIELDED |
| EHRJ45P6AS  | CAT6A SHIELDED   |

**CUSTOMER DRAWING**

|                                      |       |                                  |     |  |            |       |          |                    |  |
|--------------------------------------|-------|----------------------------------|-----|--|------------|-------|----------|--------------------|--|
| UNLESS OTHERWISE SPECIFIED           |       |                                  |     | THIS DRAWING DESCRIBES A DESIGN CONSIDERED PROPRIETARY IN NATURE, DEVELOPED AND MANUFACTURED BY SWITCHCRAFT INC. AND IS RELEASED ON A CONFIDENTIAL BASIS FOR IDENTIFICATION PURPOSES ONLY. |            |       |          |                    |  |
| 1. ALL DIMENSIONS IN INCHES [mm]     |       | - TWO PLACE DECIMALS ±0.02 [0.5] |     | SIZE   | WIDTH      | MULT  | LBS/M    | TEMPER             |  |
| - THREE PLACE DECIMALS ±0.005 [0.13] |       | FINISH                           |     | FIRST USED ON  |            | SCALE |          | MATERIAL SPEC No.  |  |
| D                                    | 27721 | 6-21-16                          | TO  | TJK  | 7/7/08     |       | 1.5:1    | Switchcraft®       |  |
| C                                    | 27585 | 10/08/15                         | PC  | TJK  | DATE DRAWN | BY    | CHKD     |                    |  |
| B                                    | 27247 | 1/24/14                          | JGK | TJK  | 7/7/08     | JGK   | RS       | APVD               |  |
| A                                    | 26387 | 5/15/09                          | RS  | TJK  | EH SERIES  |       | PART No. |                    |  |
| REVISIONS                            |       |                                  |     | DO NOT SCALE DRAWING   |            |       |          | RJ45 ADAPTER, RoHS |  |
|                                      |       |                                  |     | SolidWorks CAD File  |            |       |          | SHEET 1 OF 1       |  |
|                                      |       |                                  |     |  |            |       |          | EHRJ45P SERIES     |  |
|                                      |       |                                  |     |  |            |       |          | REV D              |  |