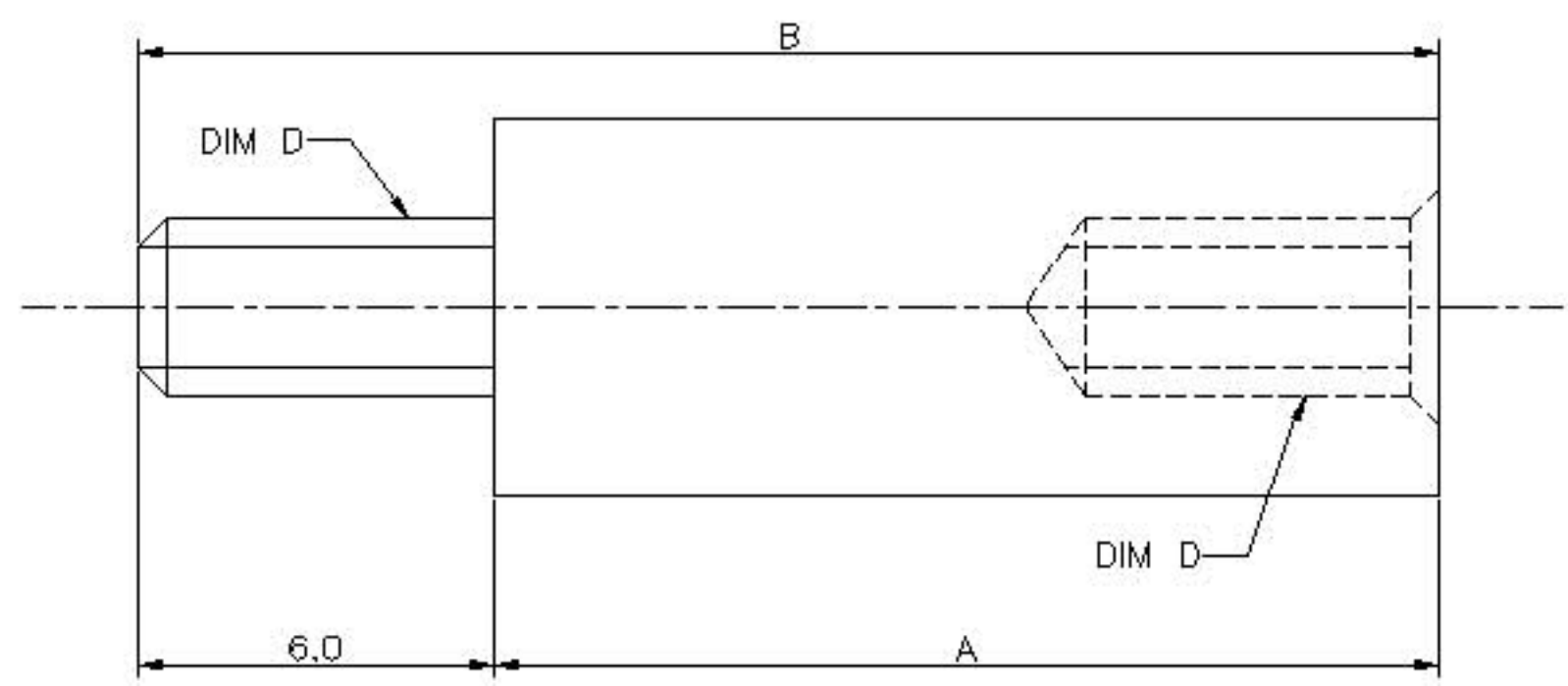
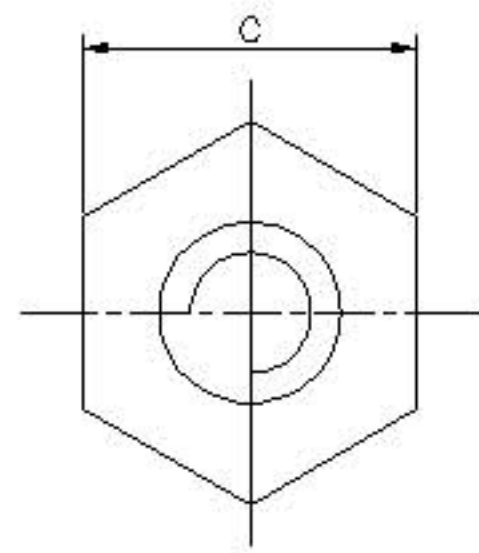


REV.	DESCRIPTION	DRAWN	CHECKED	APPROVED
A	NEW RELEASE	LJC 06/18/05'		



NOTES:
 1.Materials: Copper alloy.
 2.Plating: Nickel plating.
 3.Part number code:
 H - LXXXX - XXXX -5 -03 - 1N1W

Thread type: DIM D
 03: M3.0

DIM C:
 5: $\phi 5.5\text{mm}$

DIM B:
 1200: 12.0mm
 4600: 46.0mm

DIM A:
 0600: 6.0mm
 4000: 40.0mm

GENERAL TOLERANCE		ANGLE TOLERANCE	
X.	± 0.30	X.	$\pm 2^\circ$
.X	± 0.20	.X	$\pm 1^\circ$
.XX	± 0.15	.XX	$\pm 0.5^\circ$

DRAWING TYPE	CUSTOMER DRAWING		
SCALE	1:1	SHEET	1 OF 1
DRAWING NO.	H-LXXXX-XXXX-5-03-1N1W		

PROJECTION		TITLE	Screws	
UNITS	mm			
SHEET SIZE	A4	SERIES	Hardwares SERIES	

晨翔电子有限公司
CONNFLY CONNFLY ELECTRONIC CO. LTD