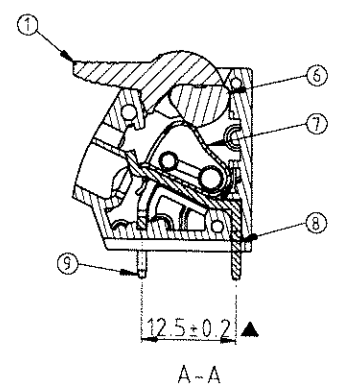
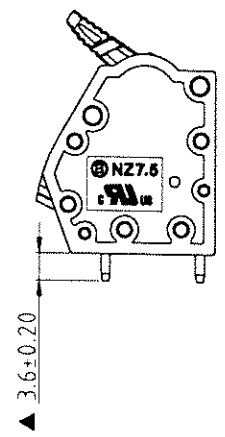
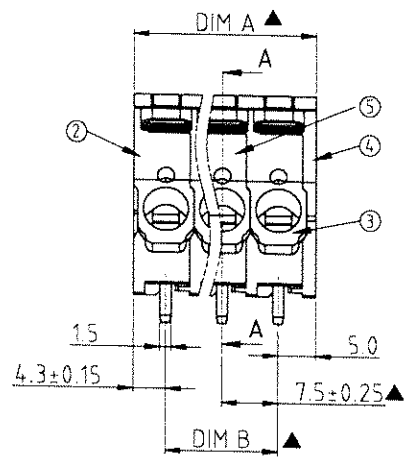
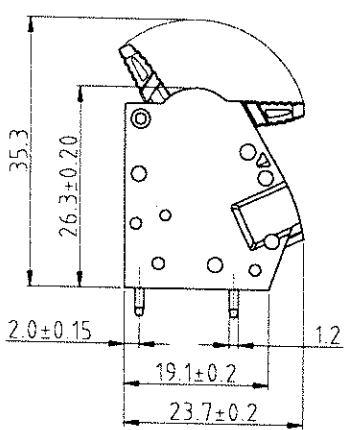
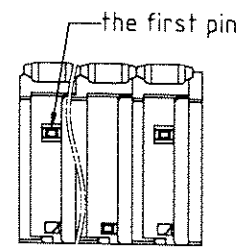
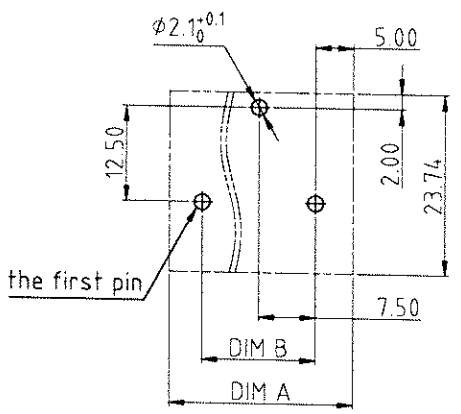


REV	SIGN	DATE	DESCRIPTION	APPROVER
B		2021.04.19	initial release	Devin
THIS IS CAD DRAWING, DO NOT REVISE MANUALLY!!!				



- Material:
- Item ① Lever: Thermoplastic (UL 94V-0), White RAL9003
 - Item ② Left side body: Thermoplastic (UL 94V-0)
 - Item ③ Middle body-1: Thermoplastic (UL 94V-0)
 - Item ④ Right side body: Thermoplastic (UL 94V-0)
 - Item ⑤ Middle body-2: Thermoplastic (UL 94V-0)
 - Item ⑥ Cam: Thermoplastic (UL 94V-0), White RAL9003
 - Item ⑦ Spring clamp: Stainless steel
 - Item ⑧ Back Contact: Copper, Tin plated over Nickel plated
 - Item ⑨ Front Contact: Copper, Tin plated over Nickel plated

- Electrical:
- Voltage rating: 600 V
 - Current rating: 30A
 - Wire range:
 - Solid wire(AWG): 10-24
 - Stranded wire(AWG): 10-24
 - Wire strip length: 11-12mm
 - Withstanding Voltage: 2.2KV
 - Operating temperature: -40°C to +115°C
 - Soldering temperature: 260°C±5°C/5 Sec
 - Safety Approval:
 - Critical dimension:



PCB LAYOUT
TOP VIEW

NZ xx 20 x C xxxx G

No. OF POLES	Body Color	RoHS compliant (lead-4%) In copper Alloy
01 1 CONTACTS	0 Black (RAL9005)	0000: "@" Logo (Standard)
02 2 CONTACTS	2 Red (RAL3001/D)	000A: "ANYTEK" Mark
...	3 Orange(RAL2011/P)	
12 12 CONTACTS	4 Yellow(RAL1018/A)	
	5 Green(RAL6018/T)	
	6 Blue (RAL5015/A)	
	8 Grey(RAL 7004/P)	
	9 White(RAL1102)	
	C Multiple colors	



N=NUMBER OF CONTACTS

DIM	TOL					
	1P	2P	3P--4P	5P--8P	9P--12P	
Dim A	N×7.5±1.8	±0.20	±0.40	±0.40	±0.50	±0.60
Dim B	(N-1)×7.5	/	±0.20	±0.40	±0.50	±0.60

Amphenol ANYTEK

CUSTOMER COPY

ALL RIGHTS RESERVED. REPRODUCTION OR ISSUE TO THIRD PARTIES IN ANY FORM WHATSOEVER IS NOT PERMITTED WITHOUT WRITTEN AUTHORITY FROM THE PROPRIETOR. PROPERTY OF ANYTEK TECHNOLOGY CO., LTD

TITLE		NZ7.5 series round hole		
PART NO.	NZxx20xCxxxxG	DWG NO.	8NZ0001-7.5	
APPROVED	CHECKED	DESIGNED	DRAWN	CUST NO.
	Devin 2021.04.19		Devin 2021.04.19	
SHEET: 01/01		UNIT: mm	SCALE: 1:1	Tolerance
		REV: B		X. ±0.50
				X.X ±0.2
				X.XX ±0.10
				X° ±1°

19/60.2021