

■ Features

- Molding Inductor.
- Low Profile,Low Temp.
- Large Current(Over 15A).
- Customize For Different Need.
- Operating temperature:-40°C ~ +125°C.

■ Applications

- General Electronic.
- Video Device,TV,TFT.
- Power Module for PC.
- NB/Lap Top Computer.
- Server,VGA Card/Module.

■ Product Identification

YSPIA □□□□□ - □□□ □
 (1) (2) (3) (4)

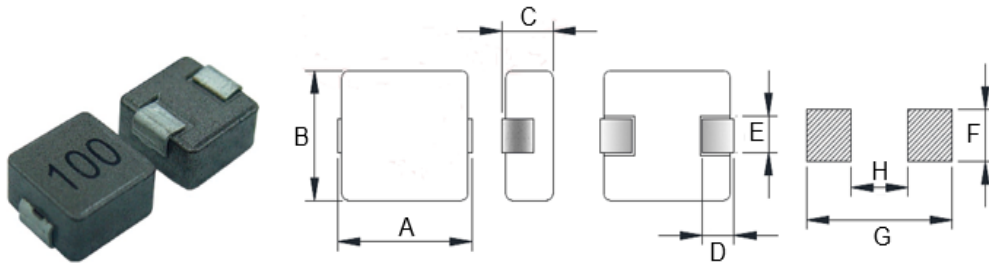
(1) : Type

(2) : Dimensions

(3) : Inductance value

(4) : Inductance Tolerance : N=±30%,M=±20% , K=±10%

■ Shapes and Dimensions (Unit: mm)



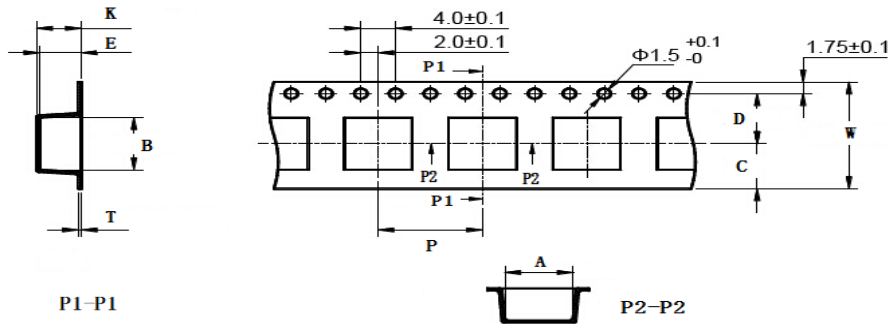
TYPE	A	B	C Max.	D	E	F Ref.	G Ref.	H Ref.
YSPIA0320	3.4±0.5	3.0±0.2	2.0	0.6±0.3	1.0±0.3	1.2	4.2	1.0

■ YSPIA0320 Series

Part Number	Inductance (uH) @100KHz	DC Resistance (mΩ)		Heat Rating Current (A)	Saturation Current (A)
		Typ.	Max.		
YSPIA0320-R10□	0.10	7	9	11.0	14.0
YSPIA0320-R33□	0.33	14	17	8.0	10.0
YSPIA0320-R47□	0.47	20	23	7.0	9.0
YSPIA0320-R68□	0.68	26	29	5.5	7.0
YSPIA0320-R88□	0.88	29	35	4.5	6.0
YSPIA0320-1R0□	1.00	32	38	4.0	5.0
YSPIA0320-1R2□	1.20	39	45	4.0	4.5
YSPIA0320-1R5□	1.50	48	58	3.8	4.0
YSPIA0320-2R2□	2.20	65	75	3.5	3.7
YSPIA0320-3R3□	3.30	125	145	3.0	3.5

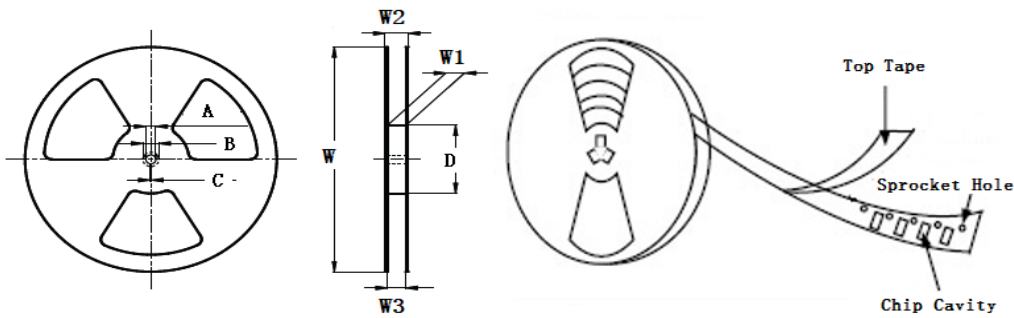
- ※ The saturation current value is the DC current value having inductance decrease down to 30%. (at 20°C)
- ※ The temperature rise current value is the DC current value having temperature increase up to 40°C. (at 20°C)
- ※ The rated current is the DC current value that satisfies both of current value saturation current value and temperature rise current value.

■ Taping Dimensions(Unit:mm)



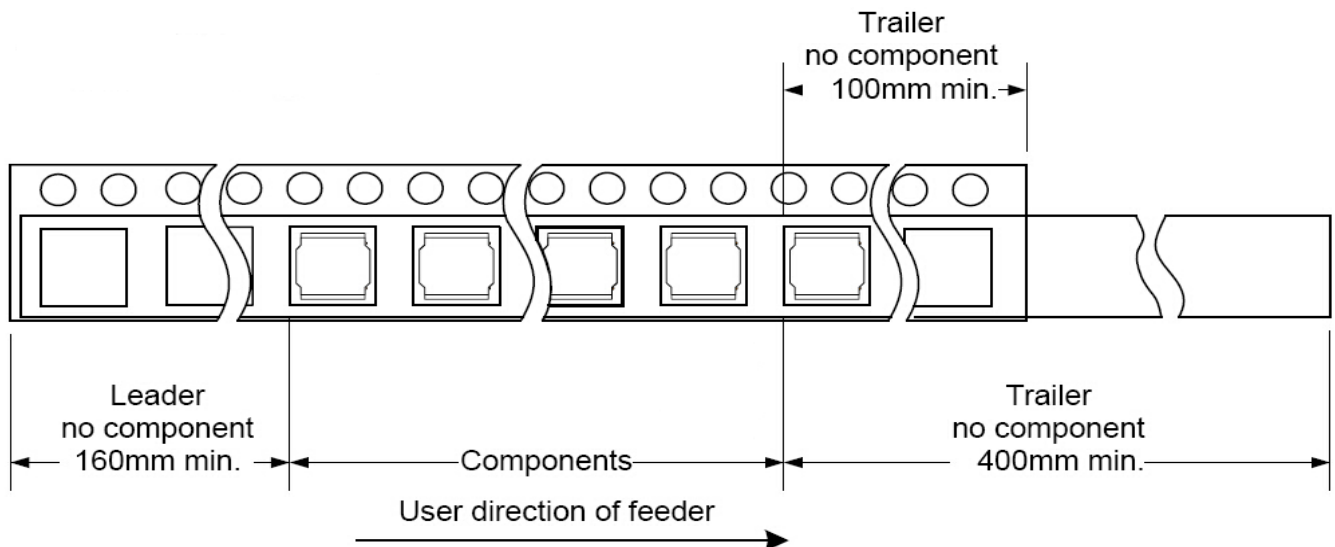
TYPE	W	A	B	C	D	E	P	K Ref	T	MPQ
YSPIA0320	12±0.3	3.3±0.1	3.7±0.1	4.75	5.5±0.1	2.1±0.1	8±0.1	2.2	0.30±0.05	1000

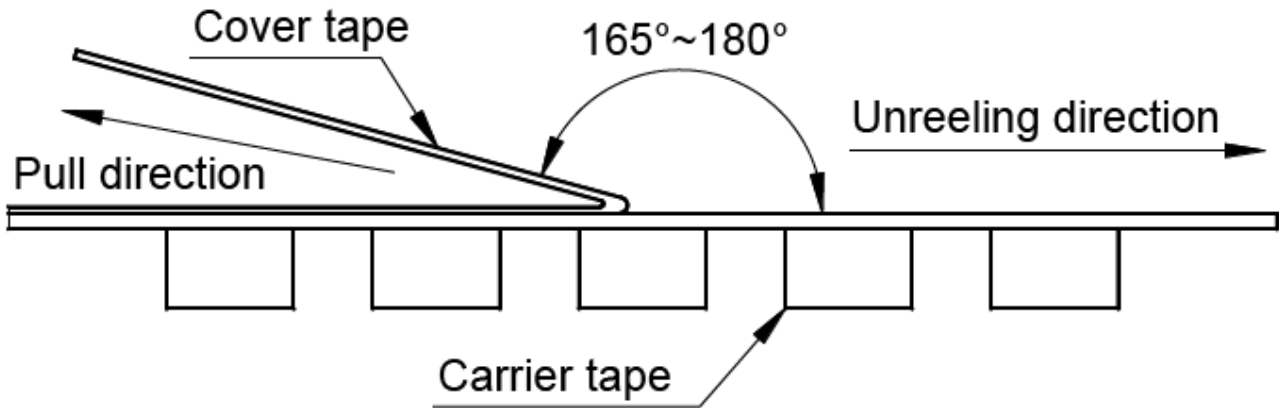
■ Reel Dimensions(Unit:mm)



TYPE	W	W1	W2	W3	A	B	C	D
YSPIA0320	178±2.0	12.4±1.50	18.4MAX	11.9 Min	13.0±0.50	21.0±0.80	2.0±0.50	60 Min

■ Direction of rolling



■ Cover tape peel off condition

Cover tape peel force shall be 0.1N to 1.3N.

Reference peel speed 300 ± 10 mm/min.