



M83723/50

Straight, 45° and 90° Qwik-Ty® Strain Reliefs

Non-Self-Locking

CONNECTOR DESIGNATOR:

K MIL-DTL-83723, Series II

Basic Part Number
 M83723/50R = Straight
 M83723/50B = 45°
 M83723/50A = 90°

Angular Function
 R = Straight
 B = 45°
 A = 90°

Shell Size

Finish
 A = Black Anodize
 N = Electroless Nickel

M83723/50

R

22

N

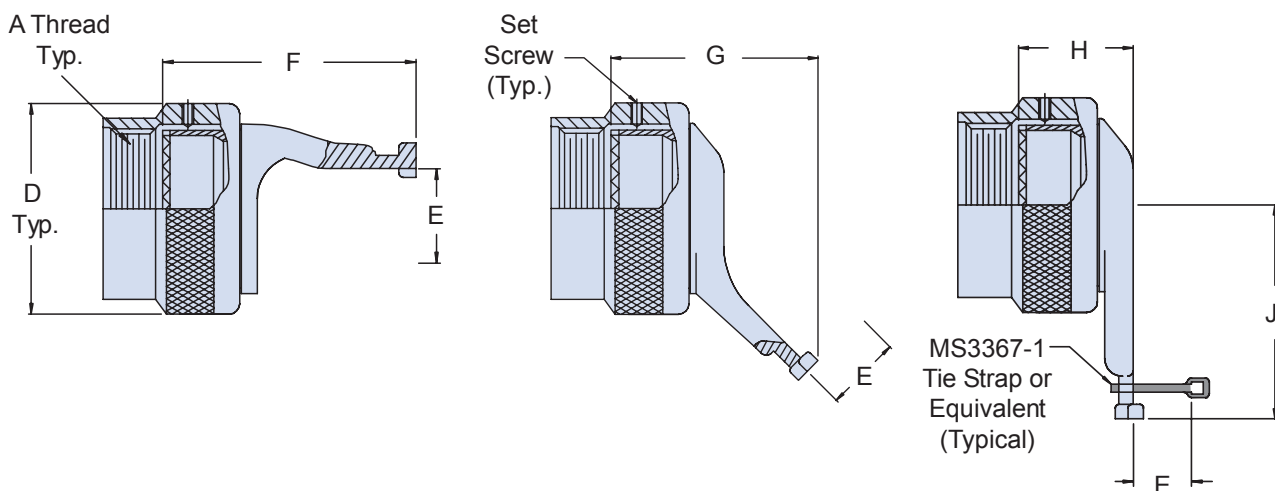


TABLE I: Shell Size, Thread, Cable Entry and Backshell Dimensions

Shell Size	A Thread Class 2B	D Dia Max	E Max Cable Entry	F Max	G Max	H Max	J Max
08	.438 - 28 UNEF	.620 (15.7)	.240 (6.1)	1.060 (26.9)	.740 (18.8)	.710 (18.0)	.880 (22.4)
10	.500 - 28 UNEF	.730 (18.5)	.295 (7.5)	1.060 (26.9)	.740 (18.8)	.710 (18.0)	.940 (23.9)
11	.562 - 24 UNEF	.730 (18.5)	.375 (9.5)	1.060 (26.9)	.740 (18.8)	.710 (18.0)	.940 (23.9)
12	.625 - 24 UNEF	.860 (21.8)	.400 (10.2)	1.120 (28.4)	.740 (18.8)	.710 (18.0)	1.000 (25.4)
13	.625 - 24 UNEF	.860 (21.8)	.400 (10.2)	1.120 (28.4)	.740 (18.8)	.710 (18.0)	1.000 (25.4)
14	.750 - 20 UNEF	.980 (24.9)	.482 (12.2)	1.300 (33.0)	2.010 (51.1)	.710 (18.0)	1.320 (33.5)
15	.750 - 20 UNEF	.980 (24.9)	.482 (12.2)	1.310 (33.3)	2.020 (51.3)	.710 (18.0)	1.320 (33.5)
16	.875 - 20 UNEF	1.110 (28.2)	.601 (15.3)	1.300 (33.0)	2.010 (51.1)	.710 (18.0)	1.370 (34.8)
17	.875 - 20 UNEF	1.110 (28.2)	.601 (15.3)	1.300 (33.0)	2.010 (51.1)	.710 (18.0)	1.370 (34.8)
18	1.000 - 20 UNEF	1.220 (31.0)	.722 (18.3)	1.360 (34.5)	2.170 (55.1)	.730 (18.5)	1.470 (37.3)
20	1.125 - 18 UNEF	1.350 (34.3)	.862 (21.9)	1.500 (38.1)	2.250 (57.2)	.740 (18.8)	1.510 (38.4)
22	1.250 - 18 UNEF	1.470 (37.3)	.970 (24.6)	1.620 (41.1)	2.250 (57.2)	.630 (16.0)	1.570 (39.9)
24	1.375 - 18 UNEF	1.590 (40.4)	1.082 (27.5)	1.680 (42.7)	2.330 (59.2)	.630 (16.0)	1.640 (41.7)
28	1.625 - 18 UNEF	1.970 (50.0)	1.241 (31.5)	1.710 (43.4)	2.330 (59.2)	.630 (16.0)	1.710 (43.4)

APPLICATION NOTES

1. Assembly identified with manufacturer's name and part number, space permitting.
2. For complete dimensions, see the applicable Military Specification.
3. Cable entry is defined as the accommodation range for the wire bundle or cable. Dimensions shown are not intended for inspection criteria.
4. Metric dimensions (mm) are in parentheses.

Dimensions in inches (millimeters) and are subject to change without notice.