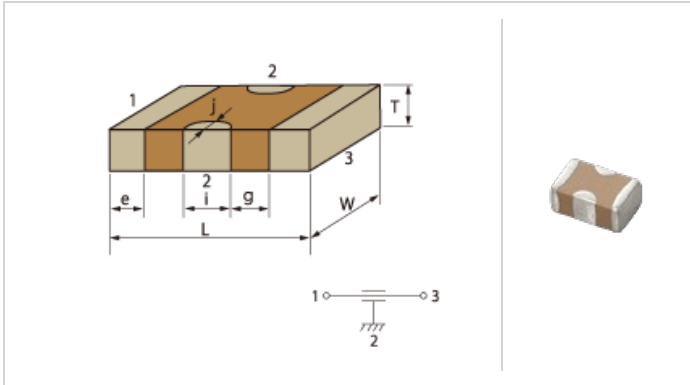




< List of part numbers with package codes >
NFM21HC221R1H3D

Shape



L size	2.0 ±0.2mm
W size	1.25 ±0.1mm
T size	0.85 ±0.1mm
External terminal width e	0.3±0.2mm
External terminal size i	0.6±0.2mm
External terminal size j	0.2+0.2/-0.1mm
Distance between external terminals g	0.2mm min.
Size code in inch(mm)	0805 (2012M)

References

Packaging	Specifications	Minimum quantity
D	φ 180mm Paper taping	4000

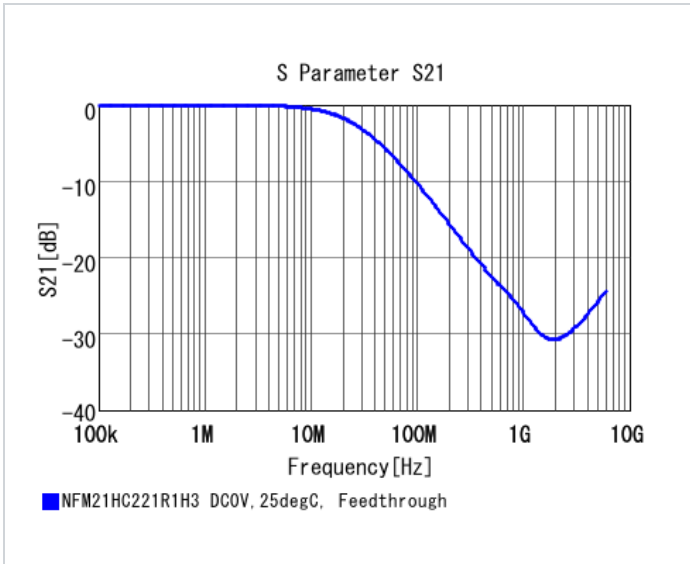
Mass (typ.)	
1 piece	12.0mg
φ 180mm Reel	163g

Specifications

Capacitance	220pF ±20%
Rated voltage	50Vdc
Operating temperature range	-55 to 125°C
Rated Current	700mA
DC Resistance(max.)	300mΩ

Attention

- 1.This datasheet is downloaded from the website of Murata Manufacturing Co., Ltd. Therefore, it's specifications are subject to change or our products in it may be discontinued without advance notice. Please check with our sales representatives or product engineers before ordering.
- 2.This datasheet has only typical specifications because there is no space for detailed specifications. Therefore, please review our product specifications or consult the approval sheet for product specifications before ordering.



⚠ Attention

- 1.This datasheet is downloaded from the website of Murata Manufacturing Co., Ltd. Therefore, it's specifications are subject to change or our products in it may be discontinued without advance notice. Please check with our sales representatives or product engineers before ordering.
 - 2.This datasheet has only typical specifications because there is no space for detailed specifications.
- Therefore, please review our product specifications or consult the approval sheet for product specifications before ordering.