

16

1613 21

Power supply connectors

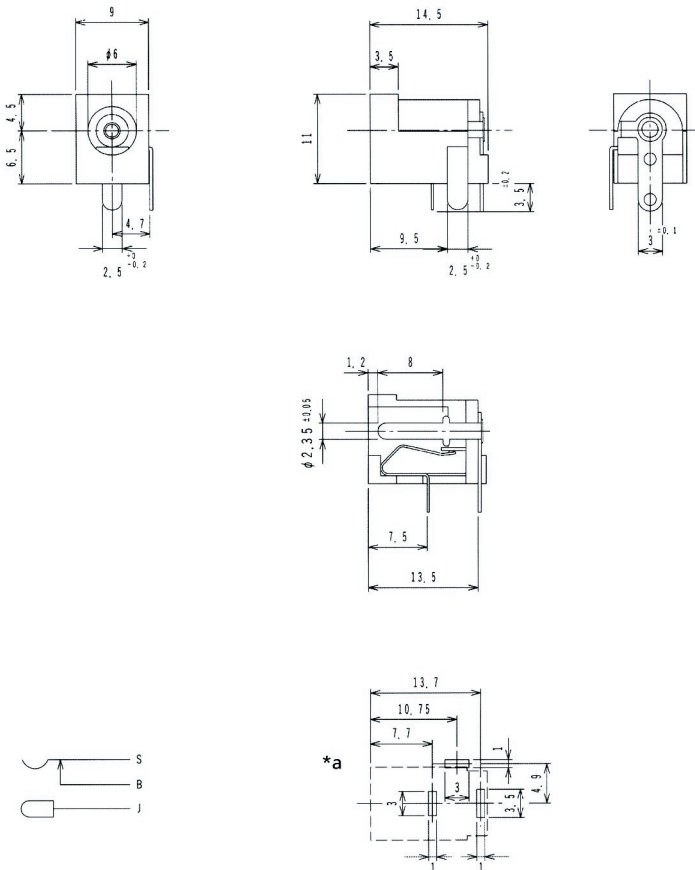


Power supply chassis socket, angular version, with break contact, for printed circuit boards

State: Active

16

1613 21



*a printed circuit board layout, solder side view

Environmental conditions

Temperature range -20 °C/+70 °C

Materials

Insulating body PBT GF, V-0 according to UL94
Contact pin CuZn, nickel-plated
Contact Cu alloy, tin-plated

Mechanical data






Diameter opening 6,0 mm
Diameter center pin 2,35 mm
Mating cycles $\geq 5000^1$
Insertion force 5–20 N (initial value)
Withdrawal force 4–15 N (initial value)

¹ measured with a gauge plug

Electrical data (at T_{amb} 20 °C)

Contact resistance ≤ 30 m Ω
Rated current 2 A
Rated voltage 24 V DC
Rated impulse voltage 500 V/60 s
Insulation resistance ≥ 100 M Ω

Associated products

Counterparts
 1633 04  1634 02  NES/J 25
 NES/J 250  XNES/J 250

16

1613 21

Designation	Pole Number	PU (Pieces)	MDQ (Pieces)
1613 21	2	250	500

Packaging:

in bulk, in a cardboard box or a plastic bag