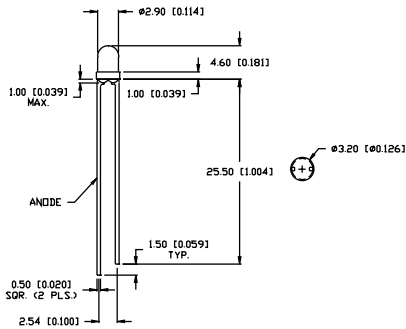


Discrete LEDs ~ Dome Lens



SSL-LX3044xD Series

T-3mm Short Lens, Diffused



FEATURES / OPTIONS

- ▶ State-of-the-Art, High Brightness Chip Technology
- ▶ Choice of Colors and Lens Finishes
- ▶ Lead Frame / Lens Casting Reliability
- ▶ Easy-to-Solder Leads, Tin Finish
- ▶ Available Bulk or on Tape and Reel
- ▶ Lead Trimming and Forming Available
- ▶ Custom Shapes, Easily Tooled, Low Minimum
- ▶ Blinking LED
- ▶ With Internal Resistor for 5V and 12V Operation

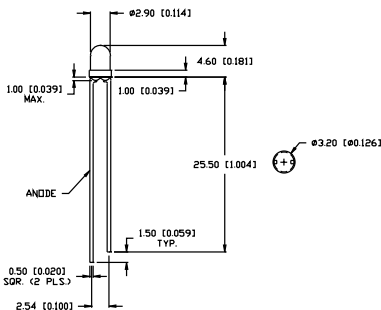
APPLICATIONS / USES

- ▶ Board or Panel Indication or Illumination
- ▶ Backlighting of Overlays and Graphics
- ▶ Annunciator and Control Panels
- ▶ Keyboards and Switches
- ▶ Telecom Switches and Central Station Equipment
- ▶ Signs, Warning Lights, Displays

Lumex Part Number	Die Material	Emitted Color	Peak (nm)	Lens	Operating Current (mA)	Operating TYP. Vf (V)	Brightness TYP. Mcd	@ mA	View Angle° 2θ
HIGH BRIGHTNESS									
SSL-LX3044SID	AllnGaP	Super High Intensity Red	636	Red Diffused	5-25	2	100	20	60
SSL-LX3044SOD	AllnGaP	Super Orange	610	Orange Diffused	5-25	2	100	20	60
SSL-LX3044SUGD	AllnGaP	Super Ultra Green	574	Green Diffused	5-25	2.2	60	20	60
SSL-LX3044SYD	AllnGaP	Super Yellow	590	Yellow Diffused	5-25	2	100	20	60
SSL-LX3044USB	InGaN/SiC	Ultra Super Blue	470	Blue Diffused	5-25	3.5	200	20	60
STANDARD BRIGHTNESS									
SSL-LX3044AD	GaAsP	Amber	605	Amber Diffused	5-25	2.1	40	20	60
SSL-LX3044GD	GaP	Green	565	Green Diffused	5-25	2.2	40	20	60
SSL-LX3044HD	GaP	High Efficiency Red	700	Red Diffused	5-25	2	6	20	60
SSL-LX3044ID	GaAsP	High Intensity Red	635	Red Diffused	5-25	2	50	20	60
SSL-LX3044PGD	GaP	Pure Green	555	Green Diffused	5-25	2.2	10	20	60
SSL-LX3044SGD	GaP	Super Green	565	Green Diffused	5-25	2.2	50	20	60
SSL-LX3044SRD/D	GaAlAs	Super Red	660	Red Diffused	5-25	1.7	150	20	60
SSL-LX3044YD	GaAsP	Yellow	585	Yellow Diffused	5-25	2.1	40	20	60

SSL-LX3044xC Series

T-3mm Short Lens, Clear



FEATURES / OPTIONS

- ▶ State-of-the-Art, High Brightness Chip Technology
- ▶ Choice of Colors and Lens Finishes
- ▶ Lead Frame / Lens Casting Reliability
- ▶ Easy-to-Solder Leads, Tin Finish
- ▶ Available Bulk or on Tape and Reel
- ▶ Lead Trimming and Forming Available
- ▶ Custom Shapes, Easily Tooled, Low Minimum
- ▶ Blinking LED
- ▶ With Internal Resistor for 5V and 12V Operation

APPLICATIONS / USES

- ▶ Board or Panel Indication or Illumination
- ▶ Backlighting of Overlays and Graphics
- ▶ Annunciator and Control Panels
- ▶ Keyboards and Switches
- ▶ Telecom Switches and Central Station Equipment
- ▶ Signs, Warning Lights, Displays

Lumex Part Number	Die Material	Emitted Color	Peak (nm)	Lens	Operating Current (mA)	Operating TYP. Vf (V)	Brightness TYP. Mcd	@ mA	View Angle° 2θ
HIGH BRIGHTNESS									
SSL-LX3044SIC	AllnGaP	Super High Intensity Red	636	Water Clear	5-25	2	1800	20	30
SSL-LX3044SOC	AllnGaP	Super Orange	610	Water Clear	5-25	2	1000	20	30
SSL-LX3044SUGC	AllnGaP	Super Ultra Green	574	Water Clear	5-25	2.2	1000	20	30
SSL-LX3044SYC	AllnGaP	Super Yellow	590	Water Clear	5-25	2	1000	20	30
SSL-LX3044USBC	InGaN/SiC	Ultra Super Blue	470	Water Clear	5-25	3.5	1000	20	30
SSL-LX3044UWC	GaN	Ultra White	-	Water Clear	5-25	3.5	800	20	30
STANDARD BRIGHTNESS									
SSL-LX3044AC	GaAsP	Amber	605	Water Clear	5-25	2.1	100	20	30
SSL-LX3044GC	GaP	Green	565	Water Clear	5-25	2.2	100	20	30
SSL-LX3044HC	GaP	High Efficiency Red	700	Water Clear	5-25	2	25	20	30
SSL-LX3044IC	GaAsP	High Intensity Red	635	Water Clear	5-25	2	130	20	30
SSL-LX3044PGC	GaP	Pure Green	555	Water Clear	5-25	2.2	50	20	30
SSL-LX3044SGC	GaP	Super Green	565	Water Clear	5-25	2.2	200	20	30
SSL-LX3044SRC/D	GaAlAs	Super Red	660	Water Clear	5-25	1.8	600	20	30
SSL-LX3044YC	GaAsP	Yellow	585	Water Clear	5-25	2.1	40	20	30



USA/Canada 1-800-278-5666
Asia +886-3-5821124



www.lumex.com



USA/Canada 1-847-359-8904
Asia +886-3-5821154

Mouser Electronics

Authorized Distributor

Click to View Pricing, Inventory, Delivery & Lifecycle Information:

[Lumex:](#)

[SSL-LX3044HD](#) [SSL-LX3044PGD](#) [SSL-LX3044YD](#) [SSL-LX3044AD](#) [SSL-LX3044YC](#) [SSL-LX3044IC](#) [SSL-LX3044USBD](#) [SSL-LX3044SGD](#) [SSL-LX3044SOC](#) [SSL-LX3044SYD](#) [SSL-LX3044SOD](#) [SSL-LX3044SUGC](#)