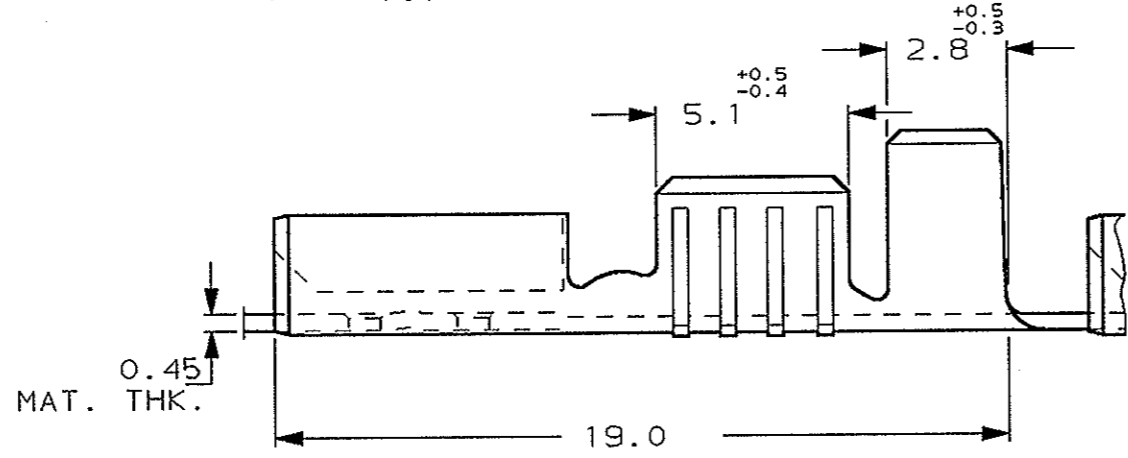
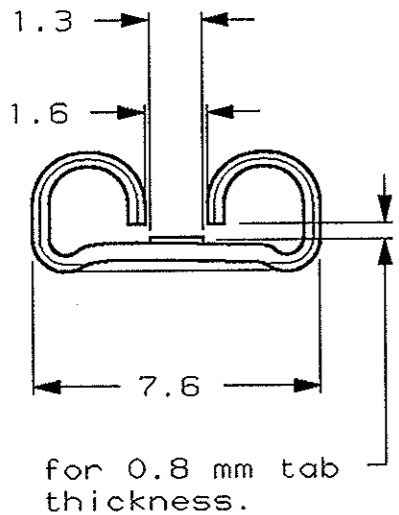
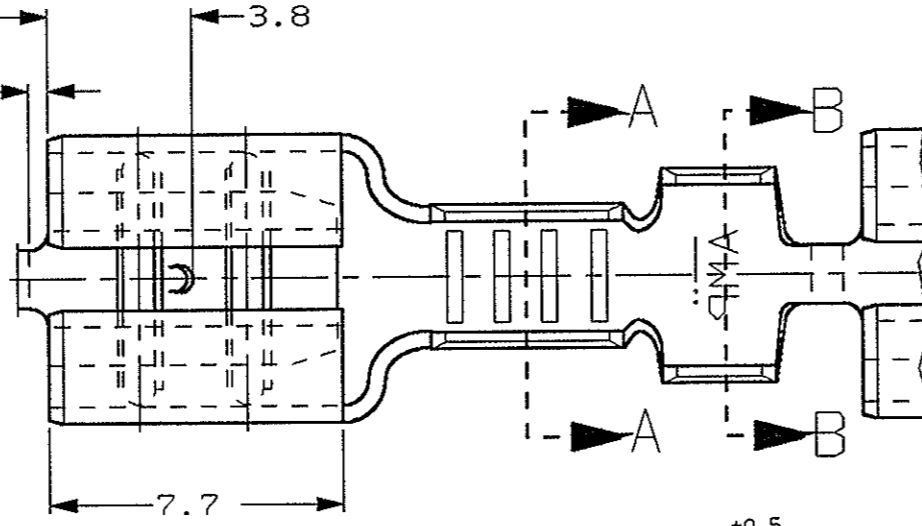


SCALA NON IMPEGNATIVA
(DO NOT SCALE)
DIMENSIONI IN mm
(DIMENSIONS IN)

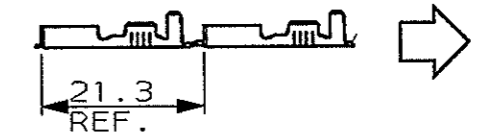
METRIC

THIRD ANGLE
PROJECTION

0.5 MAX.
TESTIMONE DI TAGLIO
(CUT-OFF DIM.)



1) STATO DI FORNITURA - SCALA 1:1
(SUPPLY CONDITION - SCALE 1:1)



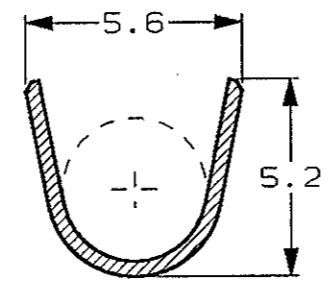
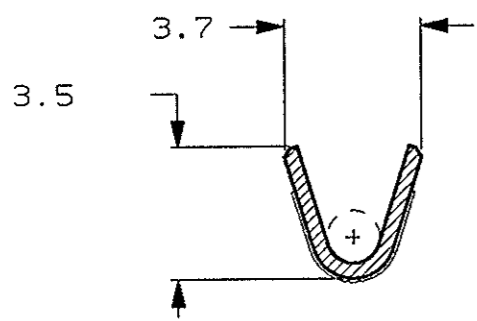
SENSO DI USCITA
DEL TERMINALE
DALLA BOBINA
(DIRECTION OFF
TOP OF REEL)

2) SPECIFICA DI PRODOTTO 108-20019
(PRODUCT SPEC. 108-20019)

3) PER LE VERSIONI IN PEZZI SCIOLTI
VEDERE DISEGNO 160563 & 160742
(FOR LOOSE PIECE VERSION SEE DRAWING 160563 & 160742).

SEZIONE A-A
(SECTION A-A)

SEZIONE B-B
(SECTION B-B)



STAGNATO (TIN PLATED)	BRONZO FOSF. (PHOS. BRONZE)	6-160465-1	AH
STAGNATO (TIN PLATED)	OTTONE (BRASS)	6-160465-0	AH
NUDO (UNPLATED)	OTTONE (BRASS)	5-160465-1	AH
FINITURA / COLORE (FINISH / COLOUR)	MATERIALE (MATERIAL)	NUMERO (AMP P/N)	REV

CUSTOMER DWG. FOR REFERENCE ONLY **DISEGNO PER CLIENTE SOLO PER RIFERIMENTO**

THIS DRAWING IS UNPUBLISHED RELEASE FOR PUBLICATION 19
© COPYRIGHT 19 BY AMP INCORPORATED, HARRISBURG, PA. ALL INTERNATIONAL RIGHT RESERVED. AMP PRODUCTS MAY BE COVERED BY U.S. AND FOREIGN PATENT AND/OR PATENT PENDING

TOLLERANZE: SE NON DIVERSAMENTE SPECIFICATO (TOLERANCES, UNLESS OTHERWISE SPECIFIED)	DIAH. ISOLANTE (INS. DIA. RANGE)	RANGO FILO (WIRE RANGE)	SCALA (SCALE)
± 0.4	3.0-4.3	0.75-1.50	5:1

ANGOLI (ANGLES) ± 2°

AJ3	CORRECT MATERIAL THICKNESS	H.Y.	03 FEB 2006
AJ2	REVISED ET00-0033-05	H.Y.	03 FEB 2005
AJ1	REVISED ET00-0086-01	H.Y.	17 APR 2001
AJ	OBSOLETE PARTS & REDRAWN ET00-0054-00	H.Y.	08 MAR 2000
REV.	REVISIONI (REVISION RECORD)	DIS. (DR)	DATA (DATE)

DIS. H. YAALI 03 AUG 2000
CONT. C. TARTARI 03 AUG 2000

AMP AMP ITALIA S.p.A.
Corso F.LLI Cervi, 15
COLLEGNO (TORINO)

DESCRIZIONE (DESCRIPTION) **FASTON® Connector, .250" sr. REC. CONTACT.**

LOC. (LOC.)	SIZE (SIZE)	NUMERO (DWG NO)	REV.	FOGLIO (SHEET)
IA3	C-160465	AJ3	1	1 OF 1

DISTRIBUZIONE (PRINT DIST.)

Mouser Electronics

Authorized Distributor

Click to View Pricing, Inventory, Delivery & Lifecycle Information:

[TE Connectivity:](#)

[6-160465-0](#)