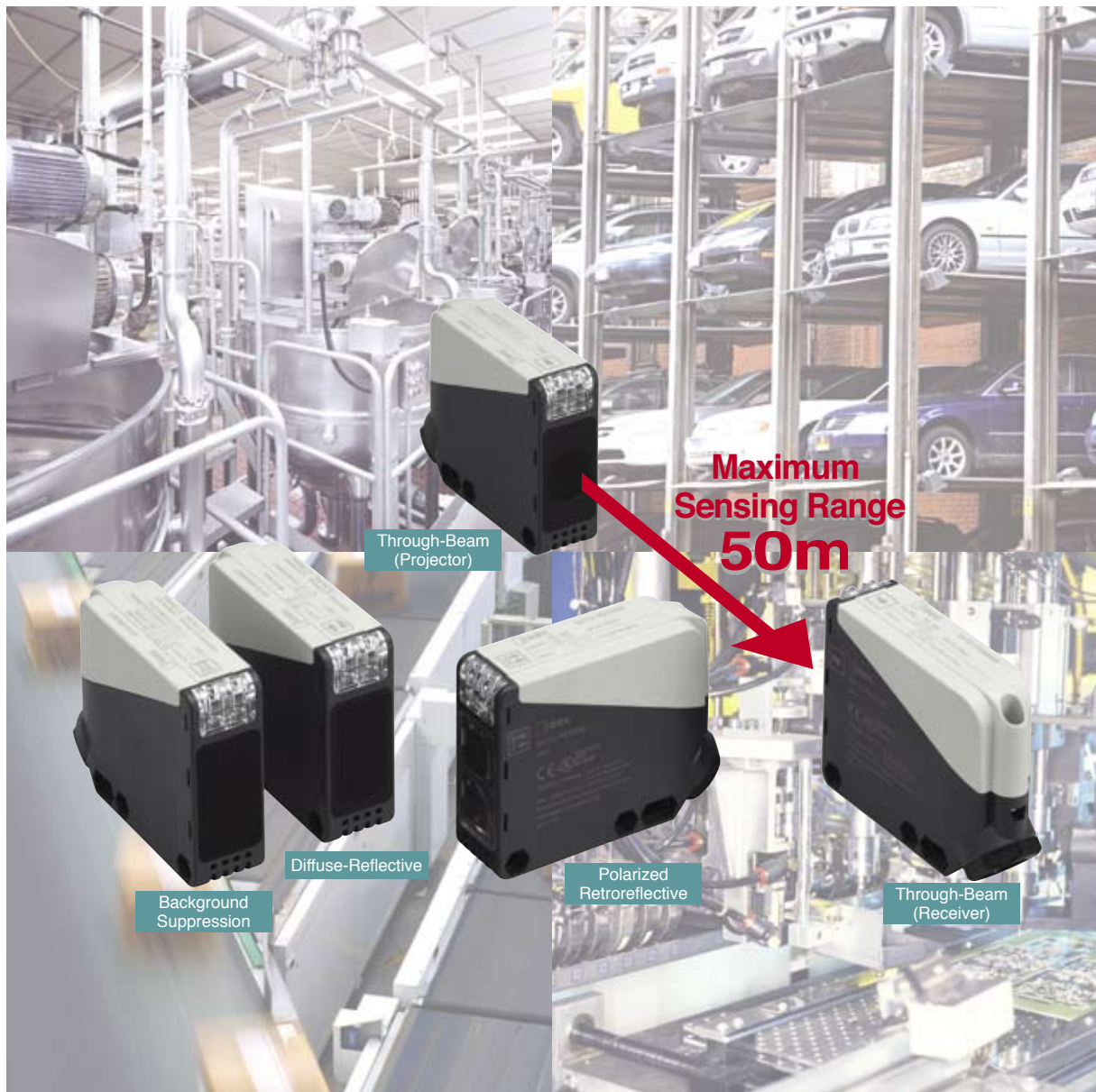


Think Automation and beyond...



SA1U

Photoelectric Switches



IDEC CORPORATION

Long sensing range of 50m maximum (through-beam) Universal voltage and DC power types available for

Through Beam

50m
The longest sensing range in the industry

Ideal for use in large facilities such as automatic parking lots.

Maximum sensing range: **50m**

50m maximum

Object

Background Suppression

Suitable for detecting the object. The background is not detected.

Maximum sensing range: **2m**

2m maximum

Object

Operation status can be easily recognized by LEDs

Recognizable from different directions. The front side is visible from a distance. Sensitivity of through-beam types can easily be adjusted.

- Stable LED
- *Power LED for through-beam type
- Status LED

IP67 Waterproof Protection

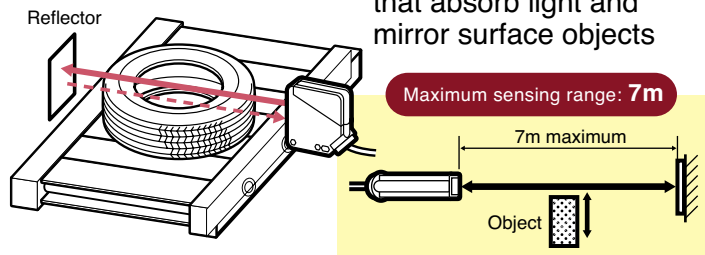
Note: IP67 protection degree is achieved when an applicable cable is used.

eam type) or worldwide usage

Polarized Retroreflective



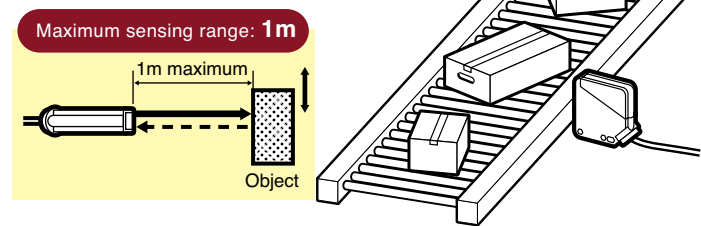
Easily detects objects that absorb light and mirror surface objects



Diffuse Reflective



Detects objects that reflect light, even transparent objects.



SA1U Terminal Block Type

Photoelectric Switches

Universal Voltage Power Supply

Universal voltage types operate on 24 to 240V AC and 12 to 240V DC. DC power types operate on 12 to 24V DC.

Washdown IP67 Environment

Ideal for use in a wet environment such as bottling and food processing lines.

Four Sensing Methods

Through-beam

Long distance detection. Offers sensing range of up to 50m.

Background suppression

Sensing range up to 2m. Not affected by background.

Polarized-retroreflective

Sensing range up to 7m. Easily detects mirrored surfaces.

Diffuse-reflective

Sensing range up to 1m. Detects objects that reflect light, even transparent objects.

Close Mounting (except through-beam)

Interference prevention enables close mounting of two SA1U photoelectric switches in limited spaces.

Time Delay

Four operation modes to choose from: one shot, ON delay, OFF delay, and normal modes. Time ranges can be set from 0.1 to 5 seconds.

Various Mounting Hole Layouts

Mounting hole centers are selectable from 40, 50 to 55 mm.

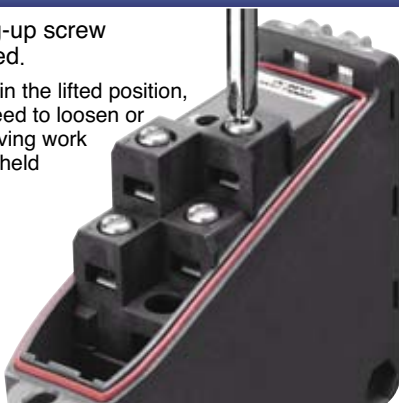
IDEC's original spring-up screw terminal block saves wiring time



Spring-Up Screw Terminal Block

IDEC's unique spring-up screw terminal block* is used.

*The screw is normally in the lifted position, ready for wiring. No need to loosen or remove screws, improving work efficiency. Screws are held captive.



Easy Wiring

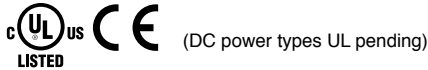
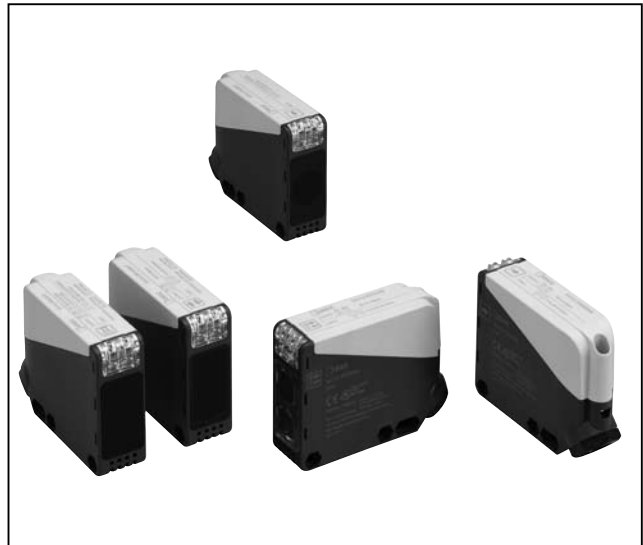
Spring-up screw terminal block enables easy wiring. Save up to 65% wiring time compared to competitor products (IDEC research).



SA1U Photoelectric Switches

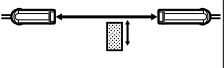
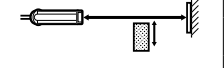
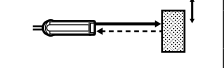
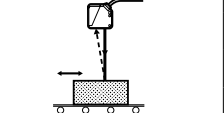
Wide variations such as universal voltage and DC power types, available with time delay. Maximum sensing range of 50m (through-beam).

- Universal voltage types operate on 24 to 240V AC and 12 to 240V DC. DC power types operate on 12 to 24V DC.
- Washable IP67
- Four sensing methods: through-beam, polarized retro-reflective, diffuse-reflective, and background suppression.
- Adjustable time delay: 0.1 to 5 seconds
- Mounting hole centers: 40, 50 to 55 mm
- Operation and stable LED indicators.
- SPDT contact for relay output type.
- Transistor output type has NPN and PNP open collector dual outputs.
- Interference prevention allows two units to be mounted in close proximity (except through-beam type).
- Spring-up terminal block structure enables easy wiring. Wiring can be extended to up to 100m using $\phi 8$ to $\phi 10$ mm round cables.



Types

Package Quantity: 1

| Sensing Method | Detectable Object | Sensing Range | Power Voltage | Control Output | Attachments | Time Delay Functions | Type No. (Ordering Type No.) |
|--|-----------------------|---------------|-------------------------|--|--|----------------------|------------------------------|
|  Through-Beam | Opaque | 50m max. | 24 to 240V AC (50/60Hz) | Relay contact SPDT 250V AC/3A, 30V DC/3A (resistive load) | • Sensitivity control screwdriver • Mounting bracket • Gland, gland washer • Gland gaskets* | Without | SA1U-T50M |
| | | | 12 to 240V DC | NPN/PNP open collector | | With | SA1U-T50MT |
| | | | 12 to 24V DC | NPN/PNP open collector | | Without | SA1U-T50MW |
| | | | 12 to 24V DC | NPN/PNP open collector | | With | SA1U-T50MWT |
|  Polarized Retroreflective | Opaque Mirror surface | 7m max. | 24 to 240V AC (50/60Hz) | Relay contact SPDT 250V AC/3A, 30V DC/3A (resistive load) | • Sensitivity control screwdriver • Reflector (IAC-R5) • Mounting bracket • Gland, gland washer • Gland gaskets* | Without | SA1U-P07M |
| | | | 12 to 240V DC | NPN/PNP open collector | | With | SA1U-P07MT |
| | | | 12 to 24V DC | NPN/PNP open collector | | Without | SA1U-P07MW |
| | | | 12 to 24V DC | NPN/PNP open collector | | With | SA1U-P07MWT |
|  Diffuse-Reflective | Opaque Transparent | 1m max. | 24 to 240V AC (50/60Hz) | Relay contact SPDT 250V AC/3A, 30V DC/3A (resistive load) | • Sensitivity control screwdriver • Mounting bracket • Gland, gland washer • Gland gaskets* | Without | SA1U-D01M |
| | | | 12 to 240V DC | NPN/PNP open collector | | With | SA1U-D01MT |
| | | | 12 to 24V DC | NPN/PNP open collector | | Without | SA1U-D01MW |
| | | | 12 to 24V DC | NPN/PNP open collector | | With | SA1U-D01MWT |
|  Background Suppression | Opaque | 2m max. | 24 to 240V AC (50/60Hz) | Relay contact SPDT 250V AC/3A, 30V DC/3A (resistive load) | • Sensitivity control screwdriver • Mounting bracket • Gland, gland washer • Gland gaskets* | Without | SA1U-B02M |
| | | | 12 to 240V DC | NPN/PNP open collector | | With | SA1U-B02MT |
| | | | 12 to 24V DC | NPN/PNP open collector | | Without | SA1U-B02MW |
| | | | 12 to 24V DC | NPN/PNP open collector | | With | SA1U-B02MWT |

*Two different-size gland gaskets are supplied. Select according to the cable diameter.
 Small hole gasket: cable diameter $\phi 8$ to $\phi 9$ mm
 Large hole gasket: cable diameter $\phi 9$ to $\phi 10$ mm

Accessories

| Item | Type No. (Ordering Type No.) | Package Quantity | |
|----------------------------|------------------------------|------------------|---|
| Reflector | Standard | IAC-R5 | 1 |
| | Small | IAC-R6 | 1 |
| | Large | IAC-R8 | 1 |
| | Narrow (rear/side mounting) | IAC-R7M | 1 |
| | Narrow (rear mounting) | IAC-R7B | 1 |
| | Narrow (side mounting) | IAC-R7S | 1 |
| | Tape (40 x 35 mm) | IAC-RS1 | 1 |
| | Tape (80 x 70 mm) | IAC-RS2 | 1 |
| Reflector Mounting Bracket | For IAC-R5 | IAC-L2 | 1 |
| | For IAC-R6 | IAC-L3 | 1 |
| | For IAC-R8 | IAC-L5 | 1 |

- The IAC-L2 is not supplied with reflector mounting screws (M4) and nuts.
- The IAC-L3 is supplied with two mounting screws (M3 x 8 mm sems).

Specifications

•Universal Voltage Type

| Sensing Method | Through-Beam | Polarized Retroreflective | Diffuse-Reflective | Background Suppression |
|-------------------------|--|---------------------------|-------------------------|-------------------------|
| Type No. | SA1U-T50M SA1U-T50MT | SA1U-P07M SA1U-P07MT | SA1U-D01M SA1U-D01MT | SA1U-B02M SA1U-B02MT |
| Power Voltage | 24 to 240V AC (21.6 to 264V AC) 50/60Hz, 12 to 240V DC (10.8 to 264V DC) compatible | | | |
| Power Consumption | Projector: 3 VA maximum Receiver: 3 VA maximum | 3 VA maximum | | |
| Control Output | Relay contact SPDT, switching capacity: 250V AC/3A (resistive load), 30V DC/3A (resistive load) Electrical life (minimum operations): 100,000 (NO contact), 50,000 (NC contact) Mechanical life (minimum operations): 50,000,000 | | | |
| Minimum Applicable Load | 5V DC, 10 mA minimum (reference value) | | | |
| Response Time | 20 ms maximum | | | |
| Insulation Resistance | Between power and output terminals: 20 MΩ minimum (500V DC megger) | | | |
| Dielectric Strength | Between power and output terminals: 1500V AC, 1 minute, Between output terminals: 750V AC, 1 minute | | | |
| Weight (approx.) | Projector: 115g, Receiver: 130g | | 130g | |

•DC Power Type

| Sensing Method | Through-Beam | Polarized Retroreflective | Diffuse-Reflective | Background Suppression |
|-----------------------|---|--|---------------------------|---------------------------|
| Type No. | SA1U-T50MW SA1U-T50MWT | SA1U-P07MW SA1U-P07MWT | SA1U-D01MW SA1U-D01MWT | SA1U-B02MW SA1U-B02MWT |
| Power Voltage | 12 to 24V DC (10 to 30V DC) ripple rate 10% p-p maximum | | | |
| Current Draw | Projector: 20 mA maximum Receiver: 25 mA maximum | 30 mA maximum | | |
| Control Output | Type | NPN, PNP open collector (dual output) | | |
| | Load Current | NPN: 100 mA maximum, PNP: 100 mA maximum | | |
| | Applied Voltage | 30V DC maximum | | |
| | Voltage Drop | NPN: 2.4V maximum, PNP: 2.4V maximum | | |
| Response Time | 1 ms maximum | | | |
| Insulation Resistance | Between live and dead parts: 20 MΩ minimum (500V DC megger) | | | |
| Dielectric Strength | Between live and dead parts: 1000V AC, 1 minute | | | |
| Weight (approx.) | Projector: 105g, Receiver: 110g | | 110g | |

•Common Specifications

| Sensing Method | Through-Beam | Polarized Retroreflective | Diffuse-Reflective | Background Suppression |
|---------------------------|---|--|---|--|
| Sensing Distance | 50m maximum | 0.2 to 7m (when using supplied reflector IAC-R5) | 1m maximum (200 × 200 mm white mat paper) | 0.2 to 2m (200 × 200 mm white mat paper) |
| Preset Distance | | — | | 0.4 to 2m (200 × 200 mm white mat paper) |
| Detectable Object | Opaque | Opaque/Mirror surface | Opaque/Transparent | Opaque |
| Hysteresis | — | — | 20% of sensing distance max. | 15% of sensing distance max. |
| Operation Mode | Light ON or Dark ON (mode selector) | | | |
| LED Indicator | [Projector] Power LED: Green [Receiver] Operation LED: Yellow Stable LED: Green | Operation LED: Yellow Stable LED: Green | | Operation LED: Yellow |
| Light Emitting Element | Infrared LED (870 nm) | Red LED (660 nm) | Infrared LED (870 nm) | |
| Sensitivity Adjustment | 1-turn control knob | | | 8-turn control knob |
| Extraneous Light Immunity | Sunlight: 10,000 lux maximum, Incandescent lamp: 5,000 lux maximum | | | |
| Vibration Resistance | Damage limits: 10 to 55 Hz, amplitude 1.5 mm, 30 minutes in each axis | | | |
| Shock Resistance | Damage limits: 500 m/s ² , 3 shocks each in 6 axes 3 consecutive times | | | |
| Operating Temperature | -25 to +60°C (no freezing), storage temperature: -40 to +70°C | | | |
| Operating Humidity | 35 to 85% RH (no condensation), storage humidity: 35 to 85% RH | | | |
| Connection Method | Terminal block with M3 spring-up screws | | | |
| Applicable Cable | Outside diameter ø8 to ø10 mm (core 0.3 to 0.75 mm ²) | | | |
| Cable Extension | Extendable up to 100m with a cabtyre cable of 0.3 mm ² minimum | | | |
| Housing Material | PBT (indicator cover: PC) | | | |
| Lens Material | PC/PET | PMMA | PC/PET | |
| Degree of Protection | IP67 (IEC/EN60529) | | | |

•Time Delay Specifications

| Sensing Method | Through-Beam | Polarized Retroreflective | Diffuse-Reflective | Background Suppression |
|-----------------------------------|---|---------------------------|---------------------------|---------------------------|
| Type No. | SA1U-T50MT SA1U-T50MWT | SA1U-P07MT SA1U-P07MWT | SA1U-D01MT SA1U-D01MWT | SA1U-B02MT SA1U-B02MWT |
| Time Range | 0.1 to 5.0 sec (adjusted with the 1-turn control knob) | | | |
| Time Delay Function | One shot, ON delay, OFF delay, and normal (no delay limit operation) modes | | | |
| Temperature Effect of Time Delay | ±10% maximum of the time delay for 20°C temperature rise within the operating temperature range | | | |
| Repetitive Accuracy of Time Delay | ±1.0% maximum of the time delay for repetitive inputs at 10 seconds or more | | | |

SA1U Photoelectric Switches

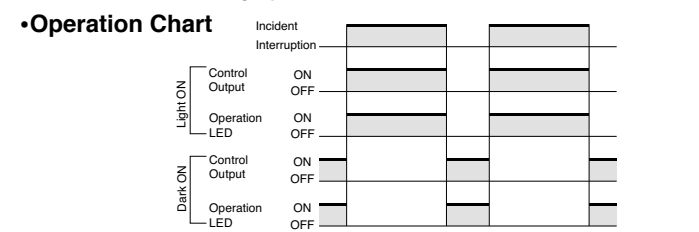
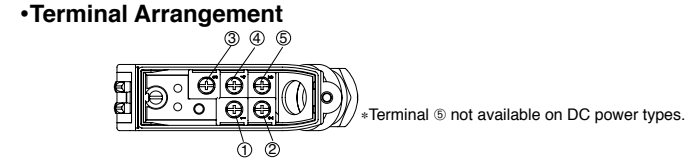
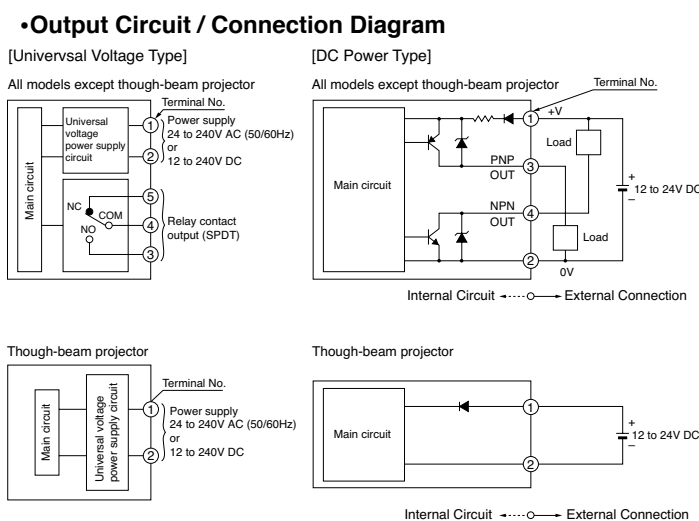
Descriptions

Without Time Delay

•Part Names
 SA1U-T50M*
 SA1U-P07M*
 SA1U-D01M*

SA1U-B02M*
 Operation LED (yellow)
 Sensing Range Control
 Mode Selector (Light ON / Dark ON)

*1: Power LED for through-beam projector
 *2: Not available on through-beam projector

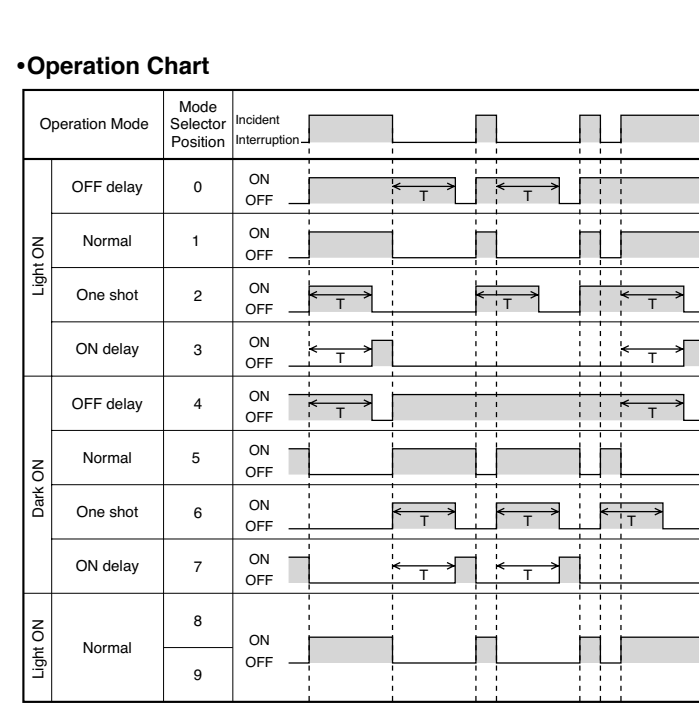
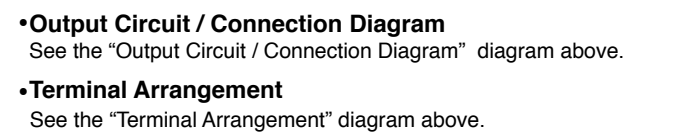


With Time Delay

•Part Names
 SA1U-T50M*T
 SA1U-P07M*T
 SA1U-D01M*T

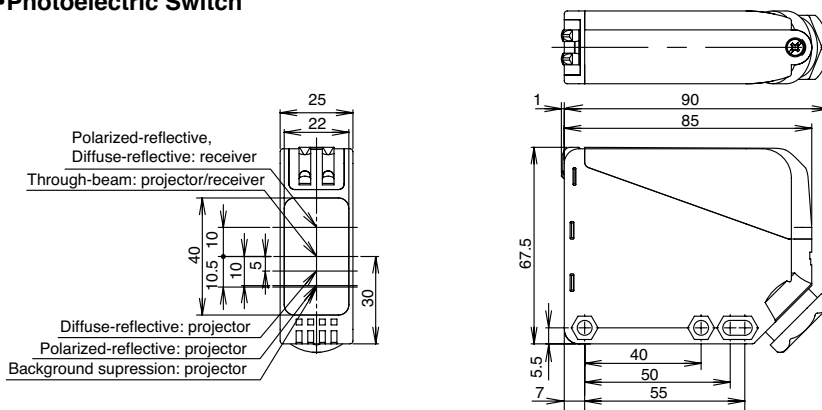
SA1U-B02M*T
 Operation LED (yellow)
 Timer Control
 Mode Selector (Light ON / Dark ON, time delay mode)
 Sensing Range Control

*1: Power LED for through-beam projector
 *2: Not available on through-beam projector



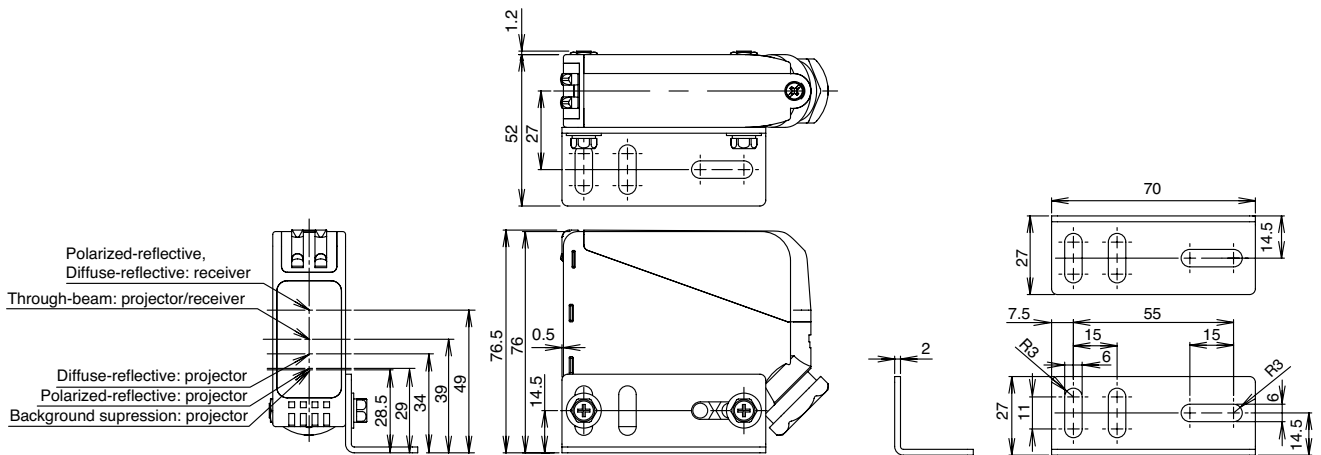
Dimensions

•Photoelectric Switch

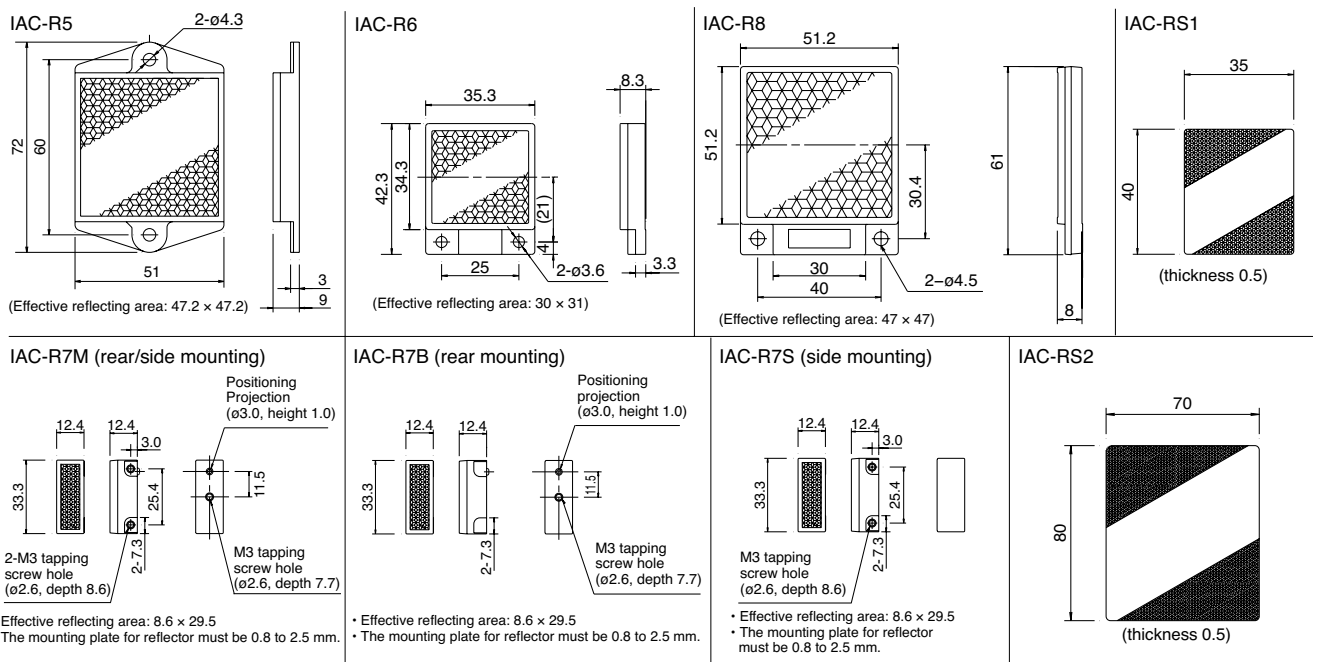


•When the Mounting Bracket is Attached

•Mounting Bracket



•Reflector



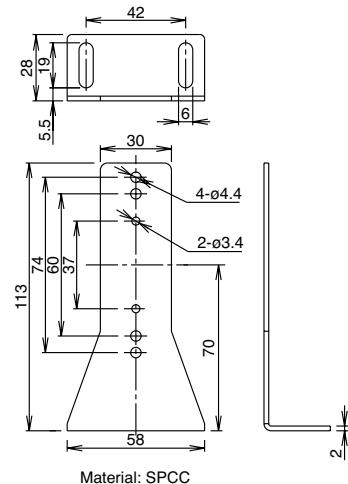
All dimensions in mm.

SA1U Photoelectric Switches

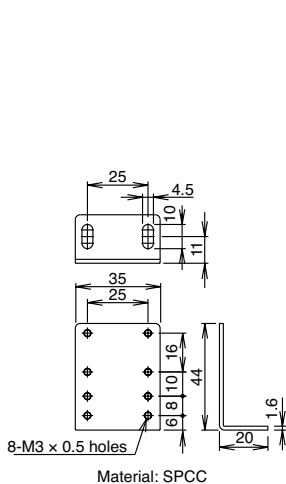
Dimensions

• Reflector Mounting Bracket

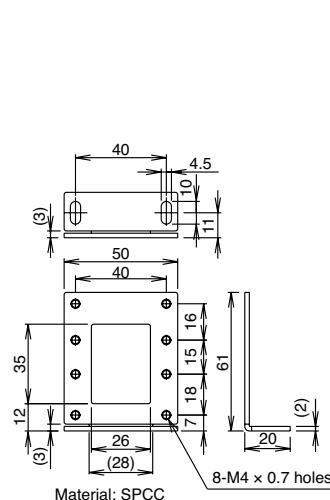
IAC-L2 (for IAC-R5)



IAC-L3 (for IAC-R6)



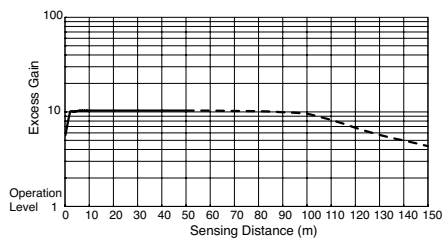
IAC-L5 (for IAC-R8)



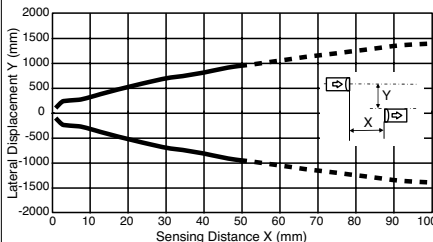
Characteristics (Typical)

• Through-Beam Type SA1U-T50M*

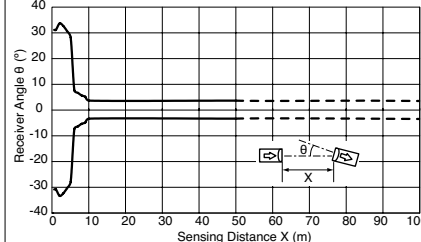
- Excess Gain (transparency 1% ND filter is used)



- Lateral Displacement (transparency 2.8% ND filter is used)

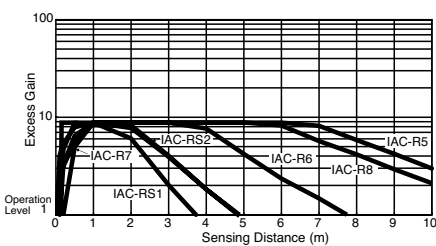


- Angle

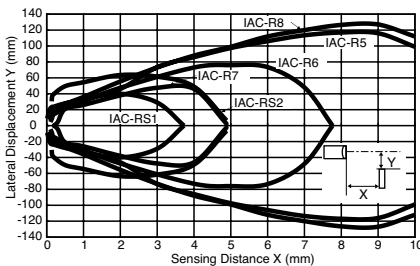


• Polarized Retroreflective Type SA1U-P07M*

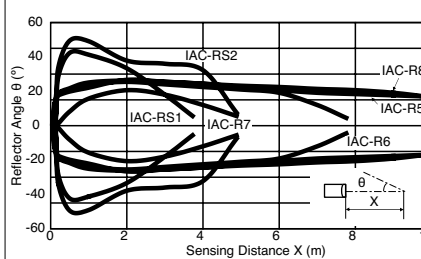
- Excess Gain



- Lateral Displacement

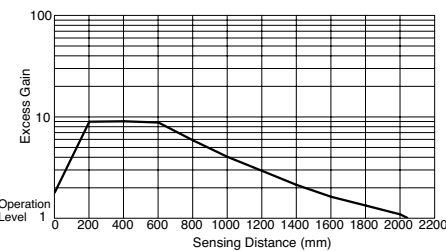


- Angle

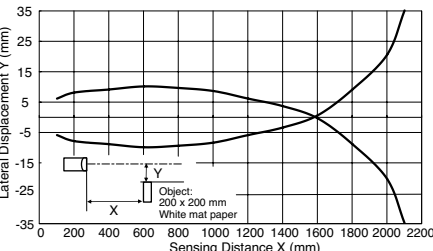


• Diffuse-Reflective Type SA1U-D01M*

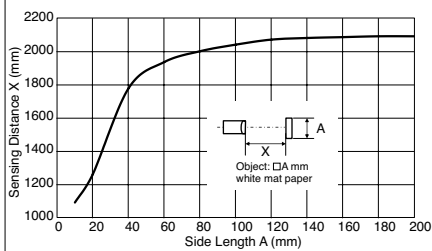
- Excess Gain



- Lateral Displacement



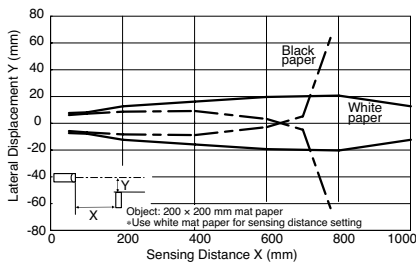
- Object Size vs. Sensing Distance



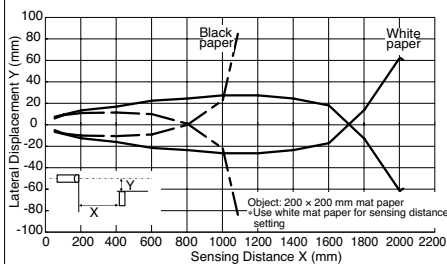
Characteristics (Typical)

• Background Suppression Type SA1U-B02M*

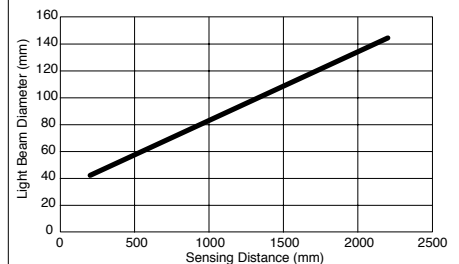
• Lateral Displacement (preset 1m)



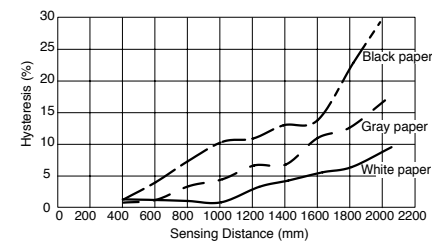
• Lateral Displacement (preset 2m)



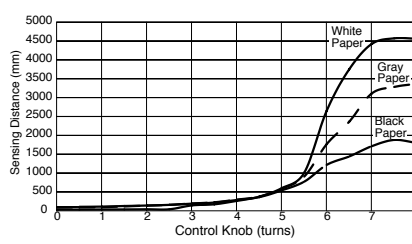
• Light Beam Diameter



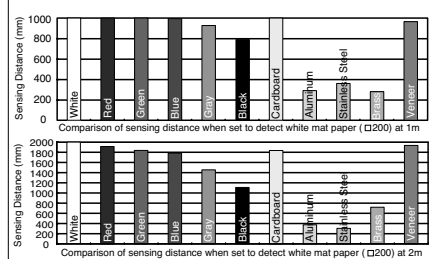
• Sensing Distance vs. Hysteresis



• Control Knob vs. Sensing Distance



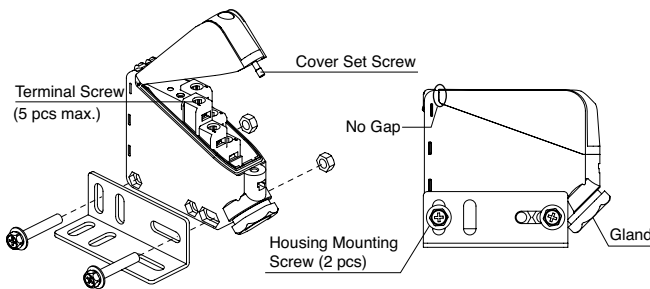
• Color Mat Paper and Other Materials



Instructions

Installation

Make sure that there are no gaps between the cover and the housing as shown in the diagram below.



To maintain waterproof characteristics, tighten the screws within the range of the recommended tightening torque. Excessive tightening may cause damage.

• Screw Tightening Torque

| Screw | Recommended Tightening Torque (N·m) |
|------------------------|-------------------------------------|
| Terminal screw | 0.6 to 1.0 |
| Gland | 4.0 to 6.0 |
| Cover set screw | 0.5 to 0.8 |
| Housing mounting screw | 0.8 to 1.2 |

Notes

- When installing photoelectric switches, take into consideration the reflecting light from the floor or walls as it may affect sensing of through-beam and background suppression types.
- Make sure to prevent sunlight, fluorescent light, and fluorescent light of inverters from entering the receiver of the photoelectric switch directly. Keep the through-beam type receiver away from intense extraneous light.
- When installing SA1U photoelectric switches, do not tighten the mounting screws excessively or hit the switch with a hammer, otherwise the protection degree cannot be maintained.
- Make sure that the supply voltage is within the rated values.
- When using a switching regulator, be sure to ground the FG (frame ground) terminal.
- To suppress a transient state at start-up, a circuit to turn off the

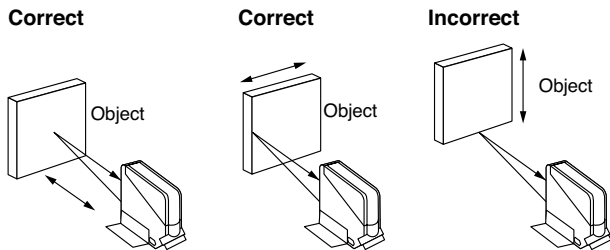
output is installed (universal voltage type: 50 ms, DC power type: 100 ms). The timer will start after resetting the off output.

- To meet European Union Low Voltage Directives, install an EN approved fuse on the outside of the power terminal or output terminal of the universal voltage type SA1U photoelectric switches.
- Attach the cover properly to maintain waterproof characteristics.
- Interference prevention allows two SA1U photoelectric switches to be mounted in close proximity. However, the through-beam type is not equipped with interference prevention. Maintain appropriate distance between the switches referring to the lateral displacement characteristics on page 8.
- Polycarbonate or acrylic resins are used for optical elements. Do not use ammonia or caustic soda for cleaning, otherwise optical elements will dissolve. To remove dust and moisture build-up, use soft dry cloth.
- When mounting the reflector, do not tighten the mounting screws excessively, otherwise the screw hole of the reflector may be damaged.
- Use M4 mounting screws for the IAC-R5 and IAC-R8 reflectors and M3 mounting screws for the IAC-R6 reflector. Tighten the mounting screws to a tightening torque of 0.5 N·m maximum.
- Use the M3 self-tapping screw, flat washer, and spring washer to tighten the IAC-R7 reflector to a torque of 0.5 to 0.6 N·m. While optional reflector mounting bracket IAC-L2 is not supplied with mounting screws or nuts, the IAC-L3 and IAC-L5 are supplied with mounting screws for mounting the reflector on the bracket.
- IAC-RS1 and IAC-RS2 reflectors can be installed directly on a flat surface using the adhesive tape attached to the back of the reflector. Before attaching the reflector, clean the surface to ensure secure attachment.

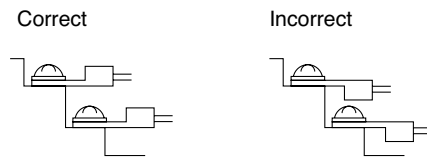
SA1U Photoelectric Switches

Instructions

- **Installing the Background Suppression (BGS) Type**
Install the sensor head as shown below to minimize sensing errors.

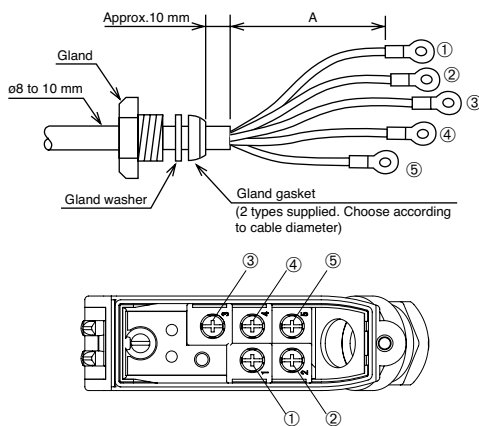


- When using crimp terminals, make sure that the terminals do not come into contact with adjacent terminals. For correct installation, see the figure below.



Wiring

- **Connecting Cables**



Recommended insulation length (A)

| Terminal No. | ① | ② | ③ | ④ | ⑤ |
|-----------------|----|----|----|----|----|
| Length "A" (mm) | 45 | 30 | 55 | 40 | 25 |

- Connect the cables to the correct terminal number. Connect the lower terminal screws first.
- Attach the cover and secure with the set screw.
*To maintain waterproof and dustproof characteristics, use cable cables (do not use soft cables as it may fall out) with $\phi 8$ to $\phi 10$ mm diameter. Install the attached gland gasket and washer and tighten the gland securely. For the small gland gasket, use a cable with $\phi 8$ to $\phi 10$ mm diameter. For the large gland gasket, use a cable with $\phi 9$ to $\phi 10$ mm diameter. The cable sheath should be 10 mm approx. Make sure that the gland washer fits in the groove of the gasket.
- When wiring, make sure that the power is turned off.
- Incorrect wiring may cause damage to the internal circuit.
- Avoid parallel wiring with high-voltage or power lines (especially inverters) in the same conduit, otherwise noise may cause malfunction and damage.
- When wiring is long or may be affected by power lines, use a separate conduit for wiring.
- Use a cable of 0.3 mm² minimum core wires. The cable can be extended up to 100m. For DC power types, voltage drop due to resistance of the cable lead wire should be taken into consideration.

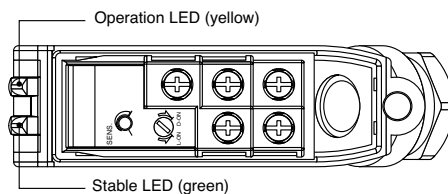
- **Dimension of Applicable Crimping Terminals**

Dimensions in mm.

| Ring Terminal | Spade Terminal |
|---------------|----------------|
| | |

- When using insulation for ring terminals, use an insulating sheath.
- Install the insulation sheath to the crimp part before wiring.
- Only one crimp terminal can be connected per terminal.

Indicator and Output Operation



The operation LED turns on (yellow) when the control output is on. The stable LED turns on (green) either at stable incident or stable interruption. Make sure to use the SA1U photoelectric switch after the stable LED is on.

See the table below.

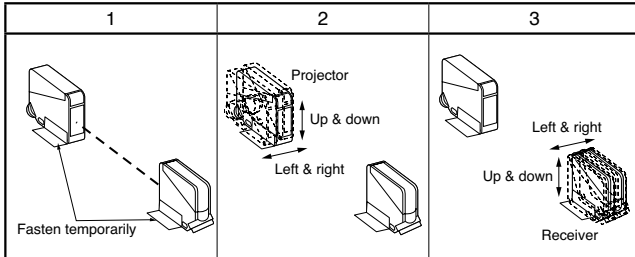
| Light Receiving Status | Stable LED (green) | Operation LED (yellow)/ Control Output | |
|------------------------|--------------------|--|---------|
| | | Light ON | Dark ON |
| Stable Incident | ON | ON | OFF |
| Unstable Incident | OFF | ON | OFF |
| Unstable Interruption | | OFF | ON |
| Stable Interruption | ON | OFF | ON |

Instructions

Optical Axis Alignment (Light ON)

(1) Through-Beam Type

Fasten the receiver temporarily. Place the projector facing the receiver. Move the projector up, down, right and left to find the range where the operation LED turns on. Fasten the projector in the middle of the range. Next, move the receiver up, down, right, and left in the same manner and fasten in the middle of the range where the operation LED turns on. Make sure that stable LED turns on at stable incident and stable interruption.



(2) Polarized Retroreflective Type

Install the reflector perpendicularly to the optical axis. Move the SA1U photoelectric switch up, down, right, and left to find the range where the operation LED turns on. Fasten the switch in the middle of the range. Polarized retroreflective type can be installed also by finding the position where the reflection of projected red light is most intense, while observing the reflection on the reflector from behind the switch. Make sure that stable LED turns on at stable incident and stable interruption.

(3) Diffuse-Reflective Type

Place the SA1U photoelectric switch where the switch can detect an object. Move the switch up, down, right, and left to find the range where the operation LED turns on. Fasten the switch in the middle of the range. Make sure that stable LED turns on at stable incident and stable interruption.

Sensitivity Adjustment

(except Background Supression Type)

- Referring to the table below, adjust the sensitivity of the SA1U photoelectric switch when necessary, such as when the through-beam type is used to detect small or translucent objects or the reflective type is affected by background. The table explains the status of operation LED when the operation mode is set to light ON.
- After adjusting the sensitivity, make sure that stable LED turns on at stable incident and stable interruption.
- Sensitivity is set to the maximum at the factory before shipment. When adjusting the sensitivity, use the screwdriver supplied with the SA1U photoelectric switch to turn the control as shown below, to a torque of 0.03 N·m maximum.

| Step | Photoelectric Switch Status | Sensitivity Control | Adjusting Procedure |
|------|--|---------------------|---|
| 1 | Receiving light • Through-beam, polarized reflective: No object detected • Diffuse reflective: Object detected | | Turn the control counterclockwise to the minimum. Then turn clockwise until the operation LED turns on (turns off with dark ON type) (point A). |
| 2 | Light is interrupted • Through-beam, polarized reflective: Object detected • Diffuse reflective: No object detected | | At interruption status, turn the control clockwise from point A, until the operation LED turns on (turns off with dark ON type) (point B). If the operation LED does not turn on (turn off with dark ON type) even though the control has reached the maximum, set the maximum position as point B. |
| 3 | — | | Set the middle point between point A and B as point C. |

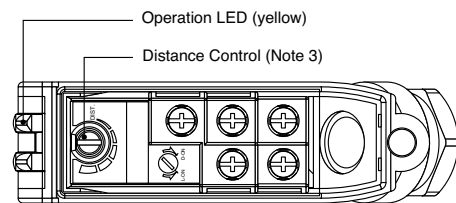
Adjustment of Sensing Range for Background Suppression

When adjusting the sensing range, follow the instruction below.

| Step | Distance Control | Adjusting Procedure |
|------|------------------|---|
| 1 | | Install the photoelectric switch and the object firmly. Turn the control counterclockwise until the operation LED turns off (turns on with dark ON type). From this point, turn the control clockwise until the operation LED turns on (turns off with dark ON type) (point A). |
| 2 | | Remove the object, and confirm that the operation LED turns off (turns on with dark ON type). Turn the control clockwise until the operation LED turns on (detecting the background) (turns off with dark ON type) (point B). (Note 1) |
| 3 | | Set the middle point between point A and B as point C. (Note 2) |

Note 1: When the background distance is too far and not detected, turn the control 360°, and set the point as point C.

Note 2: Because the control is multi-turn, it may take more than one turn to move from point A to point B.



Note 3: Turning the control clockwise lengthens the sensing distance.

Note 4: Background suppression (BGS) type is not provided with a stable LED.

SA1E Miniature Photoelectric Switches (Built-in Amplifier Type)

Simple, small, and worldwide standard

- Six sensing methods
- Cable type (three cable lengths) and M8 connector type are available.
- NPN output, PNP output, light ON, and dark ON can be selected.
- Background suppression (BGS) type detects objects only, ignoring the background.
- Red LED type available for easy alignment in long distance applications (through-beam, polarized retroreflective, small-beam reflective, BGS)
- Convergent reflective type is ideal for detecting objects at a short distance with a background.
- Also available without sensitivity adjustment (through-beam and polarized retroreflective)
- Air blower mounting block for installing an air blower to clean the lens surface, ideal to maintain a clean lens surface and sensor performance.
- UL listed, CE marked



| Sensing Method | | Sensing Range | Type No. |
|---------------------------|--|--|--|
| Through-Beam | | 15m (SA1E-T*NA) | <ul style="list-style-type: none"> • NPN output SA1E-TN* • PNP output SA1E-TP* |
| Polarized Retroreflective | | 3.0m [100 mm] (when IAC-R5/R8 is used) | <ul style="list-style-type: none"> • NPN output SA1E-PN* • PNP output SA1E-PP* |
| Diffuse-Reflective | | 700 mm | <ul style="list-style-type: none"> • NPN output SA1E-DN* • PNP output SA1E-DP* |
| Small-beam Reflective | | 50 to 150 mm | <ul style="list-style-type: none"> • NPN output SA1E-NN* • PNP output SA1E-NP* |
| Background Suppression | | 20 to 200 mm Adjustable sensing range 40 to 200 mm | <ul style="list-style-type: none"> • NPN output SA1E-BN* • PNP output SA1E-BP* |
| Convergent Reflective | | 5 to 35 mm | <ul style="list-style-type: none"> • NPN output SA1E-GN* • PNP output SA1E-GP* |



Safety Precautions

Turn off power to the SA1U photoelectric switches before installation, removal, wiring, maintenance, and inspection. Failure to turn power off may cause electrical shock or fire hazard.

Specifications and other descriptions in this catalog are subject to change without notice.



IDEC CORPORATION

7-31, Nishi-Miyahara 1-Chome, Yodogawa-ku, Osaka 532-8550, Japan
Tel: +81-6-6398-2571, Fax: +81-6-6392-9731
E-mail: marketing@idec.co.jp

IDEC CORPORATION (USA)
1175 Elko Drive, Sunnyvale, CA 94089-2209, USA
Tel: +1-408-747-0550 / (800) 262-IDEC (4332)
Fax: +1-408-744-9055 / (800) 635-6246
E-mail: opencontact@idec.com

IDEC CANADA LIMITED
3155 Pepper Mill Court, Unit 4, Mississauga, Ontario, L5L 4X7, Canada
Tel: +1-905-890-8561, Toll Free: (888) 317-4332
Fax: +1-905-890-8562
E-mail: sales@ca.idec.com

IDEC AUSTRALIA PTY. LTD.
2/3 Macro Court, Rowville, Victoria 3178, Australia
Tel: +61-3-9763-3244, Toll Free: 1800-68-4332
Fax: +61-3-9763-3255
E-mail: sales@au.idec.com

IDEC ELECTRONICS LIMITED
Unit 2, Beechwood, Chineham Business Park, Basingstoke, Hampshire RG24 8WA, UK
Tel: +44-1256-321000, Fax: +44-1256-327755
E-mail: sales@uk.idec.com

IDEC ELEKTROTECHNIK GmbH
Wendenstrasse 331, 20537 Hamburg, Germany
Tel: +49-40-25 30 54 - 0, Fax: +49-40-25 30 54 - 24
E-mail: service@idec.de

IDEC (SHANGHAI) CORPORATION
Room 608-609, 6F, Gangtai Plaza, No. 700, Yan'an East Road, Shanghai 200001, PRC
Tel: +86-21-5353-1000, Fax: +86-21-5353-1263
E-mail: idec@cn.idec.com

IDEC (BEIJING) CORPORATION
Room 211B, Tower B, The Grand Pacific Building, 8A Guanghua Road, Chaoyang District, Beijing 100026, PRC
Tel: +86-10-6581-6131, Fax: +86-10-6581-5119

IDEC (SHENZHEN) CORPORATION
Unit AB-3B2, Tian Xiang Building, Tian'an Cyber Park, Fu Tian District, Shenzhen, Guang Dong 518040, PRC
Tel: +86-755-8356-2977, Fax: +86-755-8356-2944

IDEC IZUMI (H.K.) CO., LTD.
Units 11-15, Level 27, Tower 1, Millennium City 1, 388 Kwun Tong Road, Kwun Tong, Kowloon, Hong Kong
Tel: +852-2803-8989, Fax: +852-2565-0171
E-mail: info@hk.idec.com

IDEC TAIWAN CORPORATION
8F-1, No. 79, Hsin Tai Wu Road, Sec. 1, Hsi-Chih, Taipei County, Taiwan
Tel: +886-2-2698-3929, Fax: +886-2-2698-3931
E-mail: service@tw.idec.com

IDEC IZUMI ASIA PTE. LTD.
No. 31, Tannery Lane #05-01, HB Centre 2, Singapore 347788
Tel: +65-6746-1155, Fax: +65-6844-5995
E-mail: info@sg.idec.com