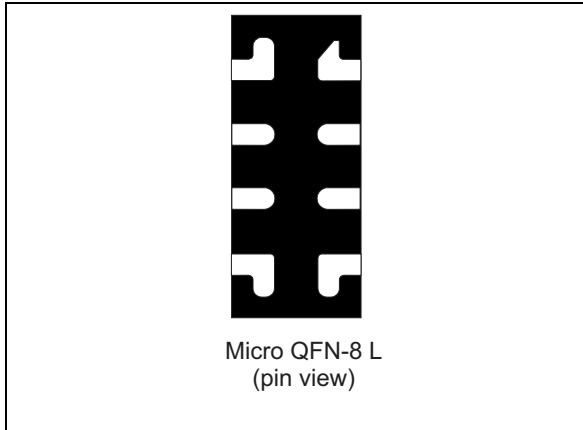


Common mode filter with ESD protection for USB 2.0 interface

Datasheet – production data



Features

- Integrated common mode filter
- Differential pair ESD protection
- 16 V V_{BUS} ESD and EOS protection
- ID pin ESD protection
- Low profile micro QFN-8L package
- High bandwidth: > 6 GHz
- Optimized for high speed USB 2.0
- High common mode attenuation at 900 MHz and 1.8 GHz
- Support of audio over USB 2.0 thanks to bidirectional ESD protection
- Ultra compact, low board space
- Low height: < 0.55 mm

Complies with the following standards:

- IEC 61000-4-2 level 4:
 - ±15 kV (air discharge)
 - ±8 kV (contact discharge)
- RoHS2 compliant

Applications

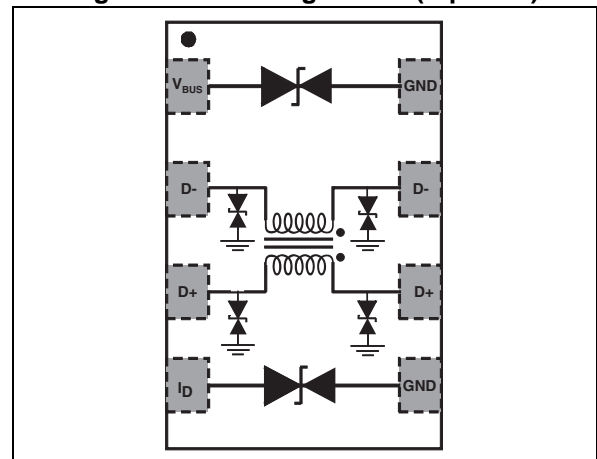
Where transient over-voltage protection in ESD sensitive equipment is required, such as:

- Computers
- Printers
- Communication systems
- Cellular phone handsets and accessories
- Video equipment

Description

ECMF02-4CMX8 affords key component integration such as common mode filter D+ and D- lines and ESD protection on all lines. This device offers an optimized flow-through footprint for USB 2.0 applications.

Figure 1. Pin configuration (top view)



1 Characteristics

Table 1. Absolute maximum ratings ($T_{amb} = 25\text{ }^{\circ}\text{C}$)

Symbol	Parameter		Value	Unit
V_{PP}	Peak pulse voltage ⁽¹⁾	ESD discharge IEC 61000-4-2, level 4		
		Contact discharge on D+/D- pins	10	kV
		Contact discharge on V_{BUS} and I_D pins	20	
		Air discharge on all pins	30	
P_{PP}	Peak pulse power (8/20 μ s) on V_{BUS}		150	W
I_{PP}	Peak pulse current (8/20 μ s) on V_{BUS}		4.8	A
T_{op}	Operating temperature		-30 to +85	$^{\circ}\text{C}$
T_j	Maximum junction temperature		125	$^{\circ}\text{C}$
T_{stg}	Storage temperature range		- 55 to +150	$^{\circ}\text{C}$

1. Measurements done on IEC 61000-4-2 test bench. For further details see Application note AN3353.

Figure 2. Electrical characteristics - definitions

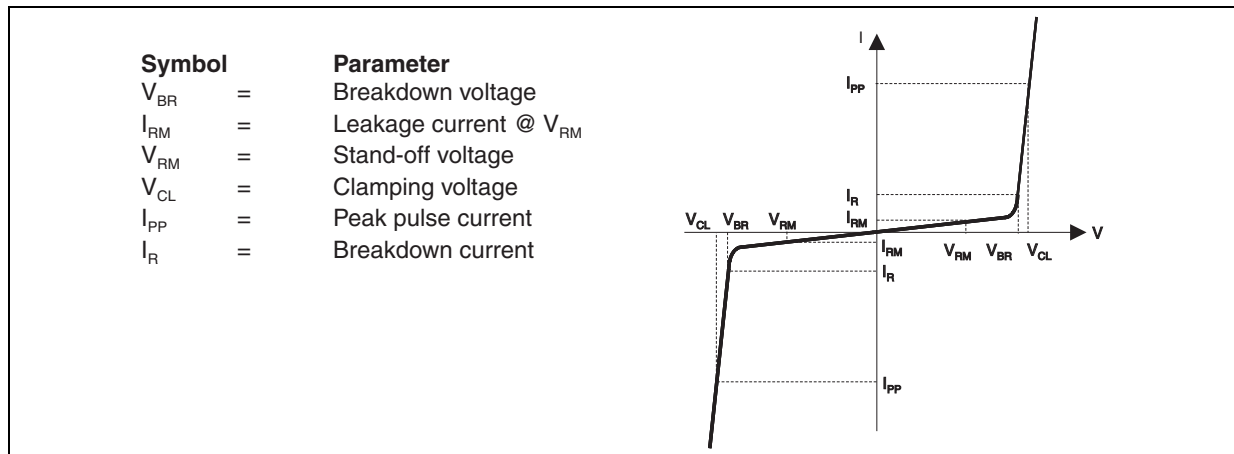


Table 2. Electrical characteristics (values, $T_{amb} = 25\text{ }^{\circ}\text{C}$)

Symbol	Test conditions	Min.	Typ.	Max.	Unit
Data Lines					
V_{BR}	$I_R = 1\text{ mA}$	6			V
I_{RM}	$V_{RM} = 5.5\text{ V per line}$			100	nA
R_{DC}	DC serial resistance on data line		3	4	Ω
V_{BUS}					
V_{BR}	$I_R = 1\text{ mA}$	15	16.5	18	V
I_{RM}	$V_{RM} = 12\text{ V}$			50	nA
V_{CL}	Clamping voltage. $I_{PP} = 1\text{ A}$, $t_p = 8/20\text{ }\mu\text{s}$			20	V
V_{CL}	Clamping voltage. $I_{PP} = 2.5\text{ A}$, $t_p = 8/20\text{ }\mu\text{s}$			24	V
I_D					
V_{BR}	$I_R = 1\text{ mA}$	6			V
I_{RM}	$V_{RM} = 1.5\text{ V per line}$			100	nA

Figure 3. SDD21 differential attenuation measurement ($Z_{0\text{ diff}} = 90\text{ }\Omega$) for data lines D+ and D-

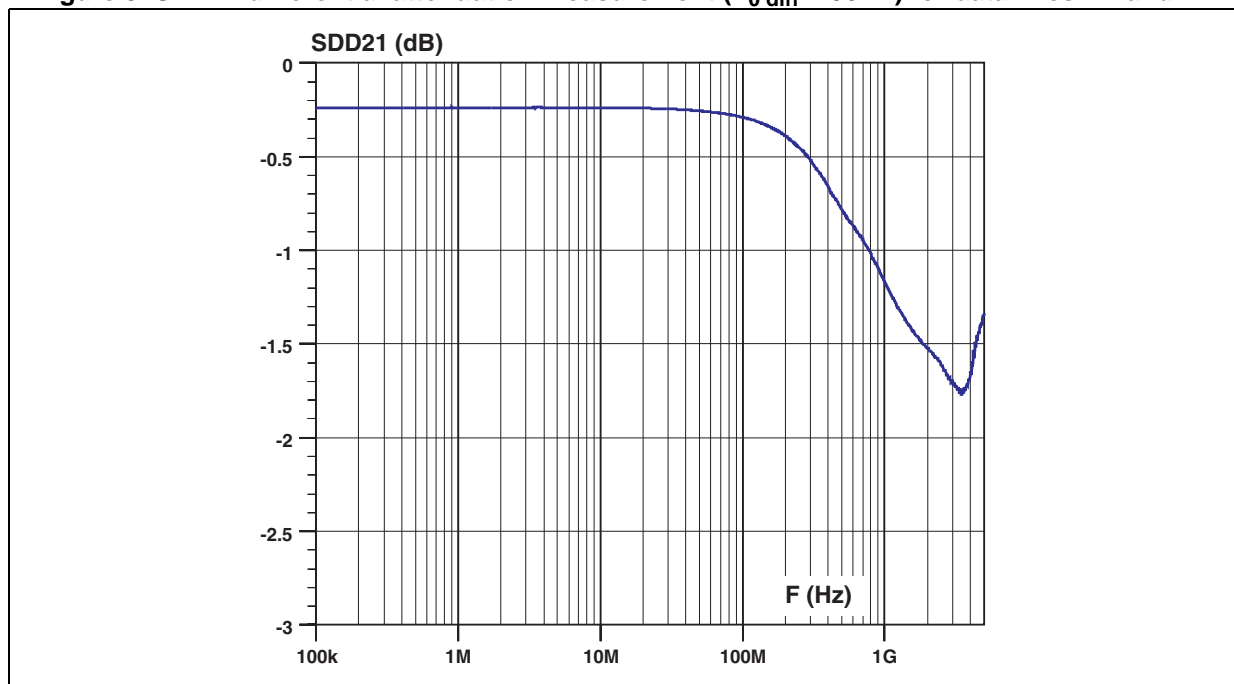


Figure 4. SCC21 common mode attenuation measurement ($Z_{0\text{ com}} = 45 \Omega$)

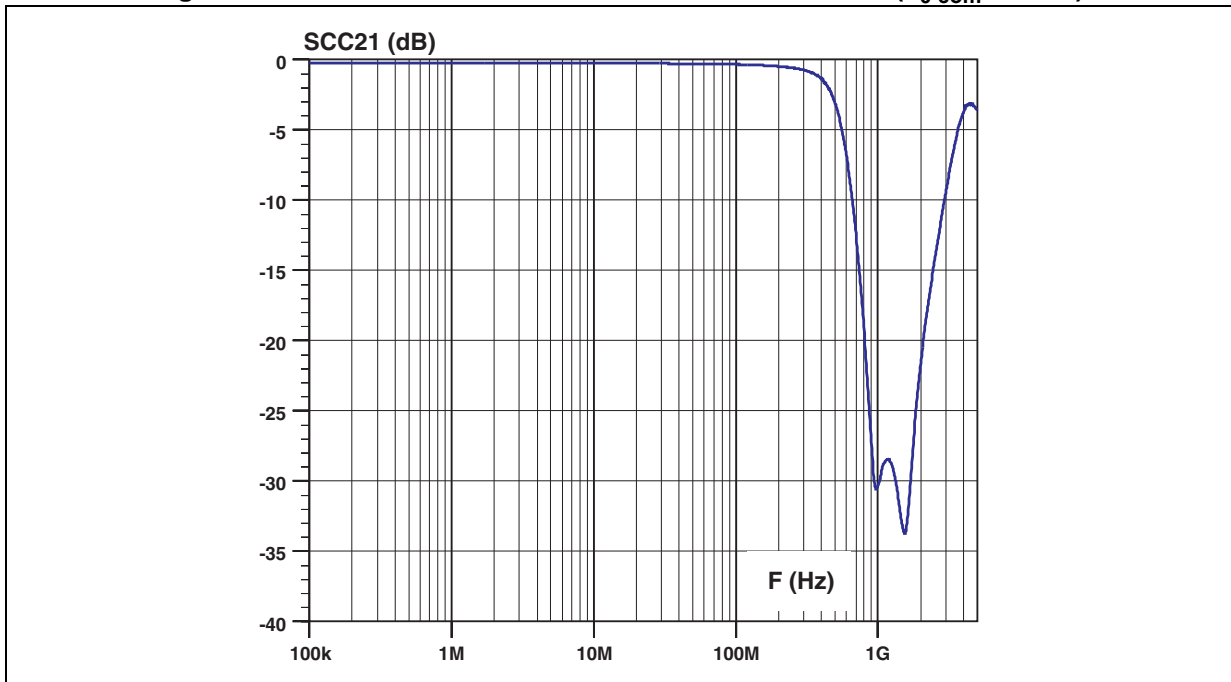


Figure 5. ID frequency response measurement ($Z_0 = 75 \Omega$)

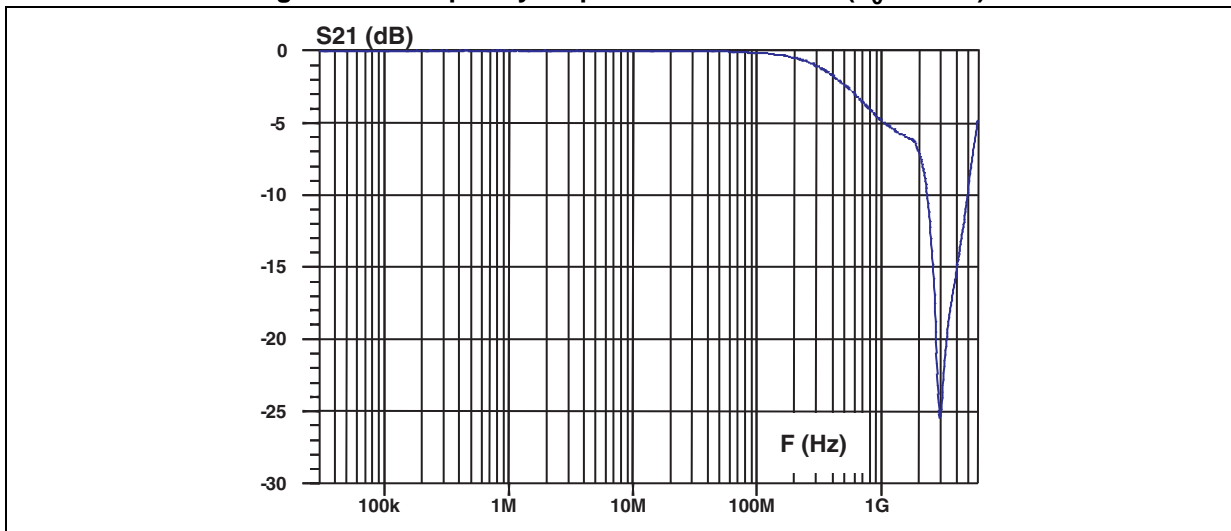


Figure 6. ESD test conditions

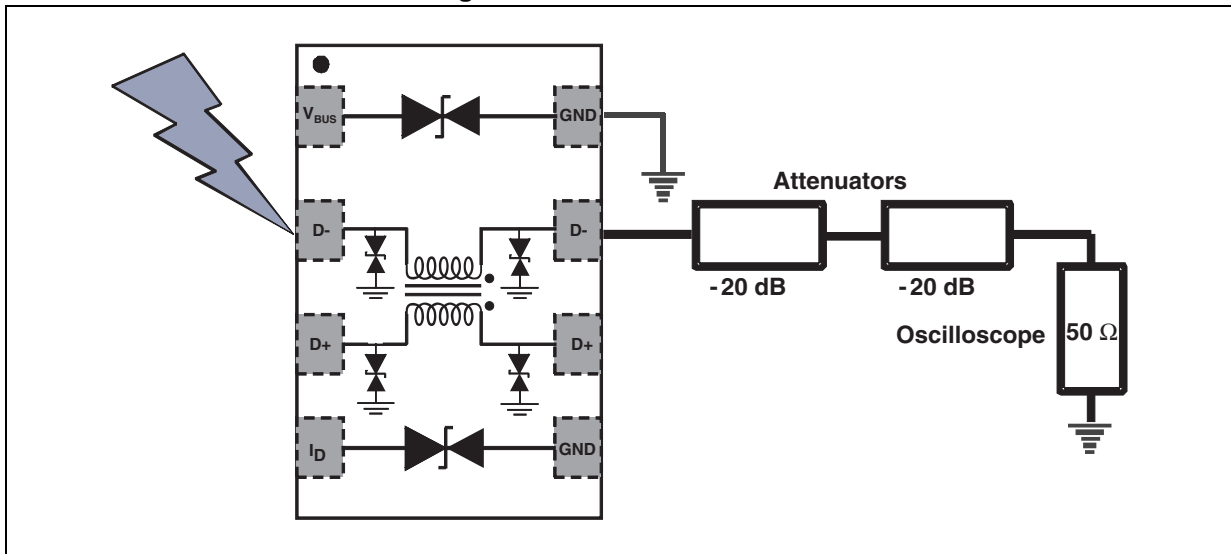


Figure 7. ESD response to IEC 61000-4-2 (+8 kV contact discharge) on V_{BUS}

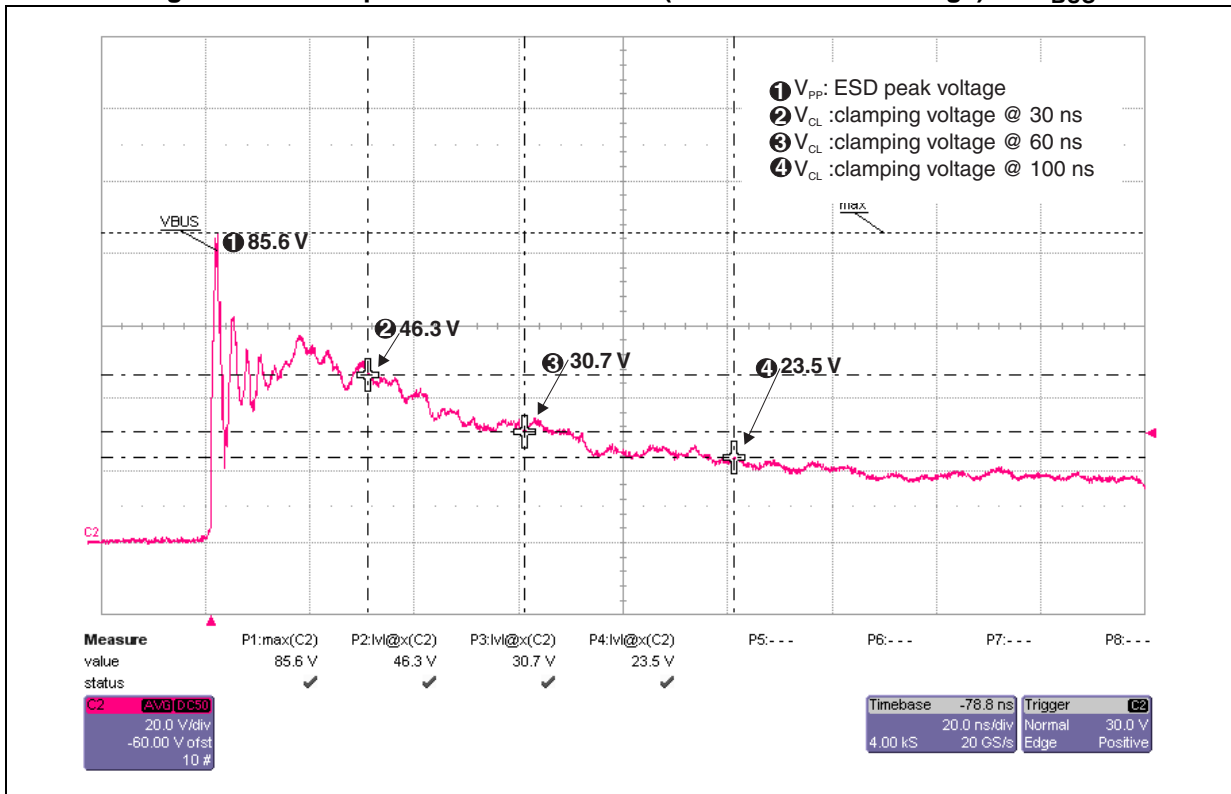


Figure 8. ESD response to IEC 61000-4-2 (-8 kV contact discharge) on V_{BUS}

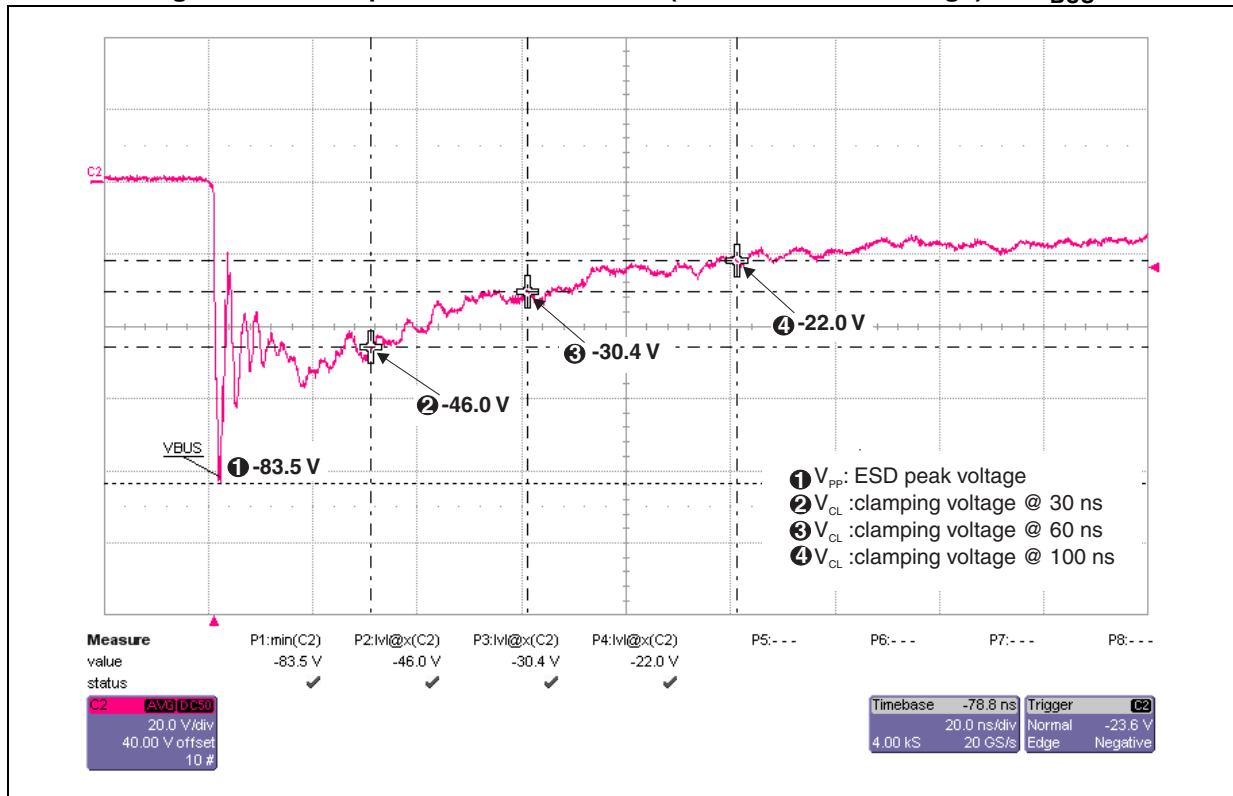


Figure 9. ESD response to IEC 61000-4-2 (+8 kV contact discharge) on I_D

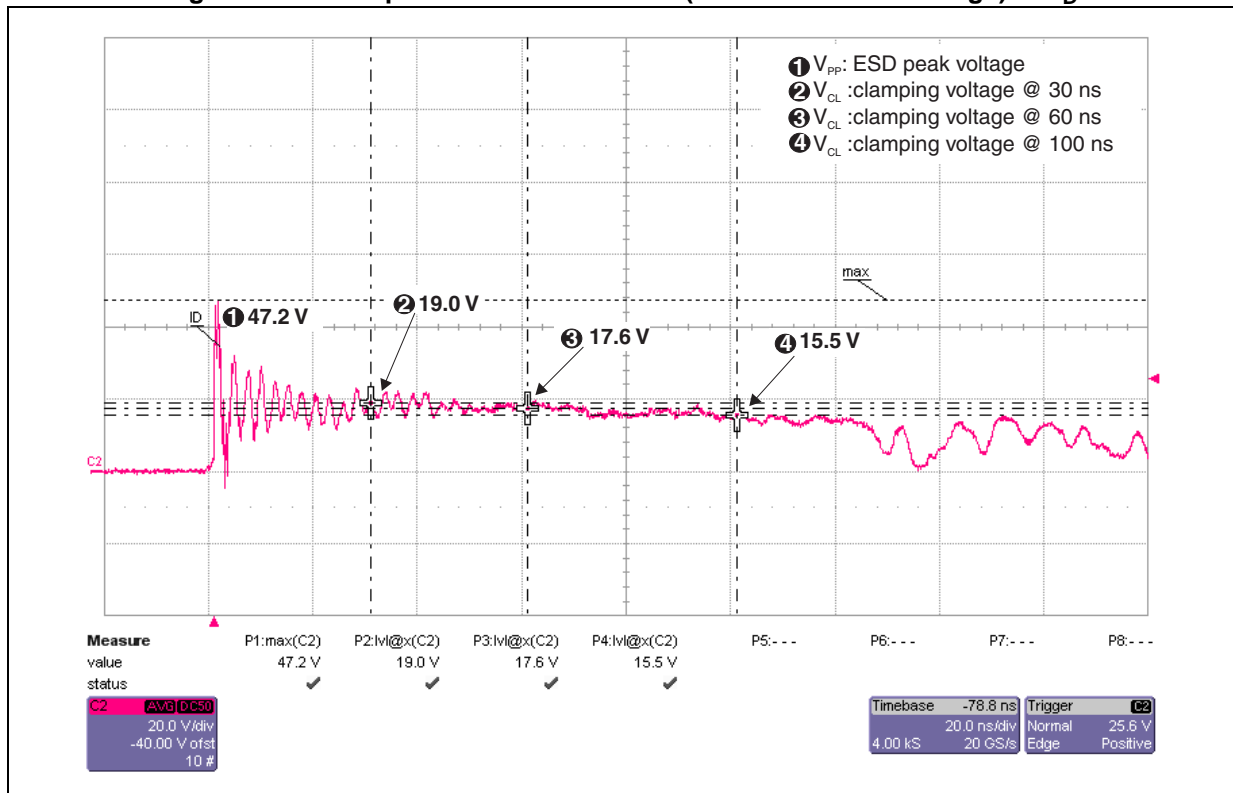


Figure 10. ESD response to IEC 61000-4-2 (-8 kV contact discharge) on I_D

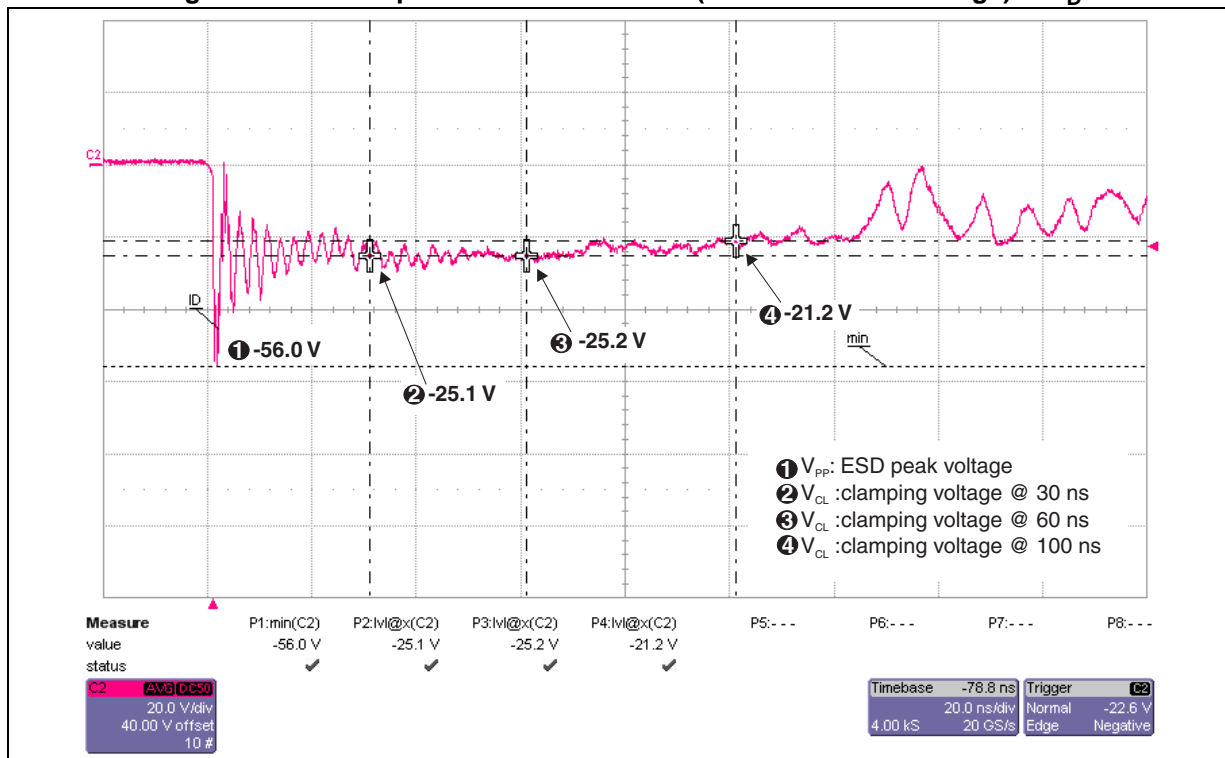


Figure 11. ESD response to IEC 61000-4-2 (+8 kV contact discharge) on differential lane

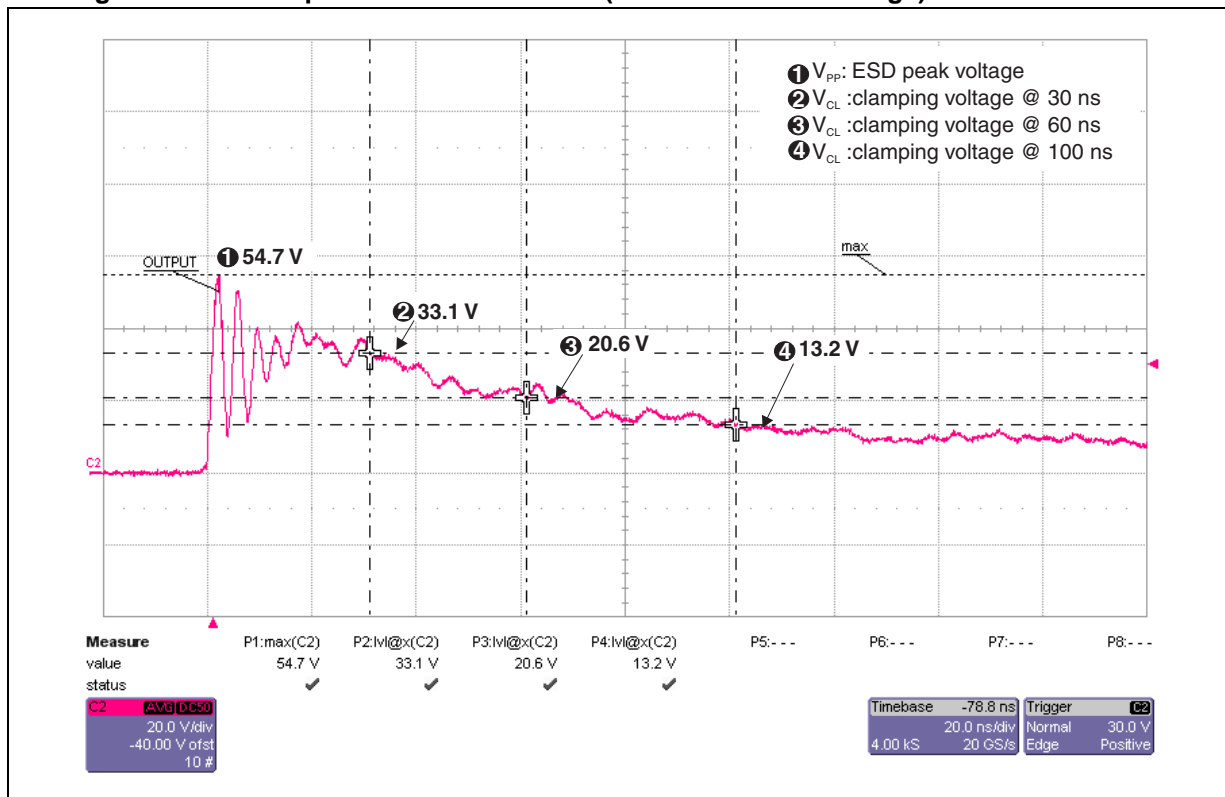


Figure 12. ESD response to IEC 61000-4-2 (-8 kV contact discharge) on differential lane

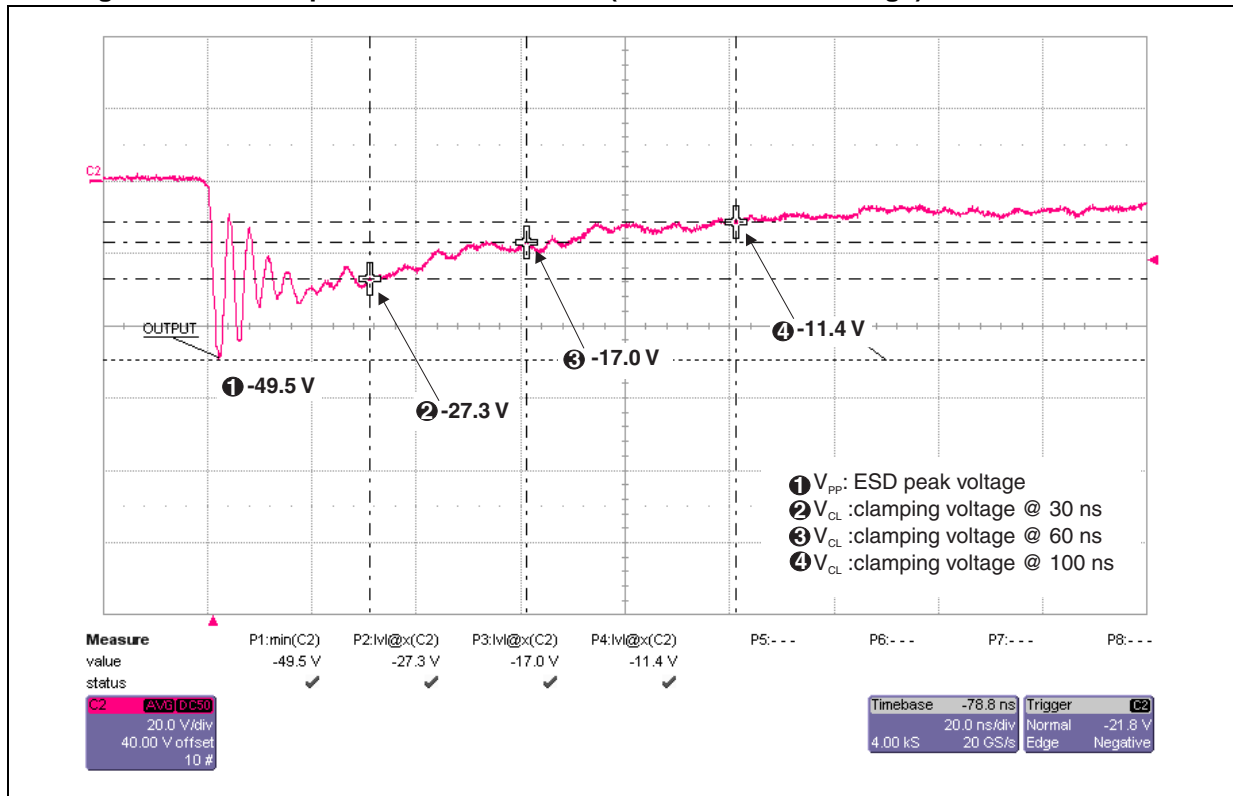


Figure 13. Eye diagram (loaded by $Z_{diff} = 90 \Omega$) with USB2.0 [mask 1] board only

Figure 14. Eye diagram (loaded by $Z_{diff} = 90 \Omega$) with USB2.0 [mask 1] board with ECM02-4CMX8

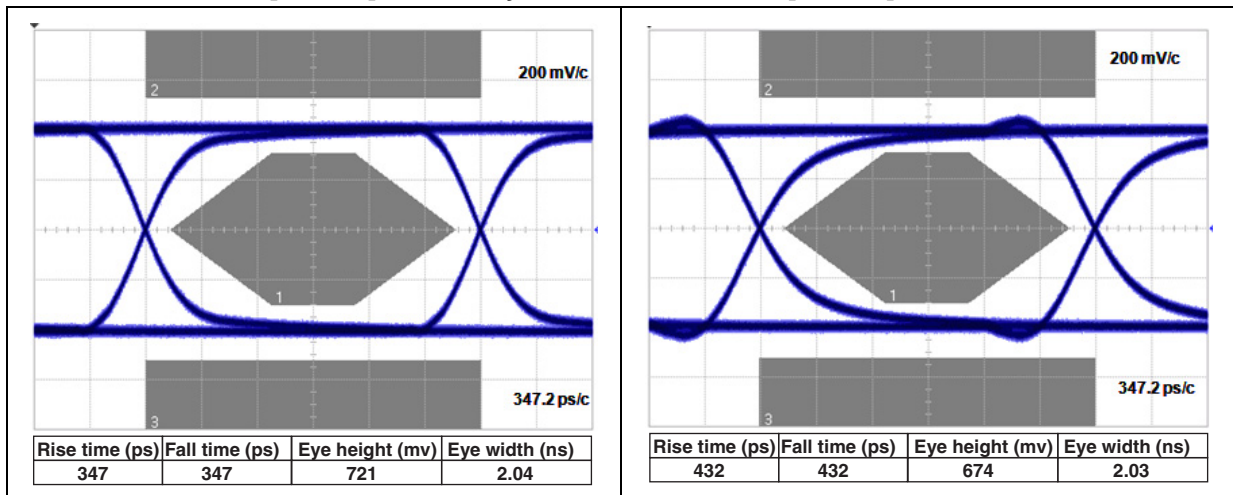


Figure 15. TDR measurement (loaded by $Z_{diff} = 90 \Omega$), rise time 400 ps

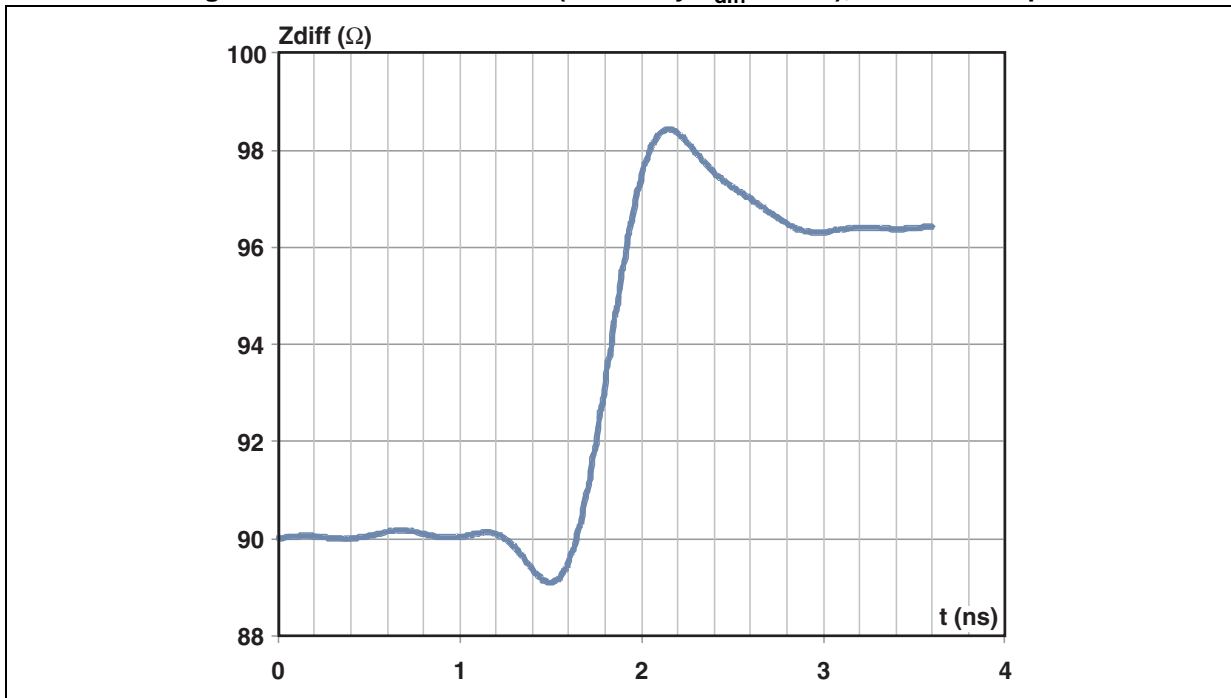


Figure 16. HS sync

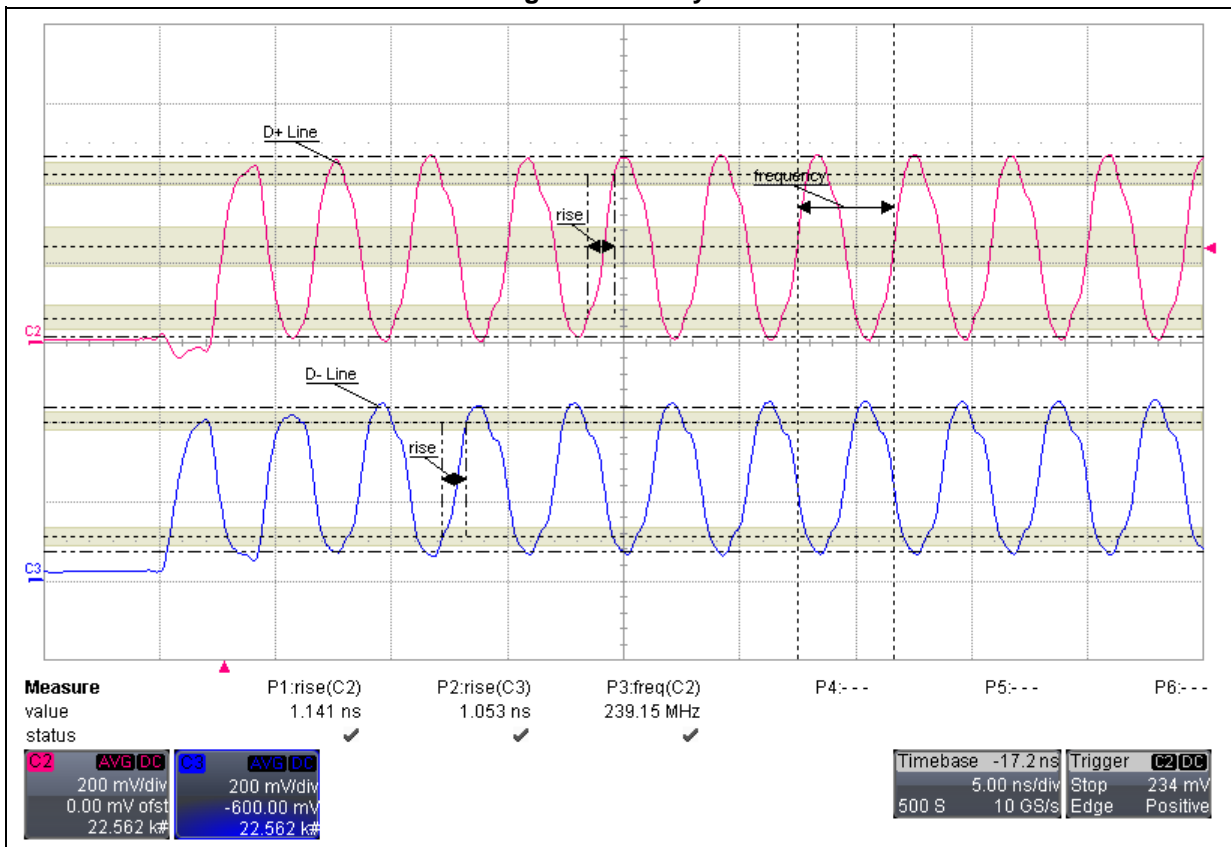


Figure 17. Total harmonic distortion on differential lanes

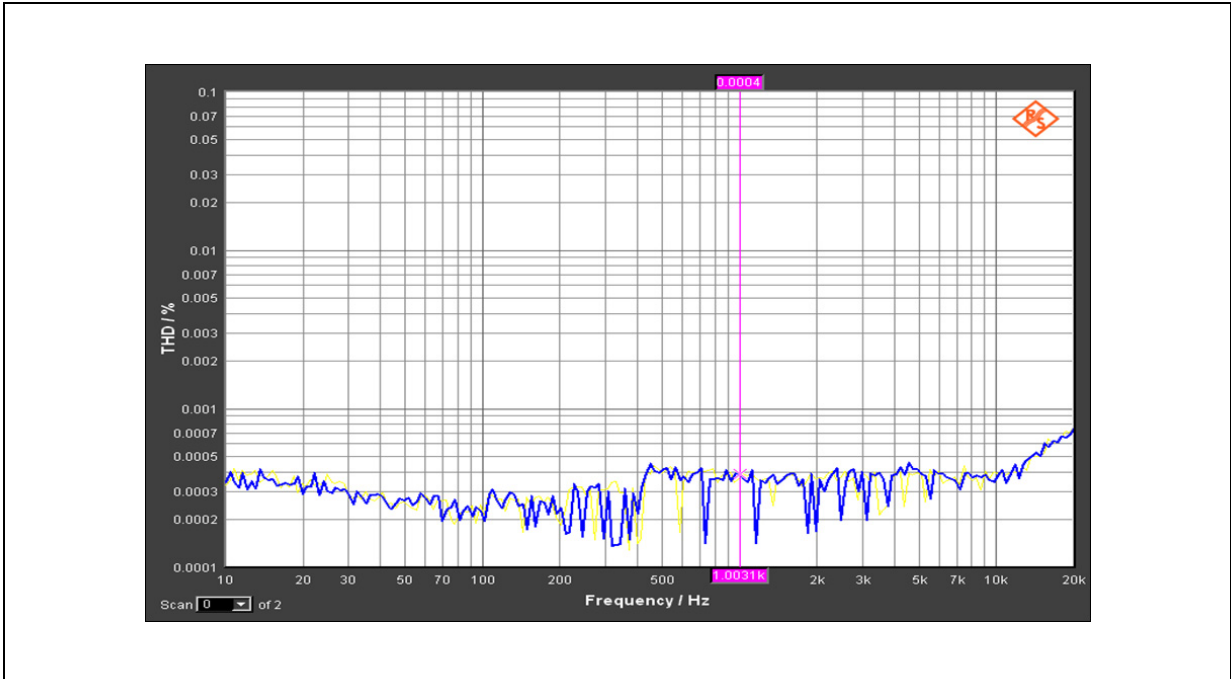
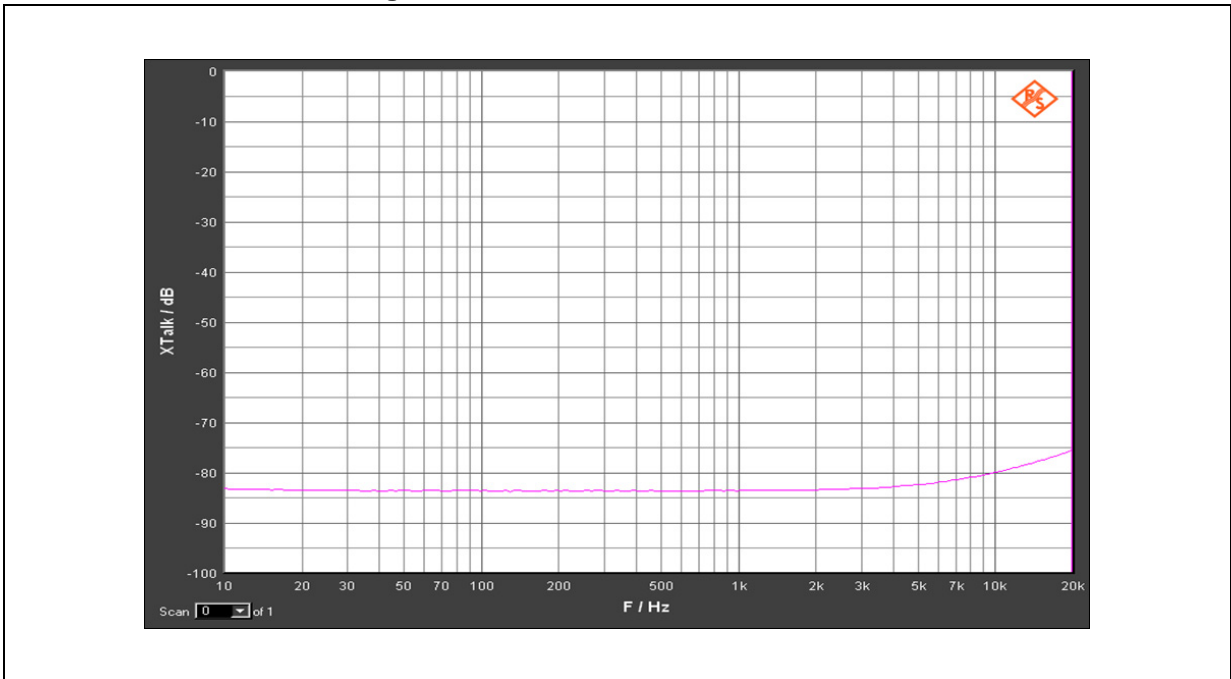
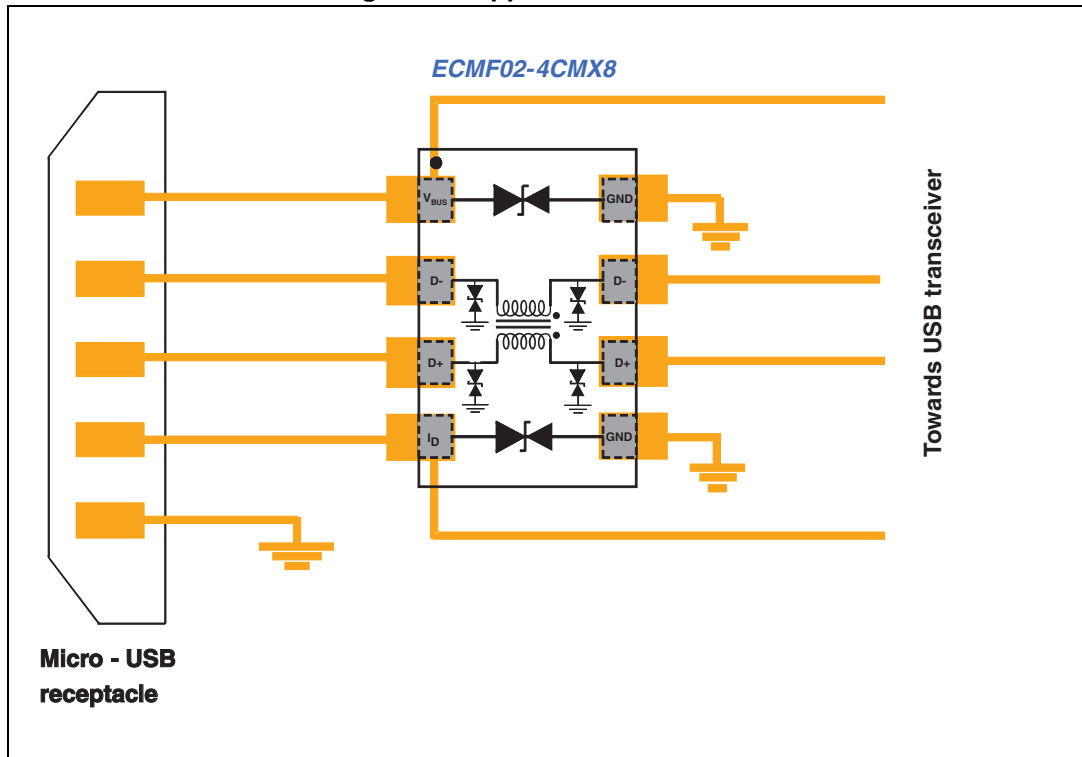


Figure 18. Crosstalk on differential lanes



2 Application schematic

Figure 19. Application schematic



3 Package information

- Epoxy meets UL94, V0
- Lead-free packages

In order to meet environmental requirements, ST offers these devices in different grades of ECOPACK® packages, depending on their level of environmental compliance. ECOPACK® specifications, grade definitions and product status are available at: www.st.com. ECOPACK® is an ST trademark.

Figure 20. Micro QFN-8L dimension definitions

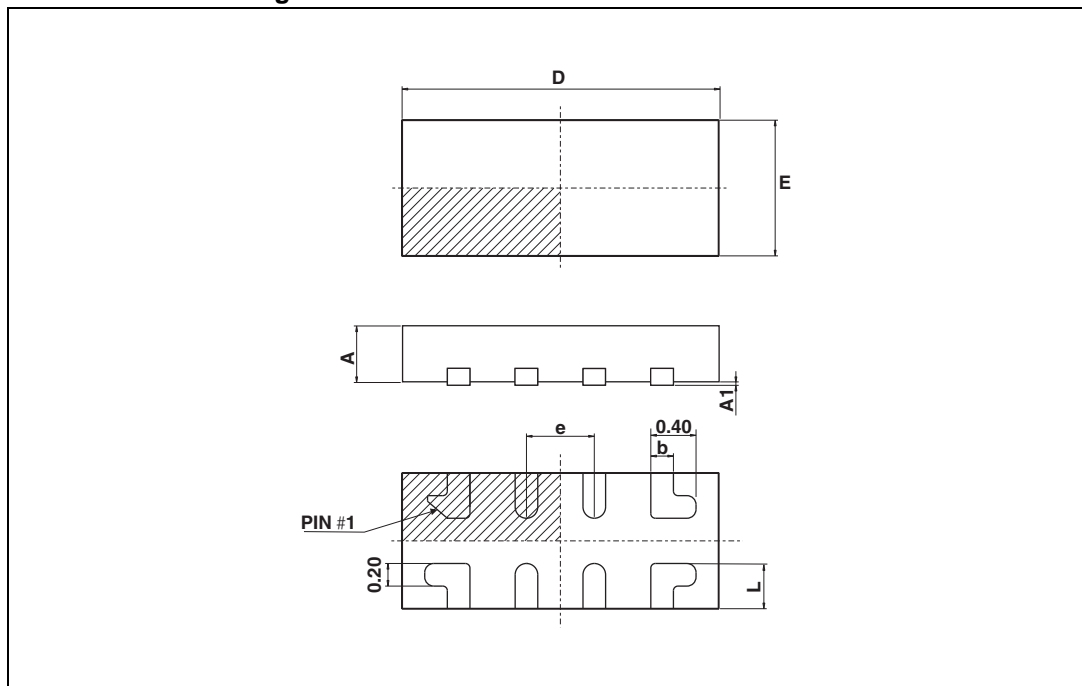


Table 3. Micro QFN-8L dimension values

Ref.	Dimensions					
	Millimeters			Inches		
	Min.	Typ.	Max.	Min.	Typ.	Max.
A	0.45	0.50	0.55	0.018	0.020	0.022
A1	0.00	0.02	0.05	0.00	0.0008	0.002
b	0.15	0.20	0.25	0.006	0.008	0.010
D	2.45	2.50	2.55	0.096	0.098	0.100
E	1.15	1.20	1.25	0.045	0.047	0.049
e	0.45	0.50	0.55	0.018	0.020	0.022
L	0.30	0.40	0.50	0.012	0.016	0.020

Figure 21. Footprint

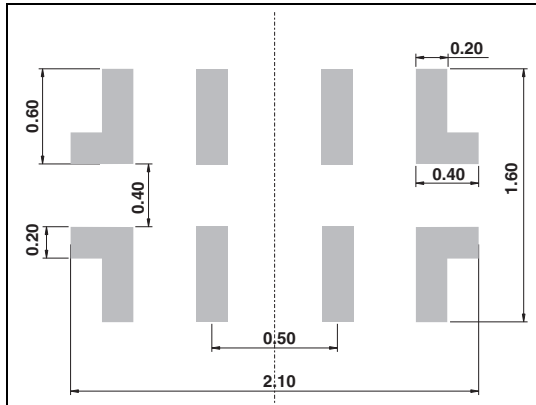


Figure 22. Marking

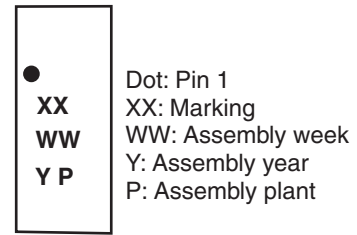
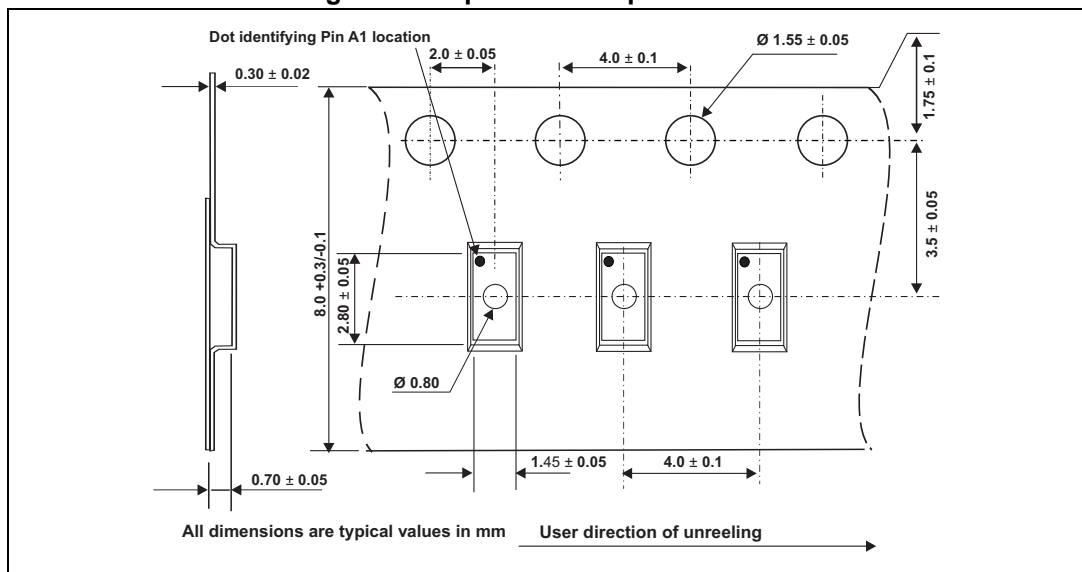


Figure 23. Tape and reel specifications



Note: More packing information is available in the application notes: AN1751: “EMI Filters: Recommendations and measurements”

4 Ordering information

Figure 24. Ordering information scheme

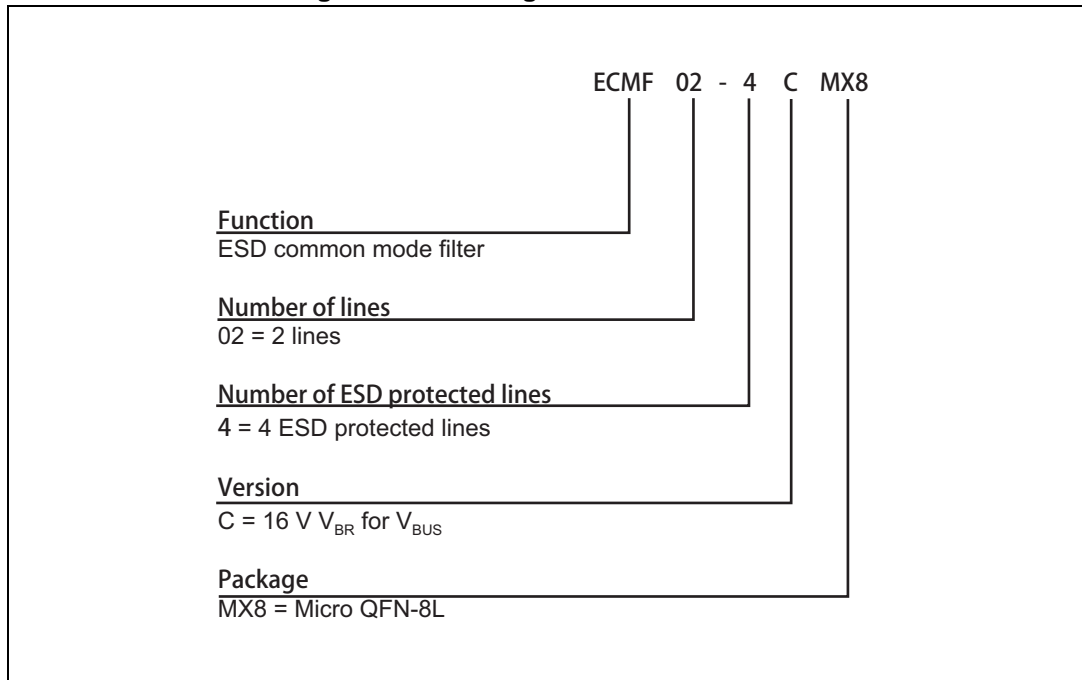


Table 4. Ordering information

Order code	Marking	Package	Weight	Base qty	Delivery mode
ECMF02-4CMX8	KG	Micro QFN-8L	3,7 mg	3000	Tape and reel

For the latest information on available order codes see the product pages on: www.st.com.

5 Revision history

Table 5. Document revision history

Date	Revision	Changes
19-Sep-2012	1	Initial release.
27-May-2014	2	Updated Figure 23 , Figure 24 and reformatted the document.

Please Read Carefully:

Information in this document is provided solely in connection with ST products. STMicroelectronics NV and its subsidiaries ("ST") reserve the right to make changes, corrections, modifications or improvements, to this document, and the products and services described herein at any time, without notice.

All ST products are sold pursuant to ST's terms and conditions of sale.

Purchasers are solely responsible for the choice, selection and use of the ST products and services described herein, and ST assumes no liability whatsoever relating to the choice, selection or use of the ST products and services described herein.

No license, express or implied, by estoppel or otherwise, to any intellectual property rights is granted under this document. If any part of this document refers to any third party products or services it shall not be deemed a license grant by ST for the use of such third party products or services, or any intellectual property contained therein or considered as a warranty covering the use in any manner whatsoever of such third party products or services or any intellectual property contained therein.

UNLESS OTHERWISE SET FORTH IN ST'S TERMS AND CONDITIONS OF SALE ST DISCLAIMS ANY EXPRESS OR IMPLIED WARRANTY WITH RESPECT TO THE USE AND/OR SALE OF ST PRODUCTS INCLUDING WITHOUT LIMITATION IMPLIED WARRANTIES OF MERCHANTABILITY, FITNESS FOR A PARTICULAR PURPOSE (AND THEIR EQUIVALENTS UNDER THE LAWS OF ANY JURISDICTION), OR INFRINGEMENT OF ANY PATENT, COPYRIGHT OR OTHER INTELLECTUAL PROPERTY RIGHT.

ST PRODUCTS ARE NOT DESIGNED OR AUTHORIZED FOR USE IN: (A) SAFETY CRITICAL APPLICATIONS SUCH AS LIFE SUPPORTING, ACTIVE IMPLANTED DEVICES OR SYSTEMS WITH PRODUCT FUNCTIONAL SAFETY REQUIREMENTS; (B) AERONAUTIC APPLICATIONS; (C) AUTOMOTIVE APPLICATIONS OR ENVIRONMENTS, AND/OR (D) AEROSPACE APPLICATIONS OR ENVIRONMENTS. WHERE ST PRODUCTS ARE NOT DESIGNED FOR SUCH USE, THE PURCHASER SHALL USE PRODUCTS AT PURCHASER'S SOLE RISK, EVEN IF ST HAS BEEN INFORMED IN WRITING OF SUCH USAGE, UNLESS A PRODUCT IS EXPRESSLY DESIGNATED BY ST AS BEING INTENDED FOR "AUTOMOTIVE, AUTOMOTIVE SAFETY OR MEDICAL" INDUSTRY DOMAINS ACCORDING TO ST PRODUCT DESIGN SPECIFICATIONS. PRODUCTS FORMALLY ESCC, QML OR JAN QUALIFIED ARE DEEMED SUITABLE FOR USE IN AEROSPACE BY THE CORRESPONDING GOVERNMENTAL AGENCY.

Resale of ST products with provisions different from the statements and/or technical features set forth in this document shall immediately void any warranty granted by ST for the ST product or service described herein and shall not create or extend in any manner whatsoever, any liability of ST.

ST and the ST logo are trademarks or registered trademarks of ST in various countries.

Information in this document supersedes and replaces all information previously supplied.

The ST logo is a registered trademark of STMicroelectronics. All other names are the property of their respective owners.

© 2014 STMicroelectronics - All rights reserved

STMicroelectronics group of companies

Australia - Belgium - Brazil - Canada - China - Czech Republic - Finland - France - Germany - Hong Kong - India - Israel - Italy - Japan - Malaysia - Malta - Morocco - Philippines - Singapore - Spain - Sweden - Switzerland - United Kingdom - United States of America

www.st.com

