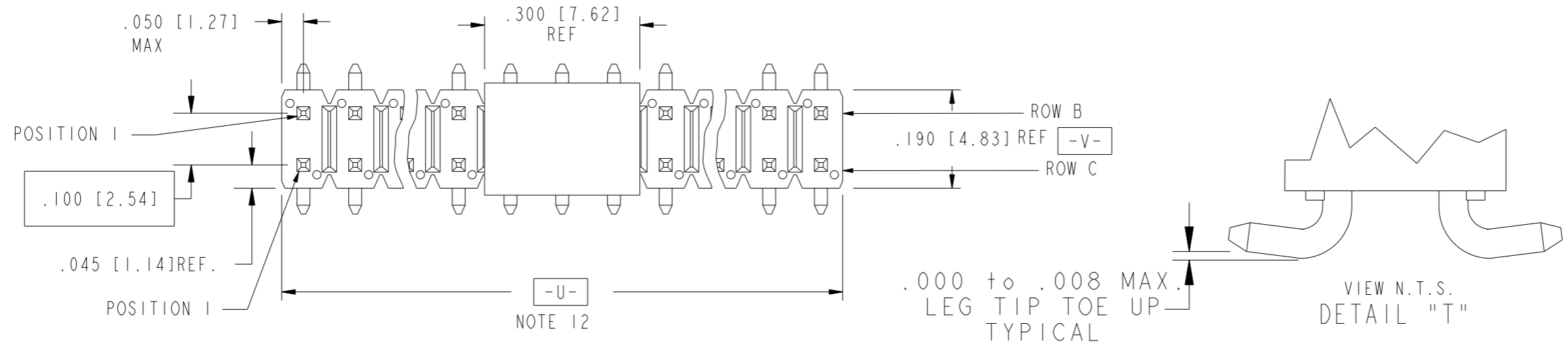
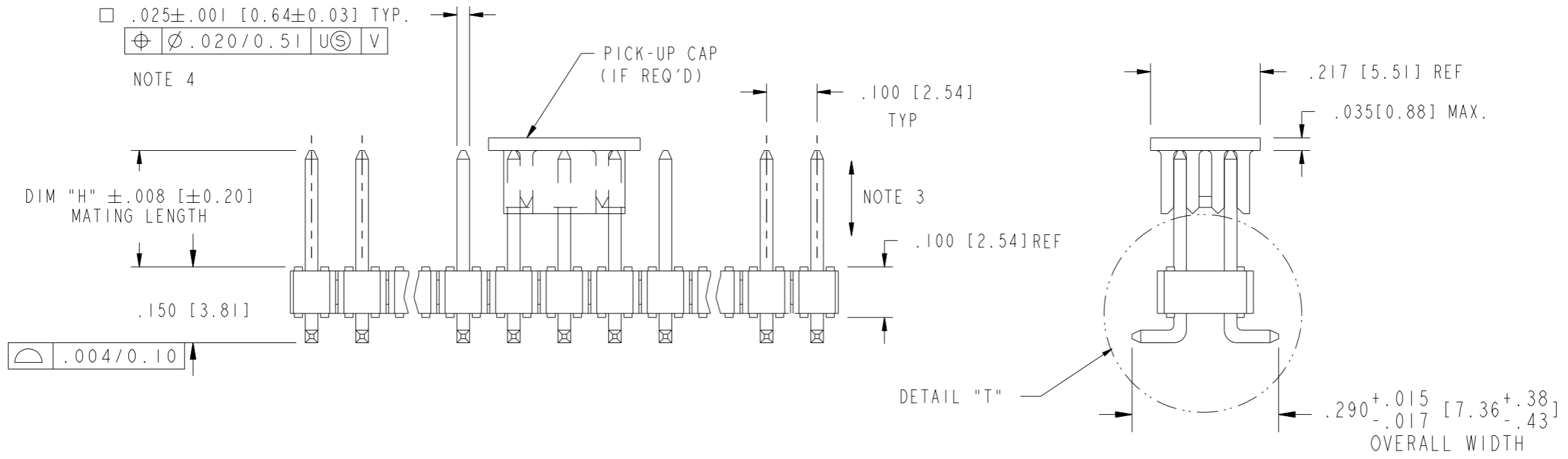


PRODUCT NO.  
XXXXX-XYYP XXX LF

- LEAD FREE OPTION (SEE NOTE 8 & 10)
- POLARIZATION NOTE 12
- PACKAGING OPTIONS (SEE NOTE 6)
- NO. OF POSITIONS (SEE NOTE 5)
- PLATING NUMBER (SEE SHEET 2)
- BASE PART NUMBER (SEE SHEET 4)



□ .025±.001 [0.64±0.03] TYP.  
 ⊕ ∅.020/0.51 UⓈ V  
 NOTE 4

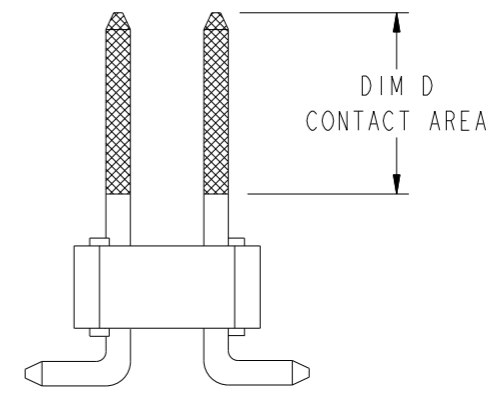


⌒ .004/0.10

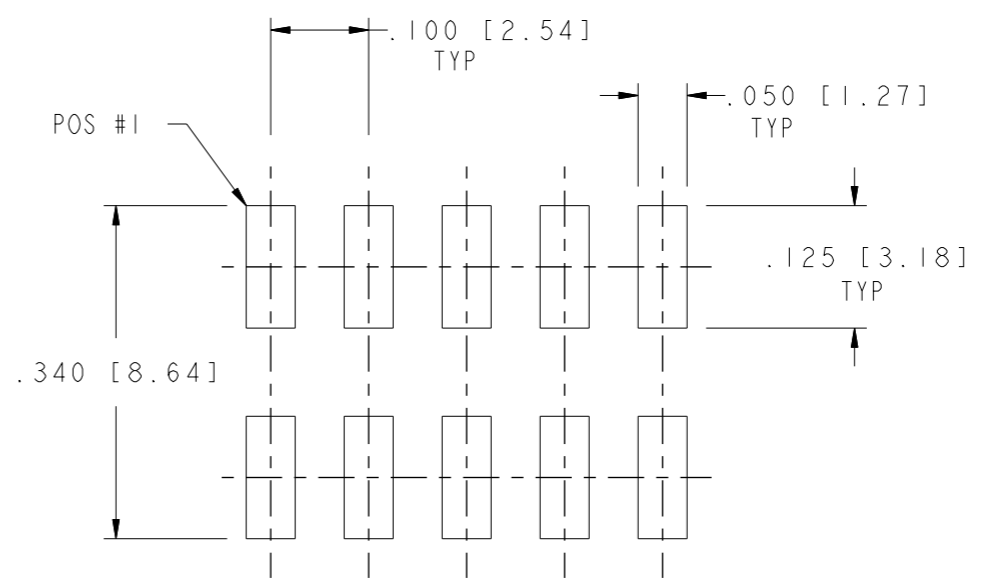
spec ref	dr	Yong Huang	2010/10/25	projection	INCH/MM	size	A3	scale	2:1
tolerance std	eng	Henry Guo	2014/06/06			ecn no	ELX-N-17855-1	rel level	Released
TOLERANCES UNLESS OTHERWISE SPECIFIED		chr	-						
surface	linear	.XX/0.X	±0.01/±0.3		.100cc DUPLEX VERT. SMT	dwg no	95157	rev	AJ
		.XXX/0.XX	±0.005/±0.13						
		.XXXX/0.XXX	±0.002/±0.05						
	angular	0°	±2°	www.fci.com	cat. no.	Product - Customer Drw	sheet 1 of 5		

PRODUCT NUMBER	CONTACT AREA "DIM D" PLATING	TAIL PLATING
XXXXX-1YY	30u"/0.76u Au OVER 50u"/1.27u Ni.	100u"/2.54u MATTE TIN OVER 50u"/1.27u Ni.
XXXXX-2YY	15u"/0.38u Au OVER 50u"/1.27u Ni.	100u"/2.54u MATTE TIN OVER 50u"/1.27u Ni.
XXXXX-1YYLF	30u"/0.76u Au OVER 50u"/1.27u Ni.	100u"/2.54u MATTE TIN OVER 50u"/1.27u Ni.
XXXXX-2YYLF	15u"/0.38u Au OVER 50u"/1.27u Ni.	100u"/2.54u MATTE TIN OVER 50u"/1.27u Ni.
XXXXX-4YYLF	100u"/2.54u" min Matte Tin OVER 50u"/1.27u min Ni.	100u"/2.54u MATTE TIN OVER 50u"/1.27u Ni.

(NOTE 11 & 13)  
 (NOTE 11 & 13)  
 (NOTE 11 & 13)  
 (NOTE 11 & 13)  
 (NOTE 11)



DOUBLE ROW SMT  
END VIEW



DOUBLE ROW  
RECOMMENDED PAD LAYOUT  
SCALE: 4/1

NOTES:

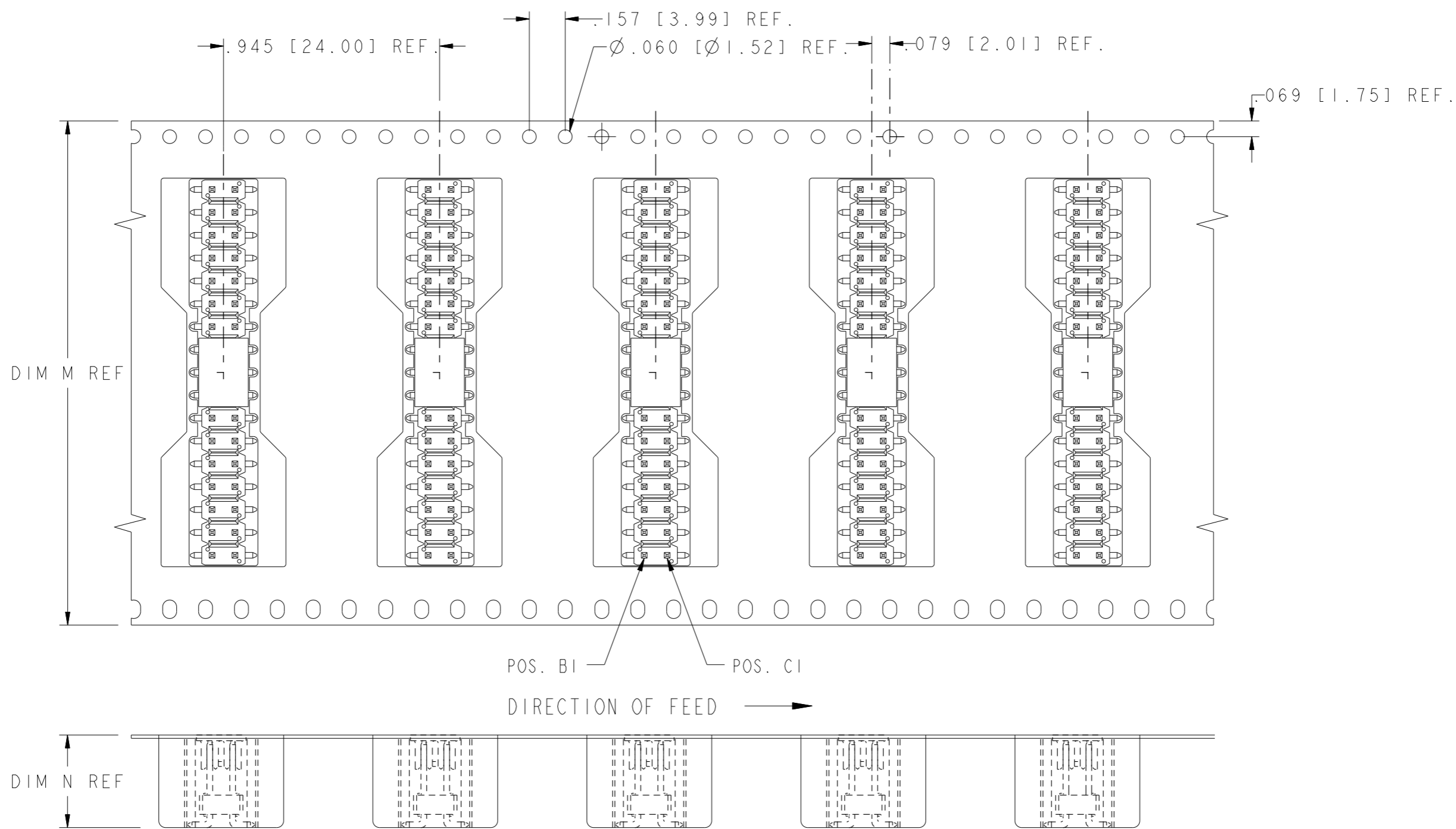
- ① BODY MATERIAL: GLASS FIBER REINFORCED PCT OR PA46 FLAME RETARDENT PER UL-94V-0. COLOR: BLACK  
OR  
MINERAL FILLED LCP FLAME RETARDENT PER UL-94V-0. COLOR: BLACK
- ② PIN MATERIAL: PHOS-BRONZE.
- ③ 2 Lbs / 0.9 Kg MIN PIN RETENTION IN EITHER DIRECTION.
- ④ MEASURED WITH PART IN RESTRAINED CONDITION.
- ⑤ NUMBER OF POSITIONS FROM 4(2X2) THRU 40(2X20) EXCEPT TAPE-ON-REEL AVAILABLE 4(2X2) THRU 34(2X17) ONLY.
- ⑥ PACKAGING OPTIONS: CHECK SPECIFIC PART NUMBERS FOR AVAILABILITY. PART NUMBERS WITHOUT A SUFFIX ARE PACKAGED IN POLY BAGS. PART NUMBERS FOLLOWED BY A "T" SUFFIX ARE PACKAGED IN TUBES. PART NUMBERS FOLLOWED BY A "V" SUFFIX ARE PACKAGED TAPE-ON-REEL WITH A PICK-UP CAP INSTALLED CETRALLY LOCATED. PART NUMBERS FOLLOWED BY A "VM" SUFFIX ARE PACKAGED DIFFERENT TAPE-ON-REEL WITH A PICK-UP CAP INSTALLED CETRALLY LOCATED. AVAILABLE PART NUMBERS SEE TAB. PART NUMBERS FOLLOWED BY A "W" SUFFIX ARE PACKAGED TAPE-ON-REEL WITHOUT A PICK-UP CAP.
- ⑦ CONTACT MARKETING BEFORE ORDERING ODD POSITION PART NUMBERS (2X3,2X5,2X7,ETC.).
- ⑧ ADD LF TO THE END OF PART NUMBER FOR LEAD FREE OPTION.
- ⑨ THE HOUSING WILL WITHSTAND EXPOSURE TO 260°C PEAK TEMPERATURE FOR 20 SECONDS IN A CONVECTION, INFRA-RED OR VAPOR PHASE REFLOW OVEN. SEE APPLICATION NOTES/PROCEDURES IF THEY ARE AVAILABLE.
- ⑩ THESE PRODUCTS MEETS EUROPEAN UNION DIRECTIVES AND OTHER COUNTRY REGULATION AS DESCRIBED IN GS-22-008.
- ⑪ "THIS PRODUCT HAS 100% MATTE TIN PLATING IN THE INTERFACE AND HAS NOT BEEN TESTED FOR WISKER GROWTH IN ALL INTERCONNECT ENVIROMENTS".
- ⑫ FOR POLARIZATION SPECIFY POSITION NUMBER (i.e. B03 = ROW B POSITION 3) TO OMIT AN OMIT FROM PRODUCT NUMBER IF THIS TEXTURE IS NOT APPLICABLE PRODUCT MANAGER APPROVAL REQUIRED PRIOR TO RELEASE OR SALE OF POLARIZED PRODUCTS.
- ⑬ PLATING OPTIONS: MAY BE EITHER GOLD OR GXT PLATED AT MANUFACTURER'S OPTION.

dr	Yong Huang	2010/10/25	projection	INCH/MM	size	A3	scale	DRAWING SCALE
eng	Henry Guo	2014/06/06			ecn no	ELX-N-17855-1		
chr	-	-	product family	← →	rel level	Released		
appr	Rick Bian	2014/06/11			rev	AJ		
www.fci.com		cat. no.	Product - Customer Drw		sheet 2 of 5			

**FCI** BERGSTIC II HEADER DR .100cc DUPLEX VERT. SMT  
 dwg no 95157

Copyright FCI.

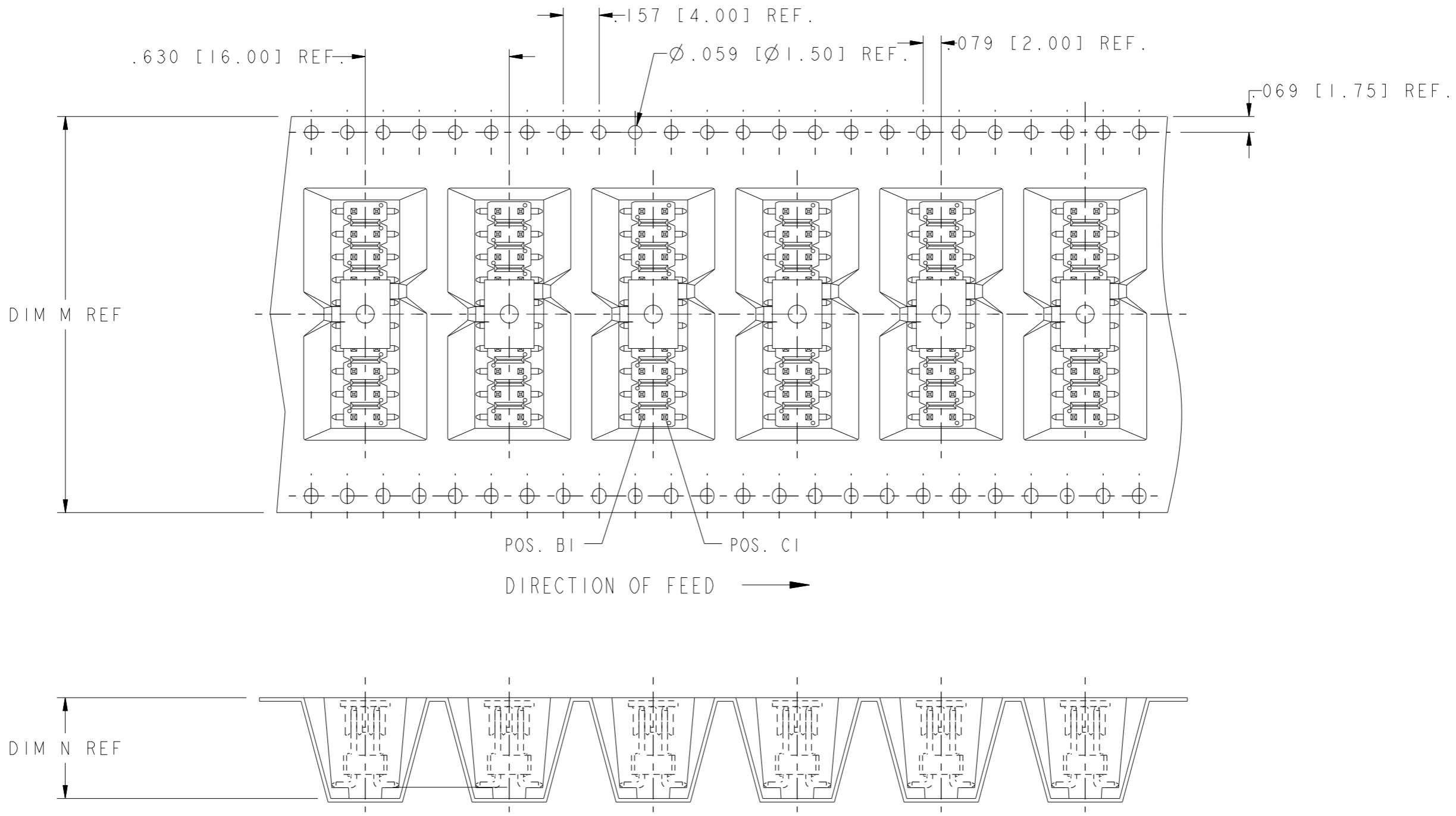
PRODUCT NUMBER  
SEE TABLE



Copyright FCI.

dr	Yong Huang	2010/10/25	projection INCH/MM	size	A3	scale	DRAWING SCALE
eng	Henry Guo	2014/06/06		ecn no	ELX-N-17855-1		
chr	-	-	product family	rel level	Released		
appr	Rick Bian	2014/06/11		title	BERGSTIC II HEADER DR		rev
www.fci.com		cat. no.	dwg no	95157		sheet 3 of 5	

PRODUCT NUMBER  
SEE TABLE



Copyright FCI.

dr	Yong Huang	2010/10/25	projection 	size A3	scale DRAWING SCALE
eng	Henry Guo	2014/06/06			
chr	-	-	product family	ecn no ELX-N-17855-1	rel level Released
appr	Rick Bian	2014/06/11			
			title BERGSTIC II HEADER DR .100cc DUPLEX VERT. SMT		dwg no 95157
<a href="http://www.fci.com">www.fci.com</a>			cat. no.	Product - Customer Drw	sheet 4 of 5

	1		2		3		4		
	PRODUCT NUMBER	MATING LENGTH DIM H	CONTACT AREA DIM D	TAPE WIDTH DIM M	POCKET PITCH	POCKET DEPTH DIM N	PACKAGING	LF OPTION	
A	55426-XXY	NOT AVAILABLE							SEE NOTES 8, 9, 10
	72598-XXX	.330/8.38	.200/5.08	-/-	-/-	-/-	POLY BAGS		
	84731-XXX	NOT AVAILABLE							
	84733-XXX	NOT AVAILABLE							
B	95157-XXX	.230/5.84	.185/4.70	2.205/56.00	.945/24.0	.43/11.0	POLY BAGS/TAPE-ON-REEL/TUBES		
	95157-210V	.230/5.84	.185/4.70	1.26/32	.945/24.0	.43/11.0	TAPE ON REEL		
	95157-216V	.230/5.84	.185/4.70	1.73/44	.945/24.0	.43/11.0	TAPE ON REEL		
	95157-X10VM	.230/5.84	.185/4.70	.945/24	.630/16.0	.441/11.2	TAPE ON REEL		
	95157-X14VM	.230/5.84	.185/4.70	1.73/44	.630/16.0	.441/11.2	TAPE ON REEL		
	95157-X16VM	.230/5.84	.185/4.70	1.73/44	.630/16.0	.441/11.2	TAPE ON REEL		
	95157-X20VM	.230/5.84	.185/4.70	1.73/44	.630/16.0	.441/11.2	TAPE ON REEL		
	95159-XXX	.318/8.08	.200/5.08	2.205/56.00	.945/24.0	.52/13.2	POLYBAGS/TAPE-ON-REEL/TUBES	NOTE 7	
	98273-XXX	.360/9.14	.200/5.08	-/-	.945/24.0	-/-	POLY BAGS		
	C	71276-XXYH	.230/5.84	.200/5.08	2.205/56.00	.945/24.0	.433/11.00	POLY BAGS/TAPE ON REEL	
		71276-408HV	.230/5.84	.200/5.08	.945/24.00	.945/24.0	.433/11.00	TAPE ON REEL	
		71276-410HV2	.230/5.84	.200/5.08	.945/24.00	.945/24.0	.415/10.54	TAPE ON REEL	
71277-XXYH		.318/8.08	.288/7.32	2.205/56.00	.945/24.0	.524/13.28	POLY BAGS/TAPE ON REEL, NOTE 7		
71276-XXYHLF		.230/5.84	.200/5.08	2.205/56.00	.945/24.0	.433/11.00	POLY BAGS/TAPE ON REEL		
71276-408HVLF		.230/5.84	.200/5.08	.945/24.00	.945/24.0	.433/11.00	TAPE ON REEL		
71276-410HV2LF		.230/5.84	.200/5.08	.945/24.00	.945/24.0	.415/10.54	TAPE ON REEL		
D	71277-XXYHLF	.318/8.08	.288/7.32	2.205/56.00	.945/24.0	.524/13.28	POLY BAGS/TAPE ON REEL, NOTE 7		



Copyright FCI.

dr	Yong Huang	2010/10/25	projection	INCH/MM	size	A3	scale	DRAWING SCALE	
eng	Henry Guo	2014/06/06			ecn no	ELX-N-17855-1			
chr	-	-			rel level	Released			
appr	Rick Bian	2014/06/11	product family						
		BERGSTIC II HEADER DR .100cc DUPLEX VERT. SMT			dwg no	95157		rev	AJ
www.fci.com		cat. no.	Product - Customer Drw			sheet 5 of 5			