

**PLEASE CHECK WWW.MOLEX.COM FOR LATEST PART INFORMATION**

**Part Number:** [0350449102](#)  
**Status:** **Active**  
**Overview:** [Board-in Connectors](#)  
**Description:** 2.00/2.50mm Board-in Terminal, Pre-Tin Plating, Wire Insulation Diameter 1.50mm max.

**Documents:**

[Drawing \(PDF\)](#) [Packaging Specification PK-35044-001-001 \(PDF\)](#)  
[Product Specification PS-35516-001-001 \(PDF\)](#) [RoHS Certificate of Compliance \(PDF\)](#)  
[Product Specification PS-68418-001-001 \(PDF\)](#)

**General**

Product Family [Crimp Terminals](#)  
Series [35044](#)  
Application [Signal, Wire-to-Board](#)  
Crimp Quality Equipment [Yes](#)  
Overview [Board-in Connectors](#)  
Product Name [Board-in](#)  
UPC [800754787338](#)

**Physical**

Gender [Male](#)  
Material - Metal [Brass](#)  
Material - Plating Mating [Tin](#)  
Material - Plating Termination [Tin](#)  
Net Weight [0.033/g](#)  
Packaging Type [Reel](#)  
Plating min - Mating [0.889µm](#)  
Plating min - Termination [0.889µm](#)  
Termination Interface: Style [Crimp or Compression](#)  
Wire Insulation Diameter [1.50mm max.](#)  
Wire Size AWG [24, 26, 28](#)  
Wire Size mm<sup>2</sup> [N/A](#)

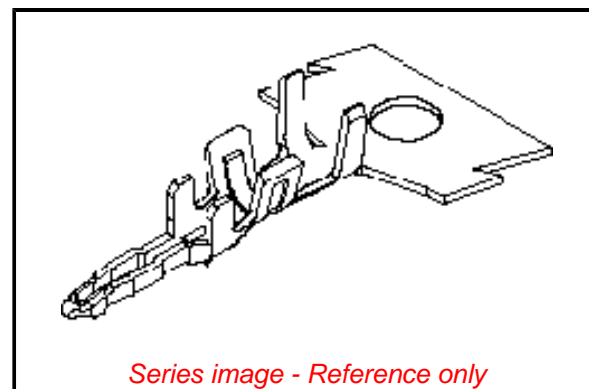
**Electrical**

Current - Maximum per Contact [2.5A](#)  
Voltage - Maximum [125V](#)

**Material Info**

**Reference - Drawing Numbers**

Crimp Specification [CS-35044-001-001](#)  
Packaging Specification [PK-35044-001-001](#)  
Product Specification [PS-35516-001-001, PS-68418-001-001](#)  
Sales Drawing [SD-35044-001-001](#)



**EU ELV**

**Not Relevant**

**EU RoHS**

**Compliant**

**REACH SVHC**

Not Contained Per -  
D(2021)10043-DC (17  
Jan 2022)

**Halogen-Free**

**Status**

**Low-Halogen**

For more information, please visit [Contact US](#)

China ROHS

ELV

RoHS Phthalates

**China RoHS**

Green Image

Not Relevant

Not Contained

**Search Parts in this Series**

[35044 Series](#)

**Use With**

[35023 Housing](#)

**Application Tooling | FAQ**

*Tooling specifications and manuals are found by selecting the products below. Crimp Height Specifications are then contained in the Application Tooling Specification document.*

**Global**

**Description**

**Product #**

Hand Crimp Tool for 2.00mm Pitch Board-In Crimp Terminals, 24AWG, UL1007 and UL1061 Wire	<a href="#">2133092400</a>
Hand Crimp Tool for 2.00mm Pitch Board-In Crimp Terminals, 0.22mm <sup>2</sup> and 0.35mm <sup>2</sup> , FLRY-A Wire	<a href="#">2133092500</a>

Hand Crimp Tool for 2133092900  
2.00mm Pitch Board-  
In Crimp Terminals,  
26 AWG, UL1007  
and UL1061 Wire  
Hand Crimp Tool for 2133093600  
2.00mm Board-In  
Crimp Terminals, 28  
AWG, UL1007 and  
UL1061 Wire  
T2 Terminator 638537000  
Tooling Die  
FineAdjust Applicator638637000

This document was generated on 04/01/2022

**PLEASE CHECK [WWW.MOLEX.COM](http://WWW.MOLEX.COM) FOR LATEST PART INFORMATION**