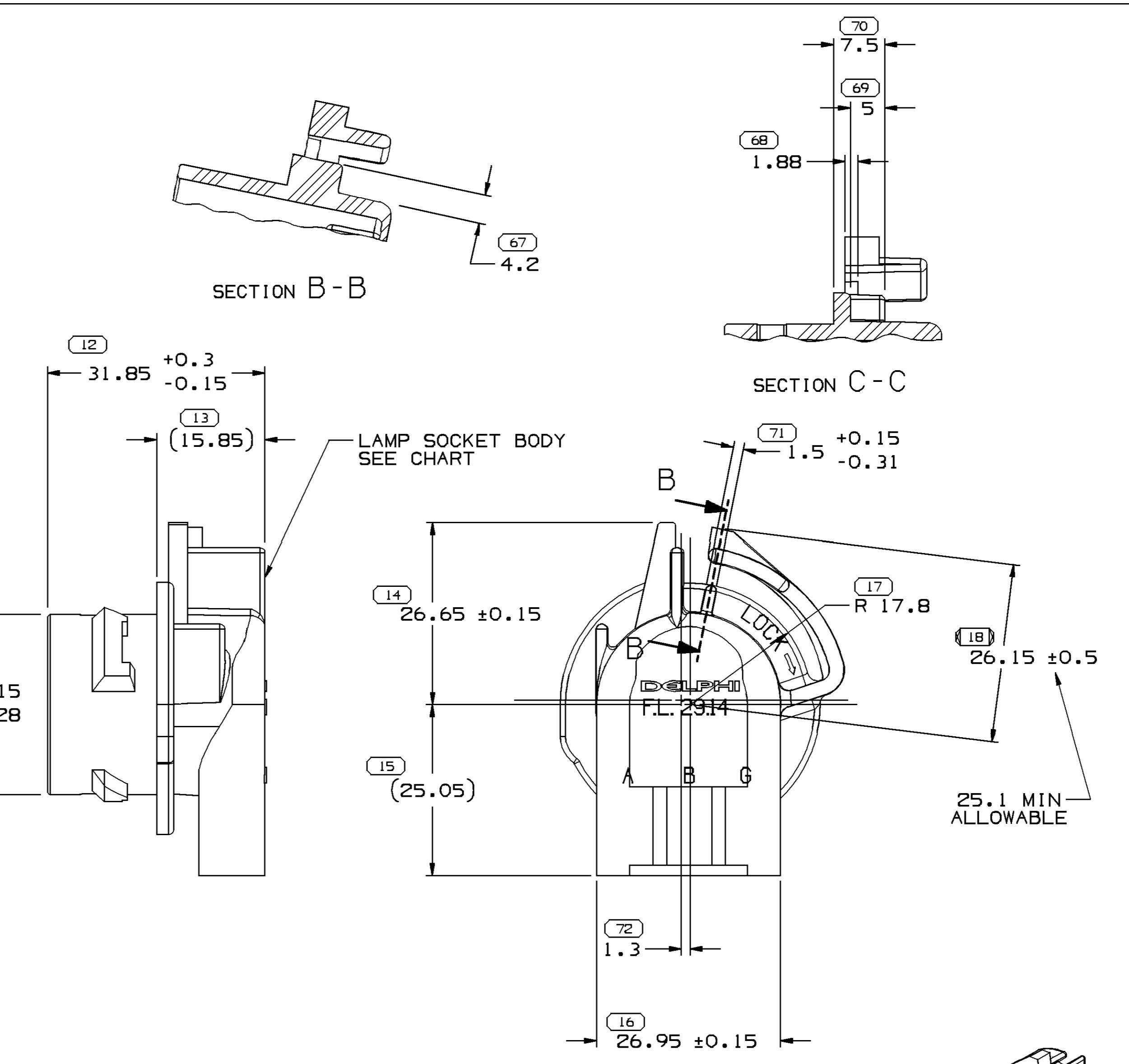
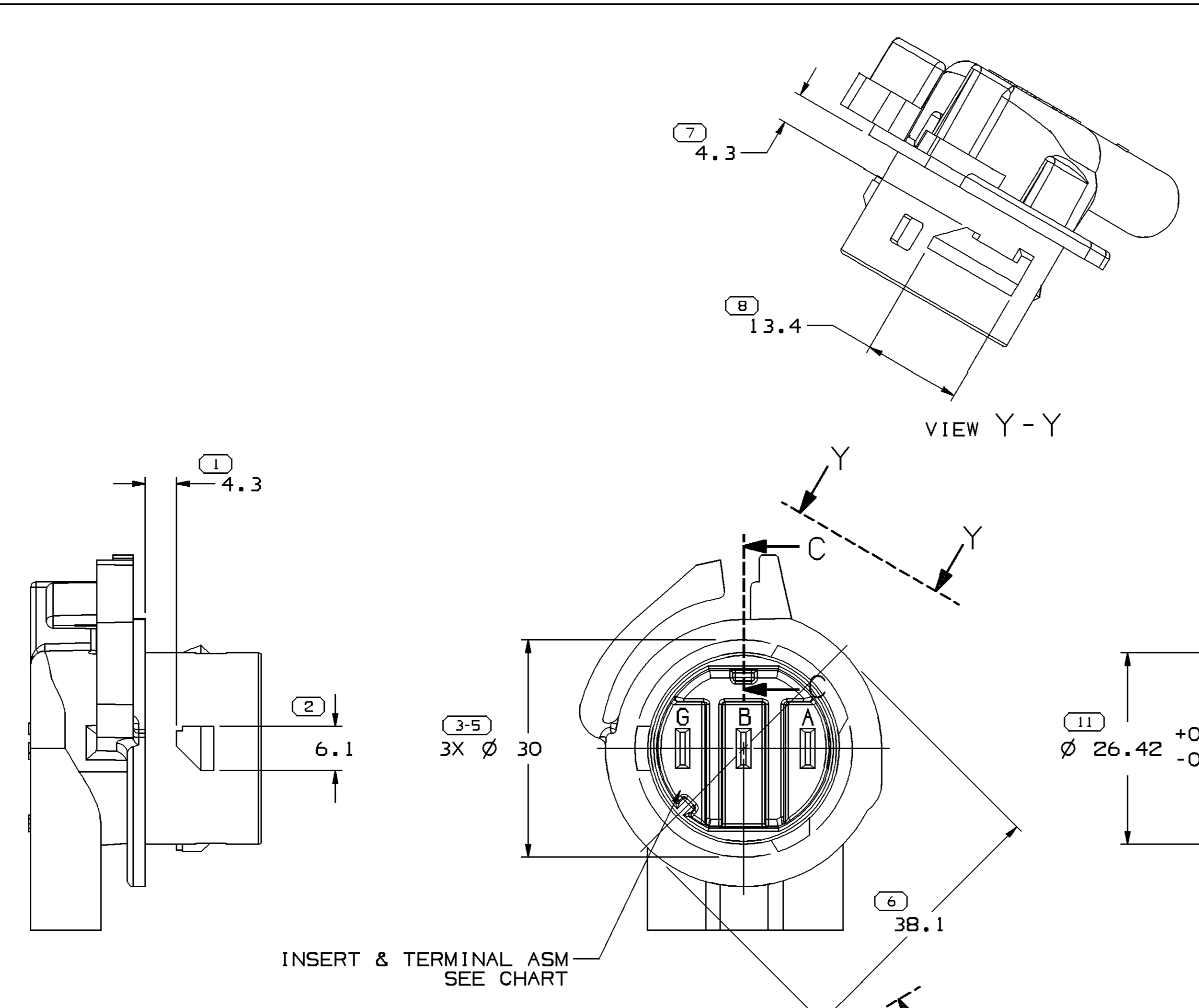
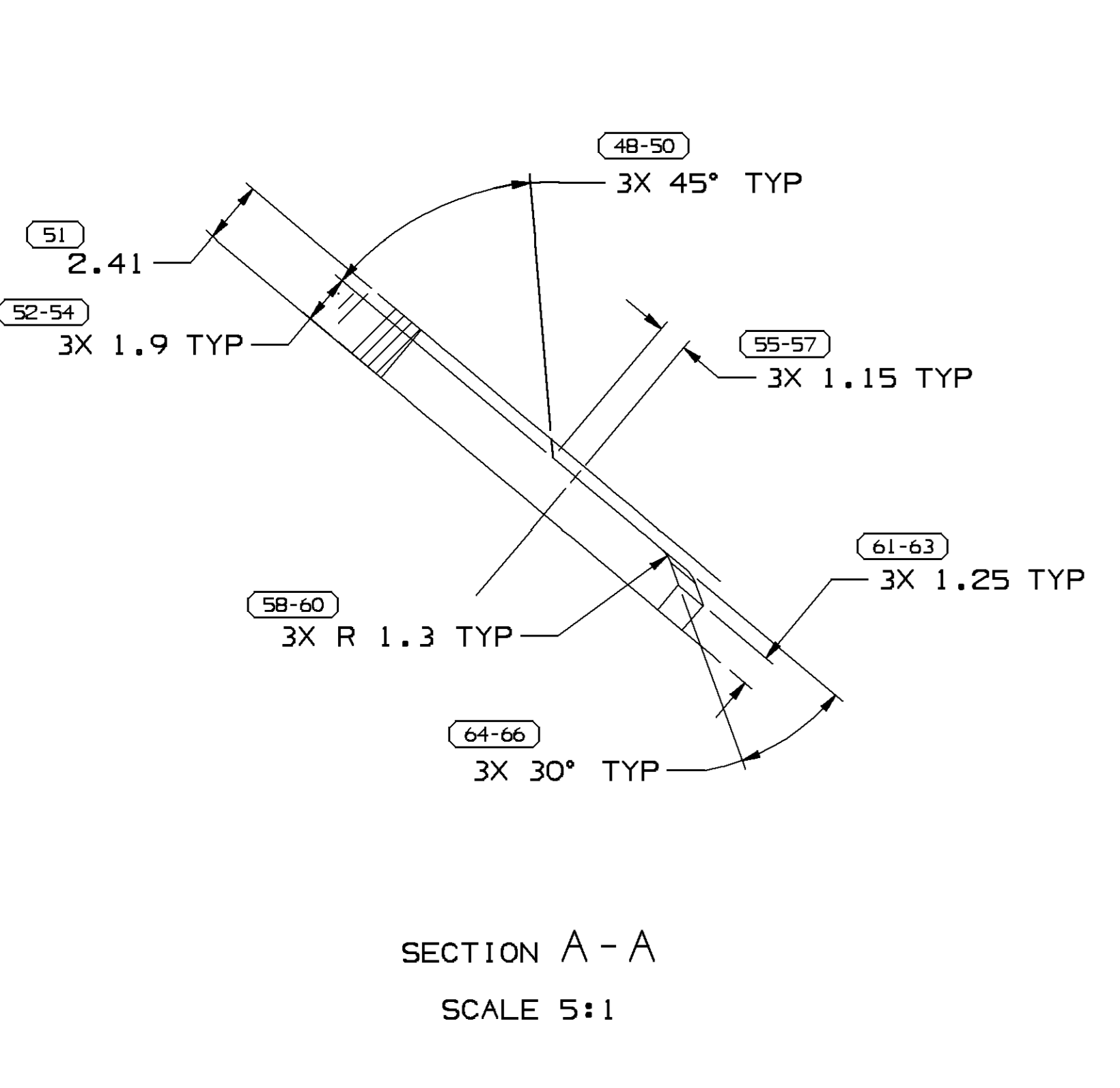


SYMBOL DEFINITION		MISSING NUMBERS	
A DIMENSION WITHOUT AN INSPECTION REPORT SYMBOL () DOES NOT REQUIRE INSPECTION. IT MAY BE CONTROLLED ON AN INDIVIDUAL COMPONENT DRAWING.	TOTAL NO. OF SYMBOLS ON DRAWING	52	
	LAST NO. USED	72	

DATE	STG	REV	N/P	CHG	ZONE	REVISION HISTORY	AUTH	DR	AP/VD	AP/VD 2
02AP02	R	05	-	-	-	ALL ACTIVE PARTS - ADDED RIBS (2 PLCS) & REVISED MAT'L SPEC	223135	RVP	RVP	AL
23AP02	R	06	-	-	-	ALL ACTIVE PARTS - DIM 1.88 WAS 1.25	224281	RVP	RVP	AL
09JA03	R	07	-	-	-	ALL ACTIVE PARTS - DIM 1.5 +0.15/-0.31 WAS 1.5 & DIM 26.15 +0.5/-0.64 WAS 26.15 ±0.5	235293	AFM	EVO	AL
02AP03	R	08	-	-	-	ALL ACTIVE PARTS - Ø 26.42 +0.15/-0.28 WAS Ø 26.42 ±0.15	239178	EVO	EVO	FR
30AP03	R	09	-	-	-	15354681 - REACTIVATED	240299	EES	EES	MEF
09MY05	R	10	-	-	-	ALL PARTS - 26.15 +/-0.5 WAS 26.15 +0.5/-0.64 AND ADDED 25.1 MIN ALLOWABLE NOTE	267661	RTV	JAA	MEF
26DE06	R	11	-	-	-	15324085 - OBSOLETE	288192	RM0	FR0	061



- NOTES
- UNLESS OTHERWISE SPECIFIED AND/OR INDICATED: DIMENSIONS ARE TO FACE OF VIEW SHOWN AND AUTOMATICALLY ROUNDED BY COMPUTER FOR INSPECTION (SEE MATH MODEL FOR PRECISE DIMENSIONS). FOR ALL OTHER DIMENSIONS NOT SHOWN BUT REQUIRED FOR TOOL BUILD, SEE MATH MODEL FOR PRECISE TOOL PATH DATA.
 - THIS PART IS NOT CONTROLLED FOR AUTOMATIC FEEDING.
 - SEE CHART FOR MATING INSERT ASSEMBLY INFORMATION
 - THIS PART ACCEPTS THE FOLLOWING COMPONENTS OR EQUIVALENT: CABLE SEAL 12015323 GASKET 12129909 CAVITIES TO ACCEPT TERMINAL 12066638 SEE CABLE SEAL DRAWING FOR COMPATIBLE O.D. RANGE
 - MATERIAL RECYCLING CODE PER ISO 11469, SEE CHART. (2.3)X(0.25) RAISED CHARACTERS AS SHOWN TO BE LOCATED ON ANY EXTERIOR SURFACE. OPTIONAL CONSTRUCTION TO BE NO MATERIAL RECYCLING CODE.
 - SOCKET LOCK ARM IS NOT REQUIRED TO ENGAGE HOUSING LOCK TOWER FOR SOCKET RETENTION WHEN USING SEAL 12129909 OR EQUIVALENT, BUT IS REQUIRED WHEN USING FOAM GASKET 12020720 OR EQUIVALENT
 - (2.3)X(0.25) RAISED DELPHI CORPORATE BRAND TO BE LOCATED ON ANY EXTERIOR SURFACE, PREFERABLY VISIBLE AT FINAL ASSEMBLY. OPTIONAL CONSTRUCTION TO BE "PED" OR NO LOGO.

PART NO	REV	N/P	STATUS	MATERIAL SPECIFICATION AND COLOR	MAT'L REC CODE	INSERT ASM P/N	INSERT COLOR	VOL CM³
15354865	03	AD		M4695001 PBT NAT	PBT	15354683	GRA	9.817
15354681	02	AA		M2965002 PPA IM-BLK	PPA	15354683	GRA	9.817
15324085	03	AE	OBSOLETE	M3592002 PA66 HS IM NAT	PA66	12177163	BETGE	9.817
12186254	04	AD		M3592001 PA66 HS IM BLK	PA66	12186433	BLK	9.817
12160395	06	AD		M3592025 PA66 HS IM GRA MD	PA66	12177163	BETGE	9.817

DIMENSIONAL RANGE (MM)	TOLERANCE UNLESS OTHERWISE SPECIFIED
FROM > 0 TO > 20	±0.15
> 20 TO > 30	±0.2
> 30 TO > 70	±0.3
> 70 TO > 100	±0.4
> 100 TO > 150	±0.5
> 150 TO > 200	±0.6
> 200 TO > 250	±0.8
> 250 TO > 300	±1.0
> 300 TO > 400	±1.2

DELPHI
DELPHI PACKARD ELECTRIC SYSTEMS
WARREN, MI

DR	DATE
APV01 J. ALVARADO	29FEO0
APV02 M. VEGA	29FEO0
APV03 M. FRANCIS	02MRO0
APV04	
APV05	

SEE DRAWING

DRAWING NAME: TAXI CONN F LP SOC WEDGE SLD W3

DRAWING NUMBER: 12186257

SCALE: 2:1

FRM NO: 1 OF 1

SHEET NO: 1 OF 1

REV N/P: 1 R 11 -

Mouser Electronics

Authorized Distributor

Click to View Pricing, Inventory, Delivery & Lifecycle Information:

[Aptiv:](#)

[12160395](#)