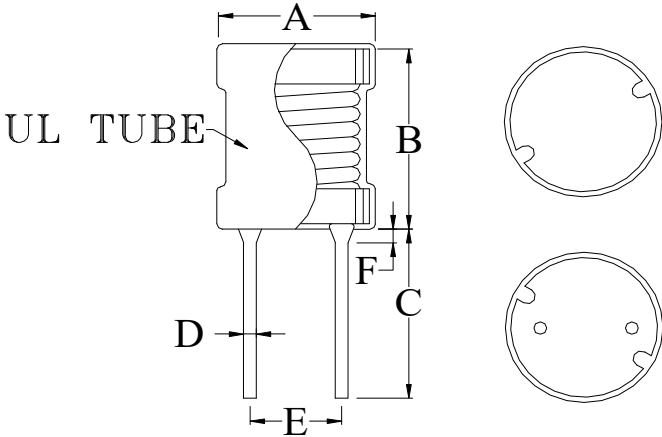


COMMODITY	PK CHOKE	SPEC NO.	SP-0160325015
ITEM	COIL1010-0.18	Green	

(1) DIMENSION: (UNIT: mm)		DIM.	TOL.
	A	11.5	MAX.
	B	11.5	MAX.
	C	16.0	±3.0
	D	0.8	±0.1
	E	5.0	±0.5
	F	3.0	MAX.
	G		
	H		
	I		
	J		

(2) ELECTRICAL CHARACTERISTIC			TEST INSTRUMENTS.
INDUCTANCE	180 ± 10%	μ H	<input checked="" type="checkbox"/> AGILENT 4294A Precision Impedance Analyzer.
TEST FREQUENCY	1	KHz	<input type="checkbox"/> AGILENT 4285A Precision L.C.R. Meter. <input type="checkbox"/> HP-4286A RF L.C.R. Meter.
TEST VOLT	0.25	V	<input checked="" type="checkbox"/> ZENTECH 3302 Automatic Components Analyzer.
RDC	280 (max)	mΩ	<input type="checkbox"/> ZENTECH 101 L.C.R. Meter. <input type="checkbox"/> WAYNE KERR 6420 Precision Impedance Analyzer.
Isat	1.2 (max)	A	<input checked="" type="checkbox"/> ZENTECH 1320 BIAS CURRENT.
Irms	2 (max)	A	<input checked="" type="checkbox"/> ZENTECH 502AC Resistance Merter. <input type="checkbox"/> ADEX AX-1155B DC Low Ohm Meter.

REMARK :

1. Inductance drop = 10% typ at Isat.
2. ΔT = 40°C rise typ at Irms.