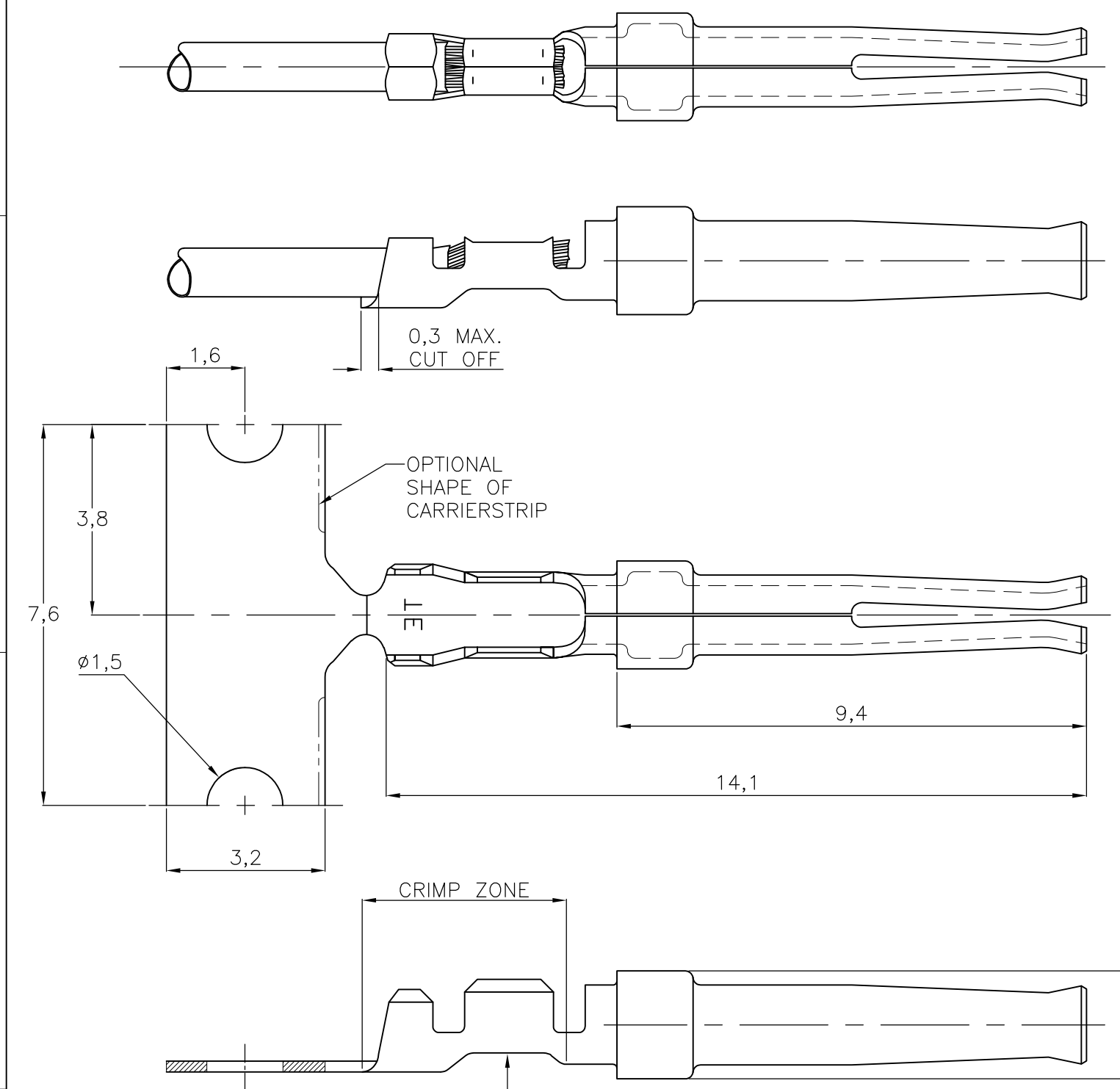


THIS DRAWING IS UNPUBLISHED. RELEASED FOR PUBLICATION
 © COPYRIGHT - By - ALL RIGHTS RESERVED.

LOC	DIST	REVISIONS					
GP	00	P	LTR	DESCRIPTION	DATE	DWN	APVD
		N		REVISED PER ECO-11-020101	10APR2012	CJV	CWR

NOTES:

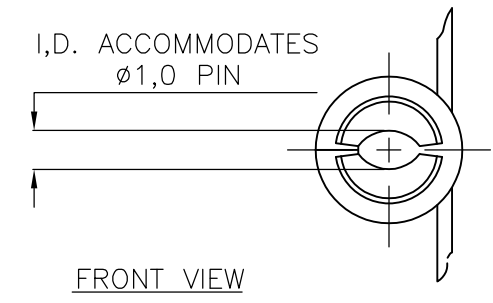
- 1 FOR MINI-APPLICATOR-12500 PCS REEL.
- 2 FOR REEL-FEED HAND TOOLING-500 PCS REEL.
- 3 FOR HAND TOOLING- LOOSE PIECE.
- 4. MATERIAL: PHOSPHORBRONZE.
- 5 FINISH:
 - Ni UNDERPLATING ALL OVER.
 - CONTACT AREA PLATING MEETS IEC-807-3 PERFORMANCE LEVEL 2.
 - CRIMP ZONE Sn PLATED.



WIRE RANGE: 24-20 AWG(0,56-0,20mm²)
 INSUL. RANGE: 1,27-1,52 DIA

5	166291-1	5-166051-1	166051-1
FINISH	LOOSE-PIECE 3	PART NUMBER 2	PART NUMBER 1
DWN	-	TE Connectivity	
CHK	21AUG08		
APVD	T.MALCZYK	NAME	
APVD	T.DE BOER	SOCKET CONTACT, SIZE 20 DF.	
PRODUCT SPEC	108-40005	-	
APPLICATION SPEC	114-10000	SIZE	CAGE CODE
WEIGHT	-	A3	00779
CUSTOMER DRAWING		DRAWING NO	RESTRICTED TO
		C-166051	-
		SCALE	SHEET
		NTS	1 OF 1
		REV	N

THIS DRAWING IS A CONTROLLED DOCUMENT.	
DIMENSIONING AND TOLERANCING PER ASME Y14.5M-2009	
DIMENSIONS: mm	TOLERANCES UNLESS OTHERWISE SPECIFIED:
	0 PLC ± -
	1 PLC ± 0,127
	2 PLC ± -
	3 PLC ± -
	4 PLC ± -
	ANGLES ± -
MATERIAL	FINISH
-	-



Mouser Electronics

Authorized Distributor

Click to View Pricing, Inventory, Delivery & Lifecycle Information:

[TE Connectivity:](#)

[166051-1](#)